



HOW TO USE THIS INSTALL GUIDE

- 1** Open the Bookmarks menu and find your vehicle OR scroll down until you find the install guide for your vehicle.
- 2** Print only the pages for your vehicle using the advanced options in the Print menu.
- 3** Install your Maestro RR according to the guide for your vehicle.

WARNING

Pressing the printer icon or “quick printing” this document will print all of the guides in this compilation.

RETAINS STEERING WHEEL CONTROLS AND ADDS GAUGES



PRODUCTS REQUIRED

iDatalink Maestro RR or RR2 Radio Replacement Interface
iDatalink Compatible Radio

PROGRAMMED FIRMWARE

ADS-RR(SI)-MAZ01-DS

ADDITIONAL RESOURCES

[Maestro RR2 Programmable Outputs Guide](#)

OPTIONAL ACCESSORIES



Click here for:
[Radar Installation Guides](#)

WELCOME

Congratulations on the purchase of your iDatalink Maestro RR Radio replacement solution. You are now a few simple steps away from enjoying your new car radio with enhanced features.

Before starting your installation, please ensure that your iDatalink Maestro module is programmed with the correct firmware for your vehicle and that you carefully review the install guide.

Please note that Maestro RR will only retain functionalities that were originally available in the vehicle.

NEED HELP?

 1 866 427-2999

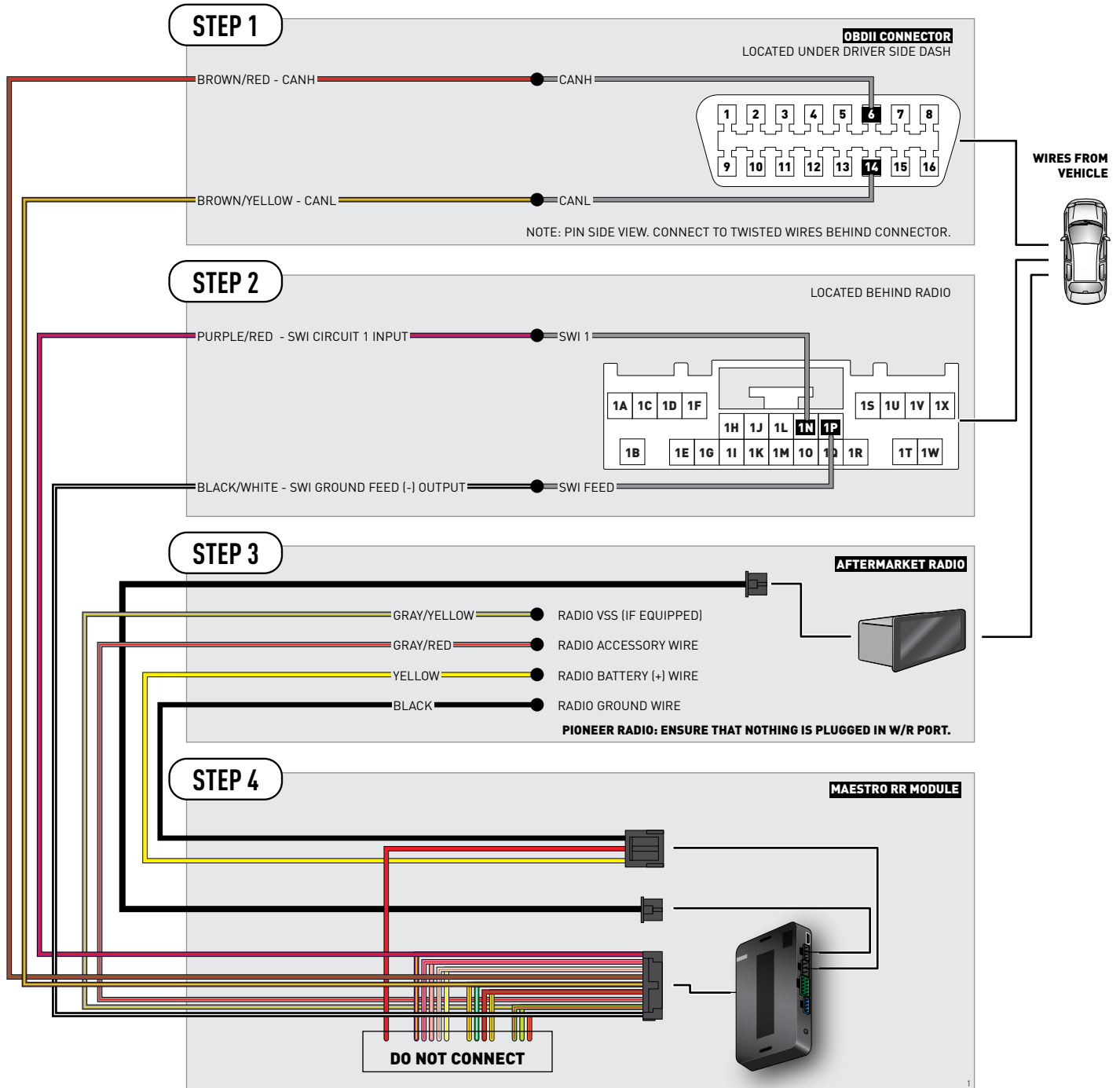
 maestro.support@idatalink.com

 maestro.idatalink.com/support
www.12voltdata.com/forum

TABLE OF CONTENTS

Wiring Diagram	3
Vehicle Wire Reference Chart	4
Troubleshooting Table	5

WIRING DIAGRAM



NOT REQUIRED



VEHICLE WIRE REFERENCE CHART

Wire Description	Connector Name	Connector Color	Connector Type	Position	Wire Color	Polarity	Wire Location
CanH	A	~	16 pin	06	Red	(DATA)	OBDII connector, under driver side dash
CanL	A	~	16 pin	14	Blue	(DATA)	OBDII connector, under driver side dash
SWI 1	B	~	24 pin	1N	Red/Black	(DATA)	Behind radio
SWI Feed	B	~	24 pin	1P	Green/White	(-)	Behind radio

TROUBLESHOOTING TABLE

PROBLEM	SOLUTION
Maestro features/steering wheel controls stop working after a few seconds.	Ensure the GRAY/RED wire on the 18 pin connector of the RR is connected to accessory power.
Gauges do not work, radio shows OBD2 Error 1 or Error 2.	<p>Ensure the BROWN/RED and BROWN/YELLOW wires are connected to the OBDII (NOT the red/brown and yellow/brown wires).</p> <p>Check connections at the OBDII connector. Make sure the BROWN/RED wire is on PIN 6 and the BROWN/YELLOW wire is connected to PIN 14 of the OBDII connector. Do not use T-Taps. Soldering or military splicing methods are recommended.</p> <p>Reset the RR.</p>
The light on the Maestro is blinking RED TWICE .	<p>Ensure the 4-pin data cable is connected between the radio and the RR, and that it is plugged into the black port on the Maestro RR. The red and blue ports on the RR should be empty.</p> <p>Make sure the correct radio model and serial number were entered during the flash. Verify the radio's serial number entered during the flash matches what is listed on the radio screen. This can be found in the settings of the radio, listed as Device Id, Device Number, or Serial Number.</p>
The light on the Maestro is flashing RED once.	There is no firmware on the module; flash the RR module.

MAESTRO RR RESET PROCEDURE:

Turn the key to the OFF position, then disconnect all connectors from the module.
 Press and hold the module's programming button and connect all the connectors back to the module. Wait, the module's LED will flash RED rapidly (this may take up to 10 seconds).
 Release the programming button. Wait, the LED will turn solid GREEN for 2 seconds to show the reset was successful.

TECHNICAL ASSISTANCE

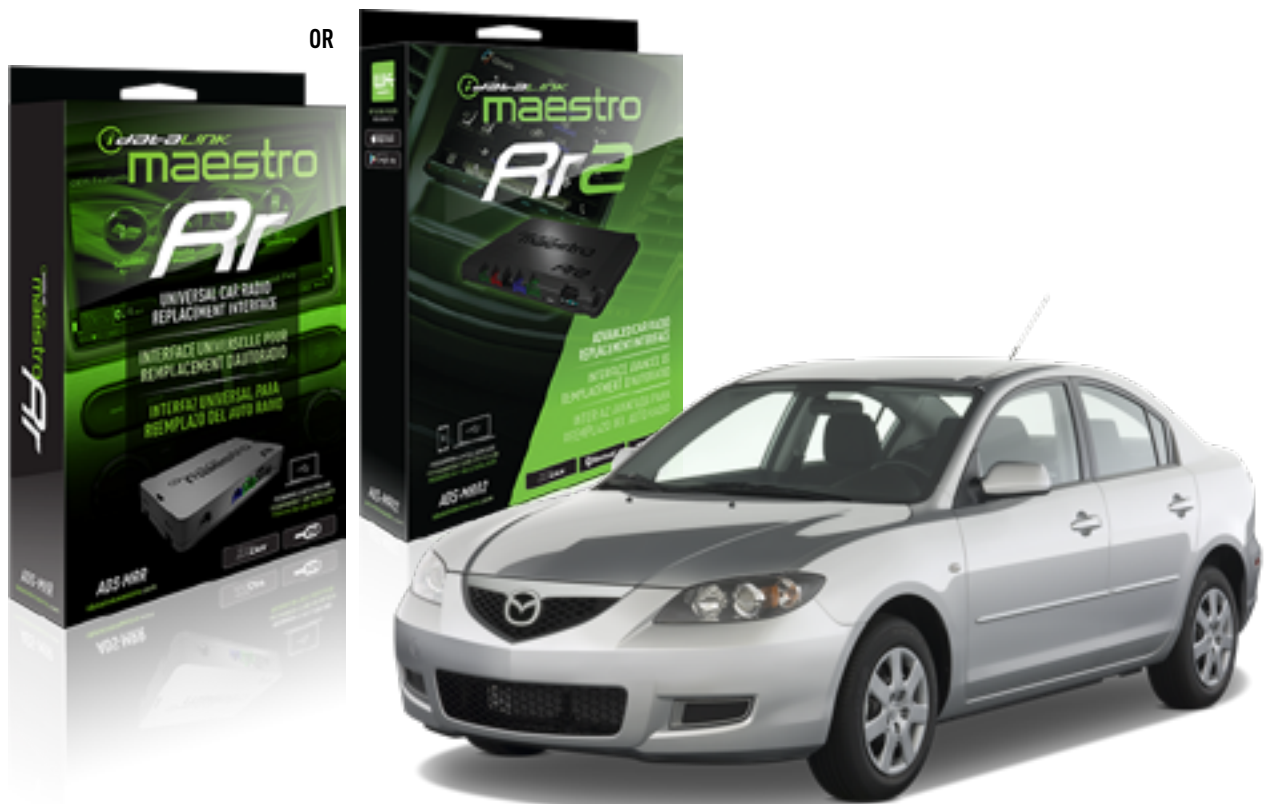
Phone: 1-866-427-2999

Email: maestro.support@idatalink.com

Web: maestro.idatalink.com/support add www.12voltdata.com/forum/

IMPORTANT: To ensure proper operation, the aftermarket radio needs to have the latest firmware from the manufacturer. Please visit the radio manufacturer's website and look for any updates pertaining to your radio.

RETAINS STEERING WHEEL CONTROLS AND ADDS GAUGES



PRODUCTS REQUIRED

iDataLink Maestro RR or RR2 Radio Replacement Interface
iDataLink Compatible Radio

PROGRAMMED FIRMWARE

ADS-RR(SI)-MAZ01-DS

ADDITIONAL RESOURCES

[Maestro RR2 Programmable Outputs Guide](#)

OPTIONAL ACCESSORIES



Click here for:
[Radar Installation Guides](#)


WELCOME

Congratulations on the purchase of your iDatalink Maestro RR Radio replacement solution. You are now a few simple steps away from enjoying your new car radio with enhanced features.

Before starting your installation, please ensure that your iDatalink Maestro module is programmed with the correct firmware for your vehicle and that you carefully review the install guide.

Please note that Maestro RR will only retain functionalities that were originally available in the vehicle.

NEED HELP?

 1 866 427-2999

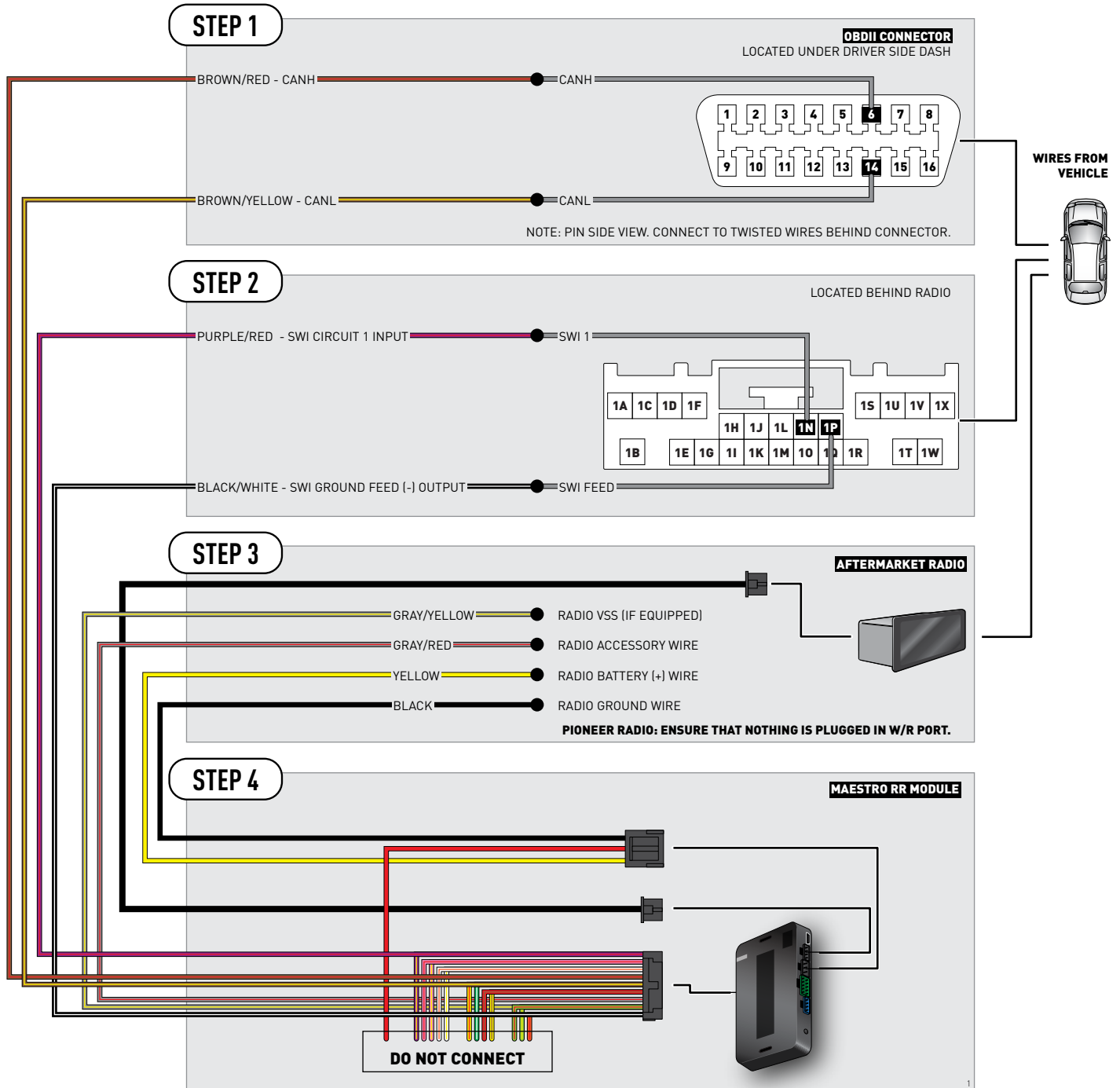
 maestro.support@idatalink.com

 maestro.idatalink.com/support
www.12voltdata.com/forum

TABLE OF CONTENTS

Wiring Diagram	3
Vehicle Wire Reference Chart	4
Troubleshooting Table	5

WIRING DIAGRAM



NOT REQUIRED



VEHICLE WIRE REFERENCE CHART

Wire Description	Connector Name	Connector Color	Connector Type	Position	Wire Color	Polarity	Wire Location
CanH	A	~	16 pin	06	Gray/Yellow	(DATA)	OBDII connector, under driver side dash
CanL	A	~	16 pin	14	Blue/White	(DATA)	OBDII connector, under driver side dash
SWI 1	B	~	24 pin	1N	White/Black	(DATA)	Behind radio
SWI Feed	B	~	24 pin	1P	Brown/Yellow	(-)	Behind radio

TROUBLESHOOTING TABLE

PROBLEM	SOLUTION
Maestro features/steering wheel controls stop working after a few seconds.	Ensure the GRAY/RED wire on the 18 pin connector of the RR is connected to accessory power.
Gauges do not work, radio shows OBD2 Error 1 or Error 2.	<p>Ensure the BROWN/RED and BROWN/YELLOW wires are connected to the OBDII (NOT the red/brown and yellow/brown wires).</p> <p>Check connections at the OBDII connector. Make sure the BROWN/RED wire is on PIN 6 and the BROWN/YELLOW wire is connected to PIN 14 of the OBDII connector. Do not use T-Taps. Soldering or military splicing methods are recommended.</p> <p>Reset the RR.</p>
The light on the Maestro is blinking RED TWICE .	<p>Ensure the 4-pin data cable is connected between the radio and the RR, and that it is plugged into the black port on the Maestro RR. The red and blue ports on the RR should be empty.</p> <p>Make sure the correct radio model and serial number were entered during the flash. Verify the radio's serial number entered during the flash matches what is listed on the radio screen. This can be found in the settings of the radio, listed as Device Id, Device Number, or Serial Number.</p>
The light on the Maestro is flashing RED once.	There is no firmware on the module; flash the RR module.

MAESTRO RR RESET PROCEDURE:

Turn the key to the OFF position, then disconnect all connectors from the module.
 Press and hold the module's programming button and connect all the connectors back to the module. Wait, the module's LED will flash RED rapidly (this may take up to 10 seconds).
 Release the programming button. Wait, the LED will turn solid GREEN for 2 seconds to show the reset was successful.

TECHNICAL ASSISTANCE

Phone: 1-866-427-2999

Email: maestro.support@idatalink.com

Web: maestro.idatalink.com/support add www.12voltdata.com/forum/

IMPORTANT: To ensure proper operation, the aftermarket radio needs to have the latest firmware from the manufacturer. Please visit the radio manufacturer's website and look for any updates pertaining to your radio.

RETAINS STEERING WHEEL CONTROLS AND ADDS GAUGES



PRODUCTS REQUIRED

iDataLINK Maestro RR or RR2 Radio Replacement Interface
iDataLINK Compatible Radio

PROGRAMMED FIRMWARE

ADS-RR(SI)-MAZ01-DS

ADDITIONAL RESOURCES

[Maestro RR2 Programmable Outputs Guide](#)

OPTIONAL ACCESSORIES

K40[™]
ELECTRONICS
ESCORT

Click here for:
[Radar Installation Guides](#)


WELCOME

Congratulations on the purchase of your iDatalink Maestro RR Radio replacement solution. You are now a few simple steps away from enjoying your new car radio with enhanced features.

Before starting your installation, please ensure that your iDatalink Maestro module is programmed with the correct firmware for your vehicle and that you carefully review the install guide.

Please note that Maestro RR will only retain functionalities that were originally available in the vehicle.

NEED HELP?

 1 866 427-2999

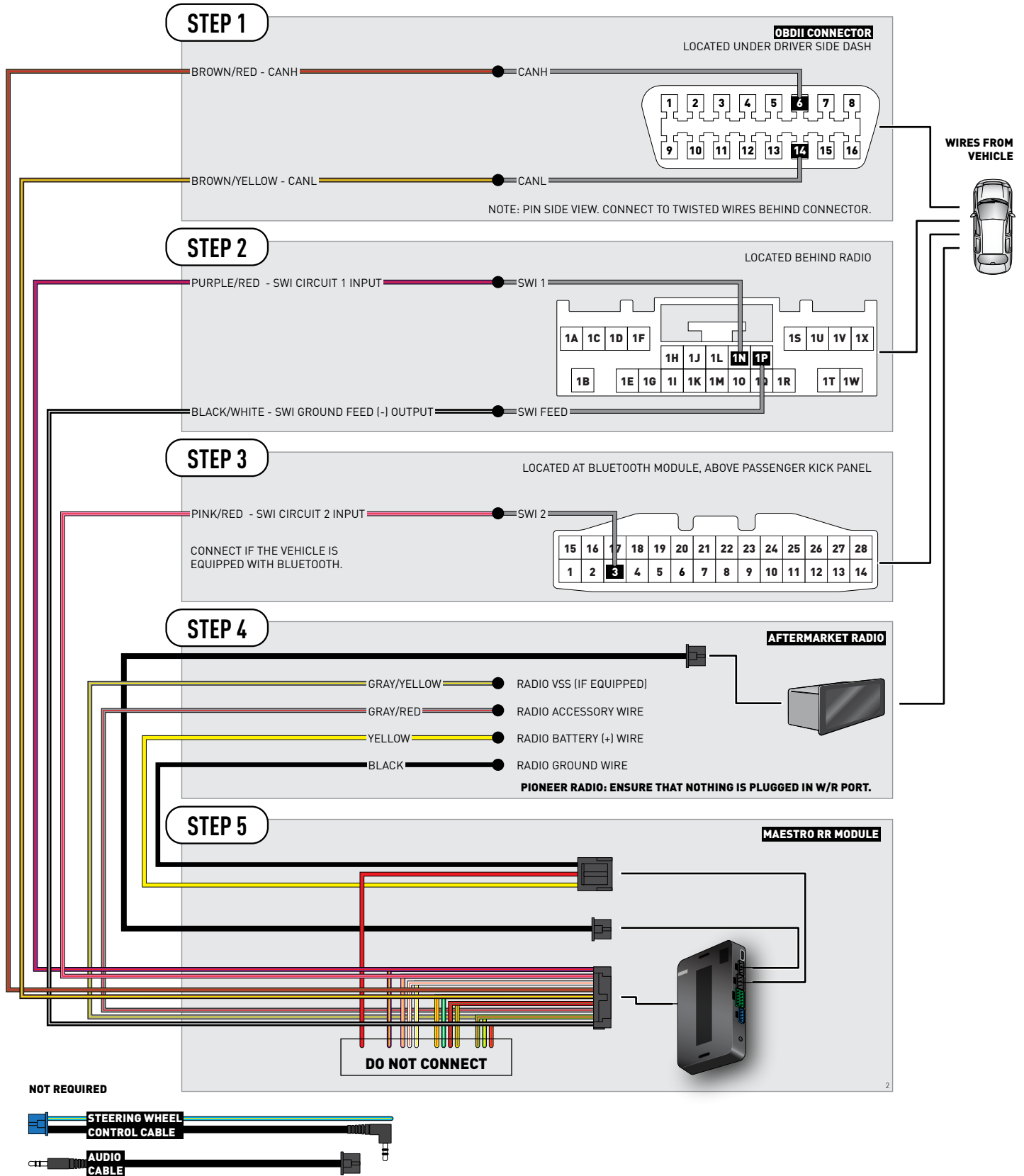
 maestro.support@idatalink.com

 maestro.idatalink.com/support
www.12voltdata.com/forum

TABLE OF CONTENTS

Wiring Diagram	3
Vehicle Wire Reference Chart	4
Troubleshooting Table	5

WIRING DIAGRAM



VEHICLE WIRE REFERENCE CHART

Wire Description	Connector Name	Connector Color	Connector Type	Position	Wire Color	Polarity	Wire Location
CanH	A	~	16 pin	06	White	[DATA]	OBDII connector, under driver side dash
CanL	A	~	16 pin	14	Red	[DATA]	OBDII connector, under driver side dash
SWI 1	B	~	24 pin	1N	Red	[DATA]	Behind radio
SWI 2	C	~	28 pin	06	Pink	[DATA]	Bluetooth module, above passenger kick panel
SWI Feed	B	~	24 pin	1P	Violet	(-)	Behind radio

TROUBLESHOOTING TABLE

PROBLEM	SOLUTION
Maestro features/steering wheel controls stop working after a few seconds.	Ensure the GRAY/RED wire on the 18 pin connector of the RR is connected to accessory power.
Gauges do not work, radio shows OBD2 Error 1 or Error 2.	<p>Ensure the BROWN/RED and BROWN/YELLOW wires are connected to the OBDII (NOT the red/brown and yellow/brown wires).</p> <p>Check connections at the OBDII connector. Make sure the BROWN/RED wire is on PIN 6 and the BROWN/YELLOW wire is connected to PIN 14 of the OBDII connector. Do not use T-Taps. Soldering or military splicing methods are recommended.</p> <p>Reset the RR.</p>
The light on the Maestro is blinking RED TWICE .	<p>Ensure the 4-pin data cable is connected between the radio and the RR, and that it is plugged into the black port on the Maestro RR. The red and blue ports on the RR should be empty.</p> <p>Make sure the correct radio model and serial number were entered during the flash. Verify the radio's serial number entered during the flash matches what is listed on the radio screen. This can be found in the settings of the radio, listed as Device Id, Device Number, or Serial Number.</p>
The light on the Maestro is flashing RED once.	There is no firmware on the module; flash the RR module.

MAESTRO RR RESET PROCEDURE:

Turn the key to the OFF position, then disconnect all connectors from the module.
 Press and hold the module's programming button and connect all the connectors back to the module. Wait, the module's LED will flash RED rapidly (this may take up to 10 seconds).
 Release the programming button. Wait, the LED will turn solid GREEN for 2 seconds to show the reset was successful.

TECHNICAL ASSISTANCE

Phone: 1-866-427-2999

Email: maestro.support@idatalink.com

Web: maestro.idatalink.com/support add www.12voltdata.com/forum/

IMPORTANT: To ensure proper operation, the aftermarket radio needs to have the latest firmware from the manufacturer. Please visit the radio manufacturer's website and look for any updates pertaining to your radio.

RETAINS STEERING WHEEL CONTROLS AND ADDS GAUGES



PRODUCTS REQUIRED

iDataLINK Maestro RR or RR2 Radio Replacement Interface
iDataLINK Compatible Radio

PROGRAMMED FIRMWARE

ADS-RR(SI)-MAZ01-DS

ADDITIONAL RESOURCES

[Maestro RR2 Programmable Outputs Guide](#)

OPTIONAL ACCESSORIES

K40[™]
ELECTRONICS
ESCORT

Click here for:
[Radar Installation Guides](#)


WELCOME

Congratulations on the purchase of your iDatalink Maestro RR Radio replacement solution. You are now a few simple steps away from enjoying your new car radio with enhanced features.

Before starting your installation, please ensure that your iDatalink Maestro module is programmed with the correct firmware for your vehicle and that you carefully review the install guide.

Please note that Maestro RR will only retain functionalities that were originally available in the vehicle.

NEED HELP?

 1 866 427-2999

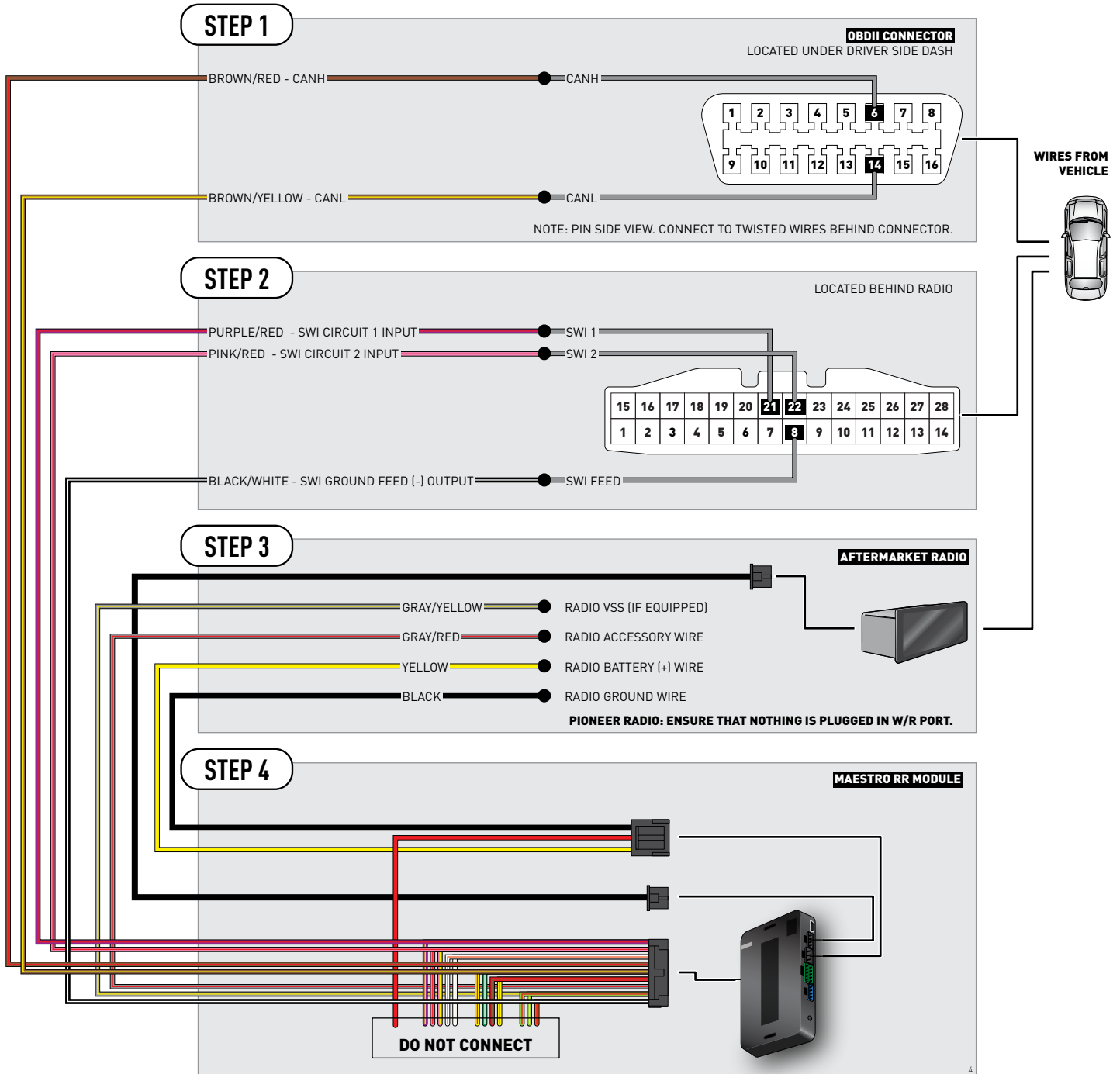
 maestro.support@idatalink.com

 maestro.idatalink.com/support
www.12voltdata.com/forum

TABLE OF CONTENTS

Wiring Diagram	3
Vehicle Wire Reference Chart	4
Troubleshooting Table	5

WIRING DIAGRAM



NOT REQUIRED



VEHICLE WIRE REFERENCE CHART

Wire Description	Connector Name	Connector Color	Connector Type	Position	Wire Color	Polarity	Wire Location
CanH	A	~	16 pin	06	Brown	[DATA]	OBDII connector, under driver side dash
CanL	A	~	16 pin	14	Yellow	[DATA]	OBDII connector, under driver side dash
SWI 1	B	~	28 pin	21	Gray	[DATA]	Behind radio
SWI 2	B	~	28 pin	22	Pink	[DATA]	Behind radio
SWI Feed	B	~	28 pin	08	Blue	(-)	Behind radio

TROUBLESHOOTING TABLE

PROBLEM	SOLUTION
Maestro features/steering wheel controls stop working after a few seconds.	Ensure the GRAY/RED wire on the 18 pin connector of the RR is connected to accessory power.
Gauges do not work, radio shows OBD2 Error 1 or Error 2.	<p>Ensure the BROWN/RED and BROWN/YELLOW wires are connected to the OBDII (NOT the red/brown and yellow/brown wires).</p> <p>Check connections at the OBDII connector. Make sure the BROWN/RED wire is on PIN 6 and the BROWN/YELLOW wire is connected to PIN 14 of the OBDII connector. Do not use T-Taps. Soldering or military splicing methods are recommended.</p> <p>Reset the RR.</p>
The light on the Maestro is blinking RED TWICE .	<p>Ensure the 4-pin data cable is connected between the radio and the RR, and that it is plugged into the black port on the Maestro RR. The red and blue ports on the RR should be empty.</p> <p>Make sure the correct radio model and serial number were entered during the flash. Verify the radio's serial number entered during the flash matches what is listed on the radio screen. This can be found in the settings of the radio, listed as Device Id, Device Number, or Serial Number.</p>
The light on the Maestro is flashing RED once.	There is no firmware on the module; flash the RR module.

MAESTRO RR RESET PROCEDURE:

Turn the key to the OFF position, then disconnect all connectors from the module.
 Press and hold the module's programming button and connect all the connectors back to the module. Wait, the module's LED will flash RED rapidly (this may take up to 10 seconds).
 Release the programming button. Wait, the LED will turn solid GREEN for 2 seconds to show the reset was successful.

TECHNICAL ASSISTANCE

Phone: 1-866-427-2999

Email: maestro.support@idatalink.com

Web: maestro.idatalink.com/support add www.12voltdata.com/forum/

IMPORTANT: To ensure proper operation, the aftermarket radio needs to have the latest firmware from the manufacturer. Please visit the radio manufacturer's website and look for any updates pertaining to your radio.

RETAINS STEERING WHEEL CONTROLS AND ADDS GAUGES



PRODUCTS REQUIRED

iDataLink Maestro RR or RR2 Radio Replacement Interface
iDataLink Compatible Radio

PROGRAMMED FIRMWARE

ADS-RR(SI)-MAZ01-DS

ADDITIONAL RESOURCES

[Maestro RR2 Programmable Outputs Guide](#)

OPTIONAL ACCESSORIES

K40[™]
ELECTRONICS
ESCORT

Click here for:
[Radar Installation Guides](#)


WELCOME

Congratulations on the purchase of your iDatalink Maestro RR Radio replacement solution. You are now a few simple steps away from enjoying your new car radio with enhanced features.

Before starting your installation, please ensure that your iDatalink Maestro module is programmed with the correct firmware for your vehicle and that you carefully review the install guide.

Please note that Maestro RR will only retain functionalities that were originally available in the vehicle.

NEED HELP?

 1 866 427-2999

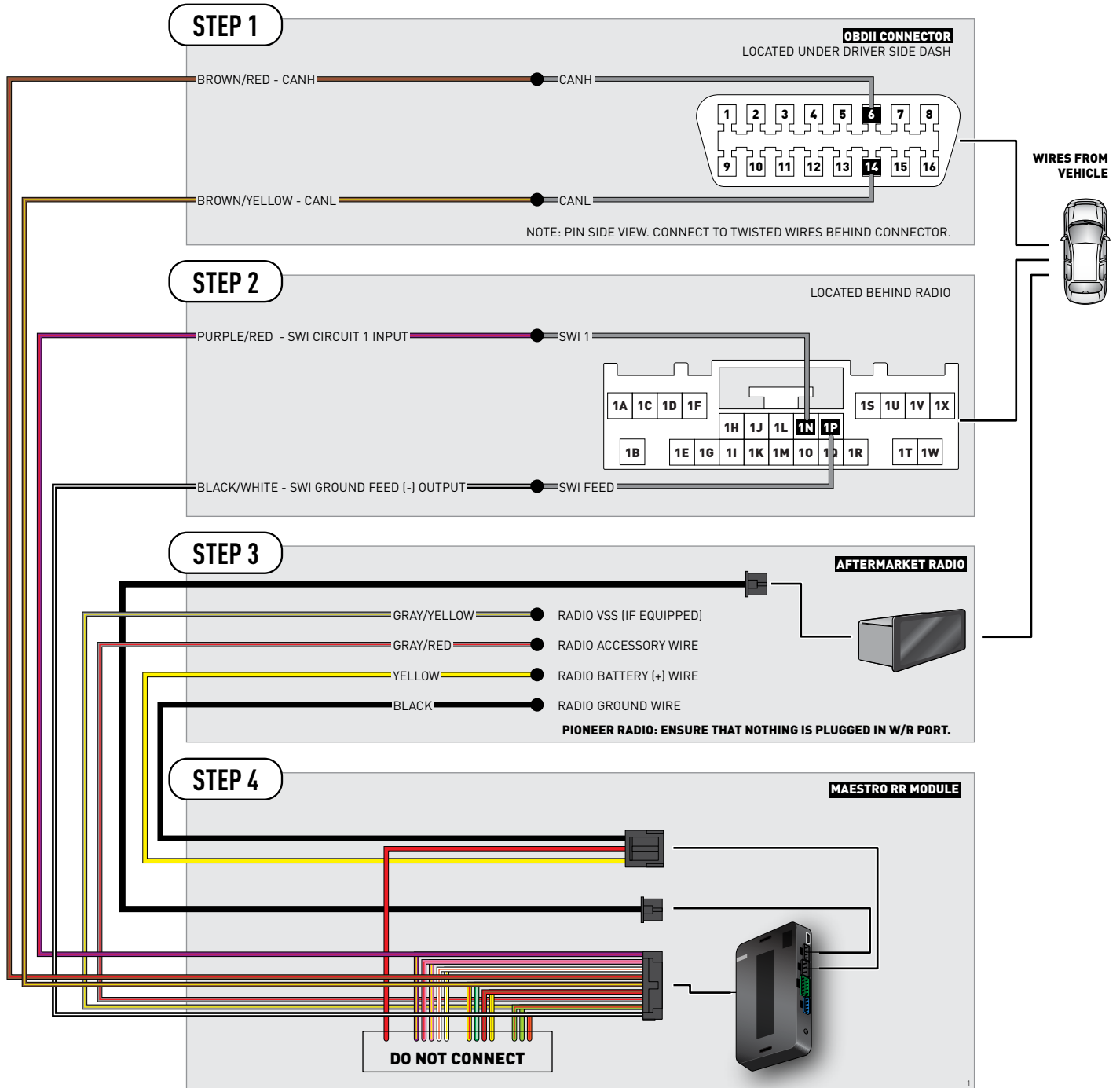
 maestro.support@idatalink.com

 maestro.idatalink.com/support
www.12voltdata.com/forum

TABLE OF CONTENTS

Wiring Diagram	3
Vehicle Wire Reference Chart	4
Troubleshooting Table	5

WIRING DIAGRAM



NOT REQUIRED



VEHICLE WIRE REFERENCE CHART

Wire Description	Connector Name	Connector Color	Connector Type	Position	Wire Color	Polarity	Wire Location
CanH	A	~	16 pin	06	Red	(DATA)	OBDII connector, under driver side dash
CanL	A	~	16 pin	14	Blue or White	(DATA)	OBDII connector, under driver side dash
SWI 1	B	~	24 pin	1N	Red/Black	(DATA)	Behind radio
SWI Feed	B	~	24 pin	1P	Green/White	(-)	Behind radio

TROUBLESHOOTING TABLE

PROBLEM	SOLUTION
Maestro features/steering wheel controls stop working after a few seconds.	Ensure the GRAY/RED wire on the 18 pin connector of the RR is connected to accessory power.
Gauges do not work, radio shows OBD2 Error 1 or Error 2.	<p>Ensure the BROWN/RED and BROWN/YELLOW wires are connected to the OBDII (NOT the red/brown and yellow/brown wires).</p> <p>Check connections at the OBDII connector. Make sure the BROWN/RED wire is on PIN 6 and the BROWN/YELLOW wire is connected to PIN 14 of the OBDII connector. Do not use T-Taps. Soldering or military splicing methods are recommended.</p> <p>Reset the RR.</p>
The light on the Maestro is blinking RED TWICE .	<p>Ensure the 4-pin data cable is connected between the radio and the RR, and that it is plugged into the black port on the Maestro RR. The red and blue ports on the RR should be empty.</p> <p>Make sure the correct radio model and serial number were entered during the flash. Verify the radio's serial number entered during the flash matches what is listed on the radio screen. This can be found in the settings of the radio, listed as Device Id, Device Number, or Serial Number.</p>
The light on the Maestro is flashing RED once.	There is no firmware on the module; flash the RR module.

MAESTRO RR RESET PROCEDURE:

Turn the key to the OFF position, then disconnect all connectors from the module.
 Press and hold the module's programming button and connect all the connectors back to the module. Wait, the module's LED will flash RED rapidly (this may take up to 10 seconds).
 Release the programming button. Wait, the LED will turn solid GREEN for 2 seconds to show the reset was successful.

TECHNICAL ASSISTANCE

Phone: 1-866-427-2999

Email: maestro.support@idatalink.com

Web: maestro.idatalink.com/support add www.12voltdata.com/forum/

IMPORTANT: To ensure proper operation, the aftermarket radio needs to have the latest firmware from the manufacturer. Please visit the radio manufacturer's website and look for any updates pertaining to your radio.

RETAINS STEERING WHEEL CONTROLS AND ADDS GAUGES



PRODUCTS REQUIRED

iDatalink Maestro RR or RR2 Radio Replacement Interface
iDatalink Compatible Radio

PROGRAMMED FIRMWARE

ADS-RR(SI)-MAZ01-DS

ADDITIONAL RESOURCES

[Maestro RR2 Programmable Outputs Guide](#)

OPTIONAL ACCESSORIES



Click here for:
[Radar Installation Guides](#)

WELCOME

Congratulations on the purchase of your iDatalink Maestro RR Radio replacement solution. You are now a few simple steps away from enjoying your new car radio with enhanced features.

Before starting your installation, please ensure that your iDatalink Maestro module is programmed with the correct firmware for your vehicle and that you carefully review the install guide.

Please note that Maestro RR will only retain functionalities that were originally available in the vehicle.

NEED HELP?

 1 866 427-2999

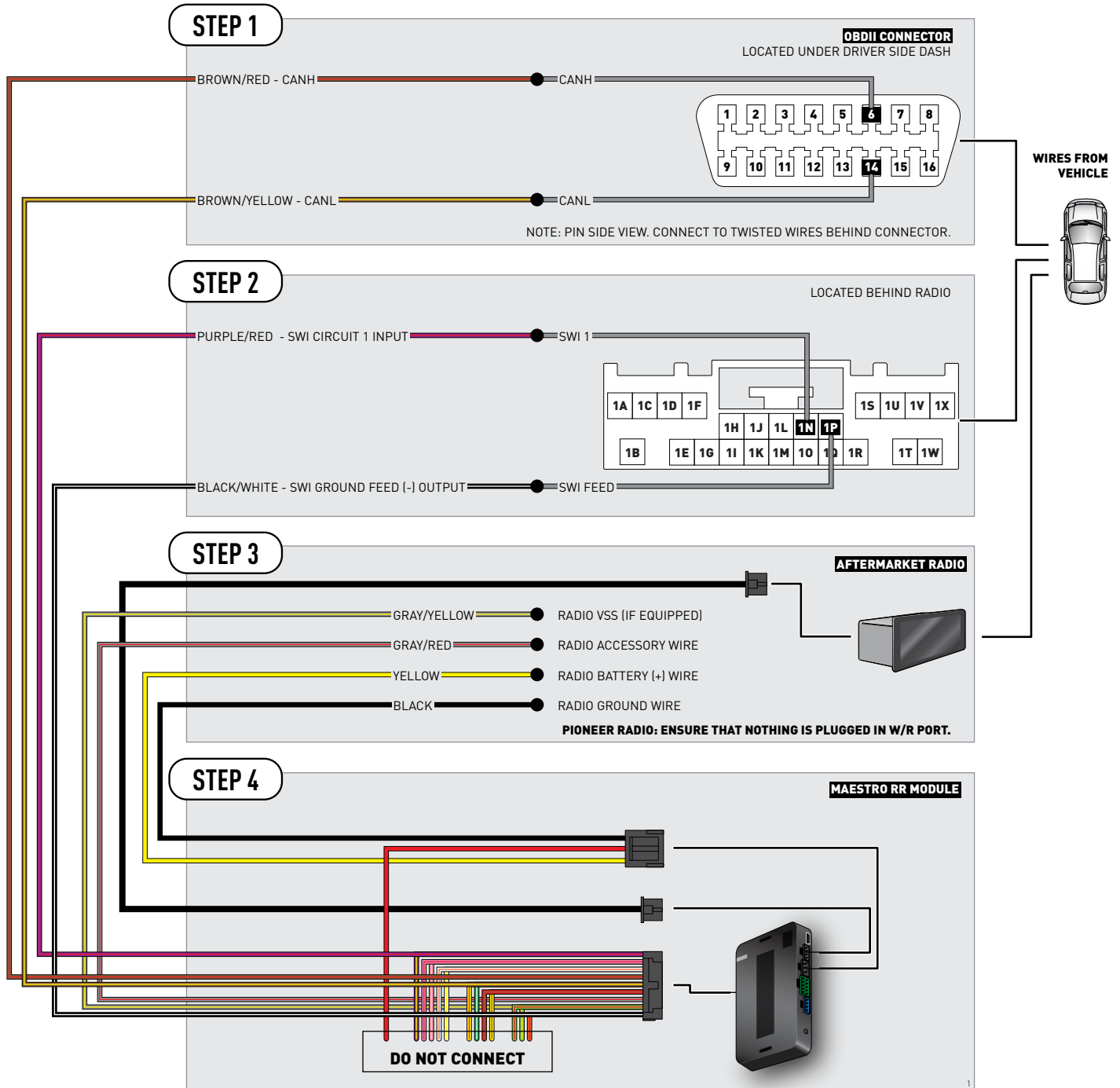
 maestro.support@idatalink.com

 maestro.idatalink.com/support
www.12voltdata.com/forum

TABLE OF CONTENTS

Wiring Diagram	3
Vehicle Wire Reference Chart	4
Troubleshooting Table	5

WIRING DIAGRAM



NOT REQUIRED



VEHICLE WIRE REFERENCE CHART

Wire Description	Connector Name	Connector Color	Connector Type	Position	Wire Color	Polarity	Wire Location
CanH	A	~	16 pin	06	Green/Yellow	[DATA]	OBDII connector, under driver side dash
CanL	A	~	16 pin	14	Red/Yellow	[DATA]	OBDII connector, under driver side dash
SWI 1	B	~	24 pin	1N	Black/Red	[DATA]	Behind radio
SWI Feed	B	~	24 pin	1P	Green/Black	(-)	Behind radio

TROUBLESHOOTING TABLE

PROBLEM	SOLUTION
Maestro features/steering wheel controls stop working after a few seconds.	Ensure the GRAY/RED wire on the 18 pin connector of the RR is connected to accessory power.
Gauges do not work, radio shows OBD2 Error 1 or Error 2.	<p>Ensure the BROWN/RED and BROWN/YELLOW wires are connected to the OBDII (NOT the red/brown and yellow/brown wires).</p> <p>Check connections at the OBDII connector. Make sure the BROWN/RED wire is on PIN 6 and the BROWN/YELLOW wire is connected to PIN 14 of the OBDII connector. Do not use T-Taps. Soldering or military splicing methods are recommended.</p> <p>Reset the RR.</p>
The light on the Maestro is blinking RED TWICE .	<p>Ensure the 4-pin data cable is connected between the radio and the RR, and that it is plugged into the black port on the Maestro RR. The red and blue ports on the RR should be empty.</p> <p>Make sure the correct radio model and serial number were entered during the flash. Verify the radio's serial number entered during the flash matches what is listed on the radio screen. This can be found in the settings of the radio, listed as Device Id, Device Number, or Serial Number.</p>
The light on the Maestro is flashing RED once.	There is no firmware on the module; flash the RR module.

MAESTRO RR RESET PROCEDURE:

Turn the key to the OFF position, then disconnect all connectors from the module.
 Press and hold the module's programming button and connect all the connectors back to the module. Wait, the module's LED will flash RED rapidly (this may take up to 10 seconds).
 Release the programming button. Wait, the LED will turn solid GREEN for 2 seconds to show the reset was successful.

TECHNICAL ASSISTANCE

Phone: 1-866-427-2999

Email: maestro.support@idatalink.com

Web: maestro.idatalink.com/support add www.12voltdata.com/forum/

IMPORTANT: To ensure proper operation, the aftermarket radio needs to have the latest firmware from the manufacturer. Please visit the radio manufacturer's website and look for any updates pertaining to your radio.

RETAINS STEERING WHEEL CONTROLS AND ADDS GAUGES



PRODUCTS REQUIRED

iDataLINK Maestro RR or RR2 Radio Replacement Interface
iDataLINK Compatible Radio

PROGRAMMED FIRMWARE

ADS-RR(SI)-MAZ01-DS

ADDITIONAL RESOURCES

[Maestro RR2 Programmable Outputs Guide](#)

OPTIONAL ACCESSORIES

K40[™]
ELECTRONICS
ESCORT

Click here for:
[Radar Installation Guides](#)


WELCOME

Congratulations on the purchase of your iDatalink Maestro RR Radio replacement solution. You are now a few simple steps away from enjoying your new car radio with enhanced features.

Before starting your installation, please ensure that your iDatalink Maestro module is programmed with the correct firmware for your vehicle and that you carefully review the install guide.

Please note that Maestro RR will only retain functionalities that were originally available in the vehicle.

NEED HELP?

 1 866 427-2999

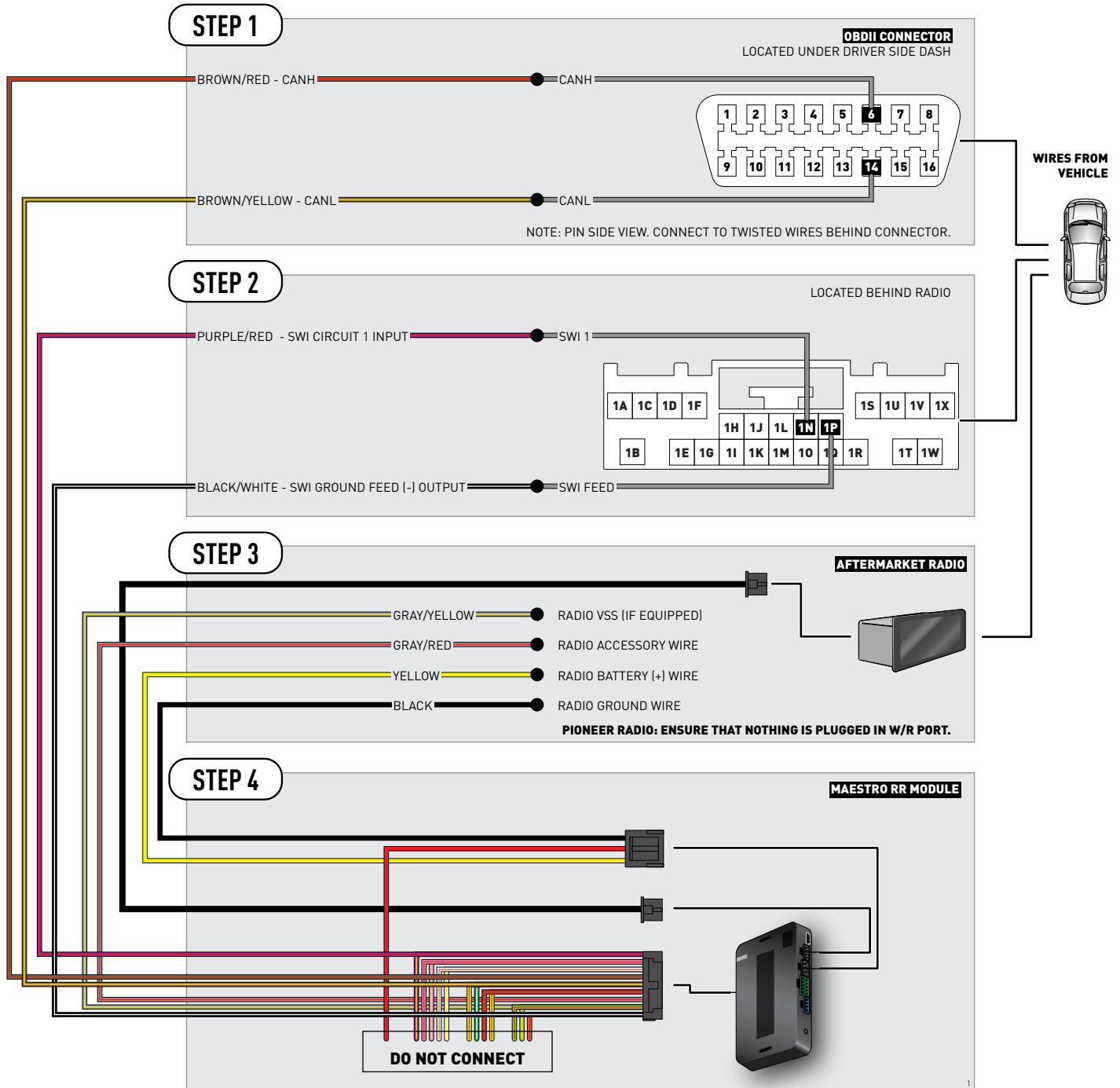
 maestro.support@idatalink.com

 maestro.idatalink.com/support
www.12voltdata.com/forum

TABLE OF CONTENTS

Wiring Diagram	3
Vehicle Wire Reference Chart	4
Troubleshooting Table	5

WIRING DIAGRAM



NOT REQUIRED



VEHICLE WIRE REFERENCE CHART

Wire Description	Connector Name	Connector Color	Connector Type	Position	Wire Color	Polarity	Wire Location
CanH	A	~	16 pin	06	Red	(DATA)	OBDII connector, under driver side dash
CanL	A	~	16 pin	14	Blue	(DATA)	OBDII connector, under driver side dash
SWI 1	B	~	24 pin	1N	Red/Black	(DATA)	Behind radio
SWI Feed	B	~	24 pin	1P	Green/White	(-)	Behind radio

TROUBLESHOOTING TABLE

PROBLEM	SOLUTION
Maestro features/steering wheel controls stop working after a few seconds.	Ensure the GRAY/RED wire on the 18 pin connector of the RR is connected to accessory power.
Gauges do not work, radio shows OBD2 Error 1 or Error 2.	<p>Ensure the BROWN/RED and BROWN/YELLOW wires are connected to the OBDII (NOT the red/brown and yellow/brown wires).</p> <p>Check connections at the OBDII connector. Make sure the BROWN/RED wire is on PIN 6 and the BROWN/YELLOW wire is connected to PIN 14 of the OBDII connector. Do not use T-Taps. Soldering or military splicing methods are recommended.</p> <p>Reset the RR.</p>
The light on the Maestro is blinking RED TWICE .	<p>Ensure the 4-pin data cable is connected between the radio and the RR, and that it is plugged into the black port on the Maestro RR. The red and blue ports on the RR should be empty.</p> <p>Make sure the correct radio model and serial number were entered during the flash. Verify the radio's serial number entered during the flash matches what is listed on the radio screen. This can be found in the settings of the radio, listed as Device Id, Device Number, or Serial Number.</p>
The light on the Maestro is flashing RED once.	There is no firmware on the module; flash the RR module.

MAESTRO RR RESET PROCEDURE:

Turn the key to the OFF position, then disconnect all connectors from the module.
 Press and hold the module's programming button and connect all the connectors back to the module. Wait, the module's LED will flash RED rapidly (this may take up to 10 seconds).
 Release the programming button. Wait, the LED will turn solid GREEN for 2 seconds to show the reset was successful.

TECHNICAL ASSISTANCE

Phone: 1-866-427-2999

Email: maestro.support@idatalink.com

Web: maestro.idatalink.com/support add www.12voltdata.com/forum/

IMPORTANT: To ensure proper operation, the aftermarket radio needs to have the latest firmware from the manufacturer. Please visit the radio manufacturer's website and look for any updates pertaining to your radio.

RETAINS STEERING WHEEL CONTROLS AND ADDS GAUGES



PRODUCTS REQUIRED

iDataLINK Maestro RR or RR2 Radio Replacement Interface
iDataLINK Compatible Radio

PROGRAMMED FIRMWARE

ADS-RR(SI)-MAZ01-DS

ADDITIONAL RESOURCES

[Maestro RR2 Programmable Outputs Guide](#)

OPTIONAL ACCESSORIES



Click here for:
[Radar Installation Guides](#)


WELCOME

Congratulations on the purchase of your iDatalink Maestro RR Radio replacement solution. You are now a few simple steps away from enjoying your new car radio with enhanced features.

Before starting your installation, please ensure that your iDatalink Maestro module is programmed with the correct firmware for your vehicle and that you carefully review the install guide.

Please note that Maestro RR will only retain functionalities that were originally available in the vehicle.

NEED HELP?

 1 866 427-2999

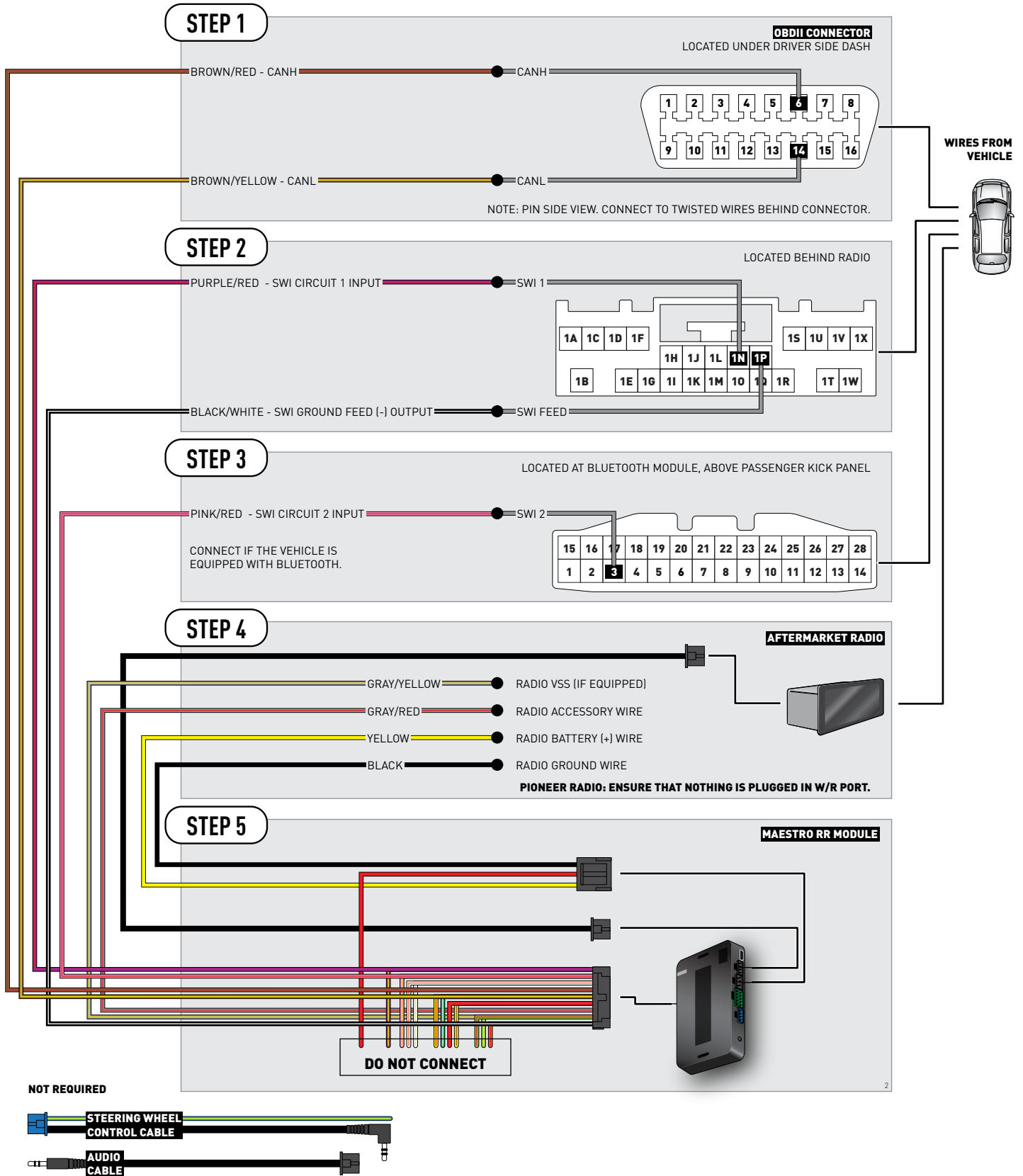
 maestro.support@idatalink.com

 maestro.idatalink.com/support
www.12voltdata.com/forum

TABLE OF CONTENTS

Wiring Diagram	3
Vehicle Wire Reference Chart	4
Troubleshooting Table	5

WIRING DIAGRAM



VEHICLE WIRE REFERENCE CHART

Wire Description	Connector Name	Connector Color	Connector Type	Position	Wire Color	Polarity	Wire Location
CanH	A	~	16 pin	06	Gray/Red	[DATA]	OBDII connector, under driver side dash
CanL	A	~	16 pin	14	Blue/Red	[DATA]	OBDII connector, under driver side dash
SWI 1	B	~	24 pin	1N	White/Black	[DATA]	Behind radio
SWI 2	C	~	28 pin	06	White/Red	[DATA]	Bluetooth module, above passenger kick panel
SWI Feed	B	~	24 pin	1P	Brown/Yellow	(-)	Behind radio

TROUBLESHOOTING TABLE

PROBLEM	SOLUTION
Maestro features/steering wheel controls stop working after a few seconds.	Ensure the GRAY/RED wire on the 18 pin connector of the RR is connected to accessory power.
Gauges do not work, radio shows OBD2 Error 1 or Error 2.	<p>Ensure the BROWN/RED and BROWN/YELLOW wires are connected to the OBDII (NOT the red/brown and yellow/brown wires).</p> <p>Check connections at the OBDII connector. Make sure the BROWN/RED wire is on PIN 6 and the BROWN/YELLOW wire is connected to PIN 14 of the OBDII connector. Do not use T-Taps. Soldering or military splicing methods are recommended.</p> <p>Reset the RR.</p>
The light on the Maestro is blinking RED TWICE .	<p>Ensure the 4-pin data cable is connected between the radio and the RR, and that it is plugged into the black port on the Maestro RR. The red and blue ports on the RR should be empty.</p> <p>Make sure the correct radio model and serial number were entered during the flash. Verify the radio's serial number entered during the flash matches what is listed on the radio screen. This can be found in the settings of the radio, listed as Device Id, Device Number, or Serial Number.</p>
The light on the Maestro is flashing RED once.	There is no firmware on the module; flash the RR module.

MAESTRO RR RESET PROCEDURE:

Turn the key to the OFF position, then disconnect all connectors from the module.
 Press and hold the module's programming button and connect all the connectors back to the module. Wait, the module's LED will flash RED rapidly (this may take up to 10 seconds).
 Release the programming button. Wait, the LED will turn solid GREEN for 2 seconds to show the reset was successful.

TECHNICAL ASSISTANCE

Phone: 1-866-427-2999

Email: maestro.support@idatalink.com

Web: maestro.idatalink.com/support add www.12voltdata.com/forum/

IMPORTANT: To ensure proper operation, the aftermarket radio needs to have the latest firmware from the manufacturer. Please visit the radio manufacturer's website and look for any updates pertaining to your radio.

RETAINS STEERING WHEEL CONTROLS AND ADDS GAUGES



PRODUCTS REQUIRED

iDataLINK Maestro RR or RR2 Radio Replacement Interface
iDataLINK Compatible Radio

PROGRAMMED FIRMWARE

ADS-RR(SI)-MAZ01-DS

ADDITIONAL RESOURCES

[Maestro RR2 Programmable Outputs Guide](#)

OPTIONAL ACCESSORIES



Click here for:
[Radar Installation Guides](#)

WELCOME

Congratulations on the purchase of your iDatalink Maestro RR Radio replacement solution. You are now a few simple steps away from enjoying your new car radio with enhanced features.

Before starting your installation, please ensure that your iDatalink Maestro module is programmed with the correct firmware for your vehicle and that you carefully review the install guide.

Please note that Maestro RR will only retain functionalities that were originally available in the vehicle.

NEED HELP?

 1 866 427-2999

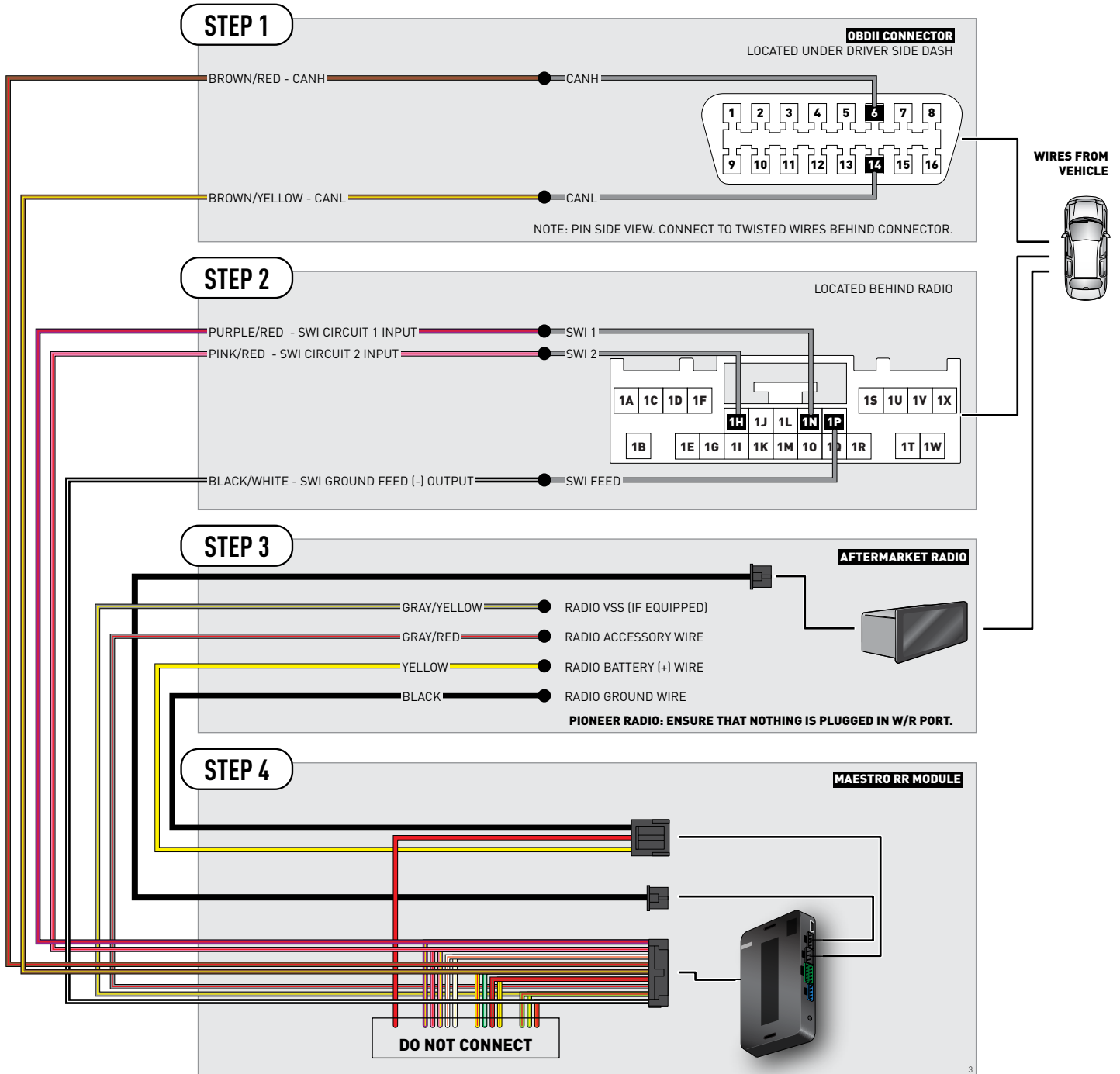
 maestro.support@idatalink.com

 maestro.idatalink.com/support
www.12voltdata.com/forum

TABLE OF CONTENTS

Wiring Diagram	3
Vehicle Wire Reference Chart	4
Troubleshooting Table	5

WIRING DIAGRAM



NOT REQUIRED



VEHICLE WIRE REFERENCE CHART

Wire Description	Connector Name	Connector Color	Connector Type	Position	Wire Color	Polarity	Wire Location
CanH	A	~	16 pin	06	Pink	[DATA]	OBDII connector, under driver side dash
CanL	A	~	16 pin	14	Blue	[DATA]	OBDII connector, under driver side dash
SWI 1	B	~	24 pin	1N	Violet	[DATA]	Behind radio
SWI 2	B	~	24 pin	1H	Green/Orange	[DATA]	Behind radio
SWI Feed	B	~	24 pin	1P	Brown	(-)	Behind radio

TROUBLESHOOTING TABLE

PROBLEM	SOLUTION
Maestro features/steering wheel controls stop working after a few seconds.	Ensure the GRAY/RED wire on the 18 pin connector of the RR is connected to accessory power.
Gauges do not work, radio shows OBD2 Error 1 or Error 2.	<p>Ensure the BROWN/RED and BROWN/YELLOW wires are connected to the OBDII (NOT the red/brown and yellow/brown wires).</p> <p>Check connections at the OBDII connector. Make sure the BROWN/RED wire is on PIN 6 and the BROWN/YELLOW wire is connected to PIN 14 of the OBDII connector. Do not use T-Taps. Soldering or military splicing methods are recommended.</p> <p>Reset the RR.</p>
The light on the Maestro is blinking RED TWICE .	<p>Ensure the 4-pin data cable is connected between the radio and the RR, and that it is plugged into the black port on the Maestro RR. The red and blue ports on the RR should be empty.</p> <p>Make sure the correct radio model and serial number were entered during the flash. Verify the radio's serial number entered during the flash matches what is listed on the radio screen. This can be found in the settings of the radio, listed as Device Id, Device Number, or Serial Number.</p>
The light on the Maestro is flashing RED once.	There is no firmware on the module; flash the RR module.

MAESTRO RR RESET PROCEDURE:

Turn the key to the OFF position, then disconnect all connectors from the module.
 Press and hold the module's programming button and connect all the connectors back to the module. Wait, the module's LED will flash RED rapidly (this may take up to 10 seconds).
 Release the programming button. Wait, the LED will turn solid GREEN for 2 seconds to show the reset was successful.

TECHNICAL ASSISTANCE

Phone: 1-866-427-2999

Email: maestro.support@idatalink.com

Web: maestro.idatalink.com/support add www.12voltdata.com/forum/

IMPORTANT: To ensure proper operation, the aftermarket radio needs to have the latest firmware from the manufacturer. Please visit the radio manufacturer's website and look for any updates pertaining to your radio.

RETAINS STEERING WHEEL CONTROLS AND ADDS GAUGES



PRODUCTS REQUIRED

iDatalink Maestro RR or RR2 Radio Replacement Interface
iDatalink Compatible Radio

PROGRAMMED FIRMWARE

ADS-RR(SI)-MAZ01-DS

ADDITIONAL RESOURCES

[Maestro RR2 Programmable Outputs Guide](#)

OPTIONAL ACCESSORIES



Click here for:
[Radar Installation Guides](#)


WELCOME

Congratulations on the purchase of your iDatalink Maestro RR Radio replacement solution. You are now a few simple steps away from enjoying your new car radio with enhanced features.

Before starting your installation, please ensure that your iDatalink Maestro module is programmed with the correct firmware for your vehicle and that you carefully review the install guide.

Please note that Maestro RR will only retain functionalities that were originally available in the vehicle.

NEED HELP?

 1 866 427-2999

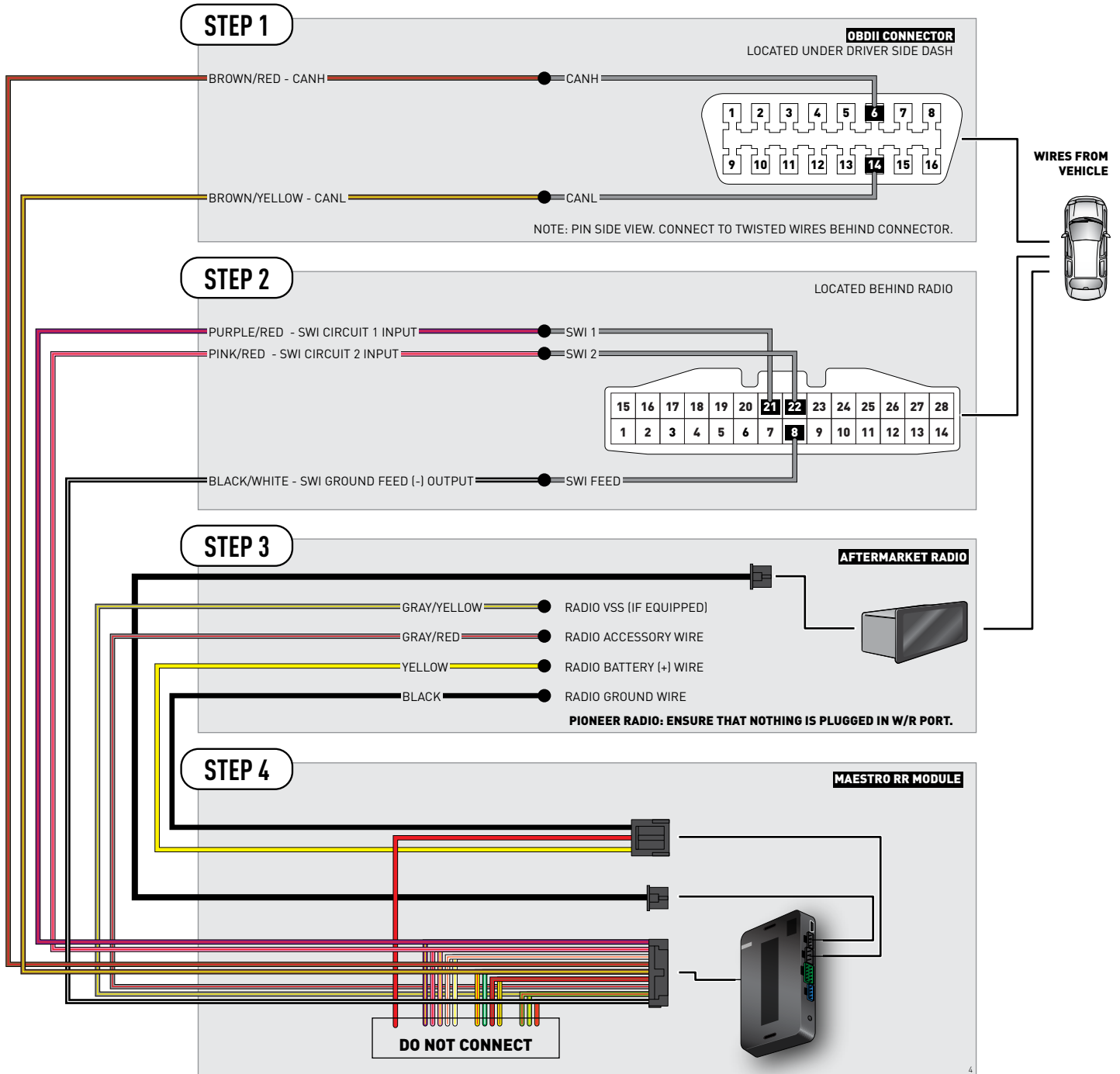
 maestro.support@idatalink.com

 maestro.idatalink.com/support
www.12voltdata.com/forum

TABLE OF CONTENTS

Wiring Diagram	3
Vehicle Wire Reference Chart	4
Troubleshooting Table	5

WIRING DIAGRAM



NOT REQUIRED



VEHICLE WIRE REFERENCE CHART

Wire Description	Connector Name	Connector Color	Connector Type	Position	Wire Color	Polarity	Wire Location
CanH	A	~	16 pin	06	Purple	[DATA]	OBDII connector, under driver side dash
CanL	A	~	16 pin	14	LtBlue	[DATA]	OBDII connector, under driver side dash
SWI 1	B	~	28 pin	21	LtGreen	[DATA]	Behind radio
SWI 2	B	~	28 pin	22	Brown	[DATA]	Behind radio
SWI Feed	B	~	28 pin	08	Blue	(-)	Behind radio

TROUBLESHOOTING TABLE

PROBLEM	SOLUTION
Maestro features/steering wheel controls stop working after a few seconds.	Ensure the GRAY/RED wire on the 18 pin connector of the RR is connected to accessory power.
Gauges do not work, radio shows OBD2 Error 1 or Error 2.	<p>Ensure the BROWN/RED and BROWN/YELLOW wires are connected to the OBDII (NOT the red/brown and yellow/brown wires).</p> <p>Check connections at the OBDII connector. Make sure the BROWN/RED wire is on PIN 6 and the BROWN/YELLOW wire is connected to PIN 14 of the OBDII connector. Do not use T-Taps. Soldering or military splicing methods are recommended.</p> <p>Reset the RR.</p>
The light on the Maestro is blinking RED TWICE .	<p>Ensure the 4-pin data cable is connected between the radio and the RR, and that it is plugged into the black port on the Maestro RR. The red and blue ports on the RR should be empty.</p> <p>Make sure the correct radio model and serial number were entered during the flash. Verify the radio's serial number entered during the flash matches what is listed on the radio screen. This can be found in the settings of the radio, listed as Device Id, Device Number, or Serial Number.</p>
The light on the Maestro is flashing RED once.	There is no firmware on the module; flash the RR module.

MAESTRO RR RESET PROCEDURE:

Turn the key to the OFF position, then disconnect all connectors from the module.
 Press and hold the module's programming button and connect all the connectors back to the module. Wait, the module's LED will flash RED rapidly (this may take up to 10 seconds).
 Release the programming button. Wait, the LED will turn solid GREEN for 2 seconds to show the reset was successful.

TECHNICAL ASSISTANCE

Phone: 1-866-427-2999

Email: maestro.support@idatalink.com

Web: maestro.idatalink.com/support add www.12voltdata.com/forum/

IMPORTANT: To ensure proper operation, the aftermarket radio needs to have the latest firmware from the manufacturer. Please visit the radio manufacturer's website and look for any updates pertaining to your radio.

RETAINS STEERING WHEEL CONTROLS AND ADDS GAUGES



PRODUCTS REQUIRED

iDataLINK Maestro RR or RR2 Radio Replacement Interface
iDataLINK Compatible Radio

PROGRAMMED FIRMWARE

ADS-RR(SI)-MAZ01-DS

ADDITIONAL RESOURCES

[Maestro RR2 Programmable Outputs Guide](#)

OPTIONAL ACCESSORIES

K40[™]
ELECTRONICS
ESCORT

Click here for:
[Radar Installation Guides](#)


WELCOME

Congratulations on the purchase of your iDatalink Maestro RR Radio replacement solution. You are now a few simple steps away from enjoying your new car radio with enhanced features.

Before starting your installation, please ensure that your iDatalink Maestro module is programmed with the correct firmware for your vehicle and that you carefully review the install guide.

Please note that Maestro RR will only retain functionalities that were originally available in the vehicle.

NEED HELP?

 1 866 427-2999

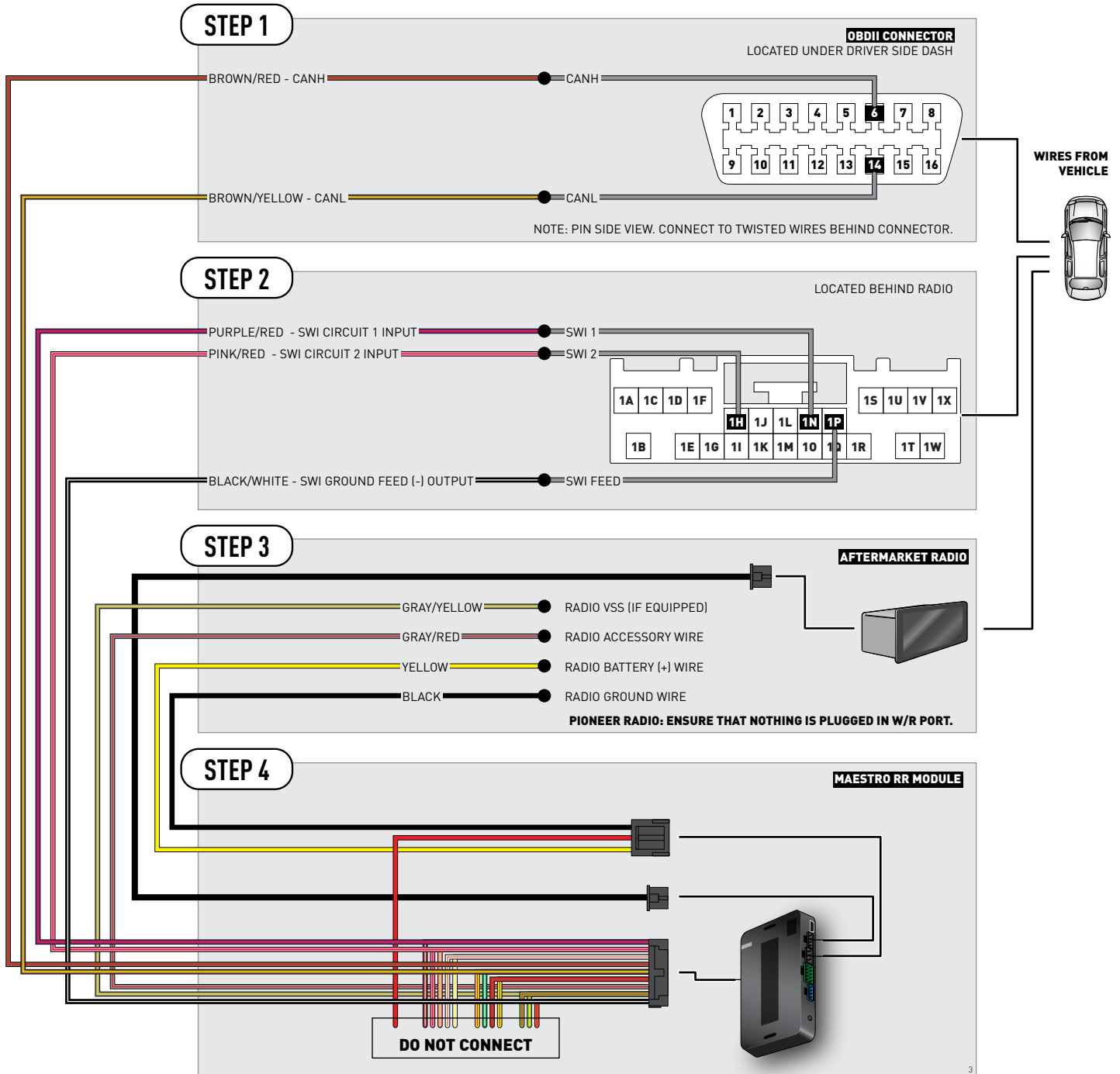
 maestro.support@idatalink.com

 maestro.idatalink.com/support
www.12voltdata.com/forum

TABLE OF CONTENTS

Wiring Diagram	3
Vehicle Wire Reference Chart	4
Troubleshooting Table	5

WIRING DIAGRAM



NOT REQUIRED



VEHICLE WIRE REFERENCE CHART

Wire Description	Connector Name	Connector Color	Connector Type	Position	Wire Color	Polarity	Wire Location
CanH	A	~	16 pin	06	Pink	[DATA]	OBDII connector, under driver side dash
CanL	A	~	16 pin	14	Blue	[DATA]	OBDII connector, under driver side dash
SWI 1	B	~	24 pin	1N	Pink/Blue	[DATA]	Behind radio
SWI 2	B	~	24 pin	1H	Green/Orange	[DATA]	Behind radio
SWI Feed	B	~	24 pin	1P	Brown	(-)	Behind radio

TROUBLESHOOTING TABLE

PROBLEM	SOLUTION
Maestro features/steering wheel controls stop working after a few seconds.	Ensure the GRAY/RED wire on the 18 pin connector of the RR is connected to accessory power.
Gauges do not work, radio shows OBD2 Error 1 or Error 2.	<p>Ensure the BROWN/RED and BROWN/YELLOW wires are connected to the OBDII (NOT the red/brown and yellow/brown wires).</p> <p>Check connections at the OBDII connector. Make sure the BROWN/RED wire is on PIN 6 and the BROWN/YELLOW wire is connected to PIN 14 of the OBDII connector. Do not use T-Taps. Soldering or military splicing methods are recommended.</p> <p>Reset the RR.</p>
The light on the Maestro is blinking RED TWICE .	<p>Ensure the 4-pin data cable is connected between the radio and the RR, and that it is plugged into the black port on the Maestro RR. The red and blue ports on the RR should be empty.</p> <p>Make sure the correct radio model and serial number were entered during the flash. Verify the radio's serial number entered during the flash matches what is listed on the radio screen. This can be found in the settings of the radio, listed as Device Id, Device Number, or Serial Number.</p>
The light on the Maestro is flashing RED once.	There is no firmware on the module; flash the RR module.

MAESTRO RR RESET PROCEDURE:

Turn the key to the OFF position, then disconnect all connectors from the module.
 Press and hold the module's programming button and connect all the connectors back to the module. Wait, the module's LED will flash RED rapidly (this may take up to 10 seconds).
 Release the programming button. Wait, the LED will turn solid GREEN for 2 seconds to show the reset was successful.

TECHNICAL ASSISTANCE

Phone: 1-866-427-2999

Email: maestro.support@idatalink.com

Web: maestro.idatalink.com/support add www.12voltdata.com/forum/

IMPORTANT: To ensure proper operation, the aftermarket radio needs to have the latest firmware from the manufacturer. Please visit the radio manufacturer's website and look for any updates pertaining to your radio.

RETAINS STEERING WHEEL CONTROLS AND ADDS GAUGES



PRODUCTS REQUIRED

iDataLINK Maestro RR or RR2 Radio Replacement Interface
iDataLINK Compatible Radio

PROGRAMMED FIRMWARE

ADS-RR(SI)-MAZ01-DS

ADDITIONAL RESOURCES

[Maestro RR2 Programmable Outputs Guide](#)

OPTIONAL ACCESSORIES



Click here for:
[Radar Installation Guides](#)


WELCOME

Congratulations on the purchase of your iDatalink Maestro RR Radio replacement solution. You are now a few simple steps away from enjoying your new car radio with enhanced features.

Before starting your installation, please ensure that your iDatalink Maestro module is programmed with the correct firmware for your vehicle and that you carefully review the install guide.

Please note that Maestro RR will only retain functionalities that were originally available in the vehicle.

NEED HELP?

 1 866 427-2999

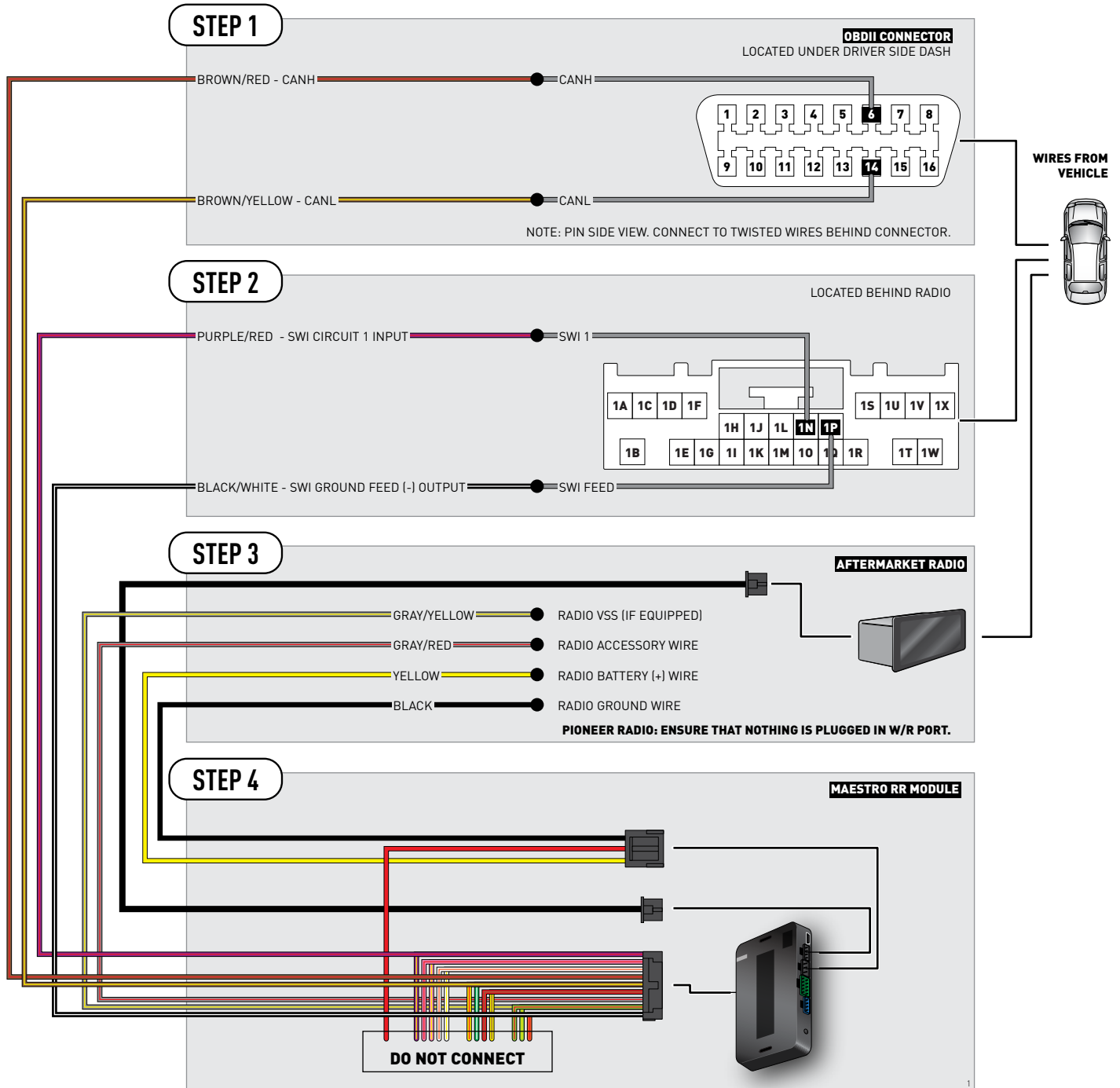
 maestro.support@idatalink.com

 maestro.idatalink.com/support
www.12voltdata.com/forum

TABLE OF CONTENTS

Wiring Diagram	3
Vehicle Wire Reference Chart	4
Troubleshooting Table	5

WIRING DIAGRAM



NOT REQUIRED



VEHICLE WIRE REFERENCE CHART

Wire Description	Connector Name	Connector Color	Connector Type	Position	Wire Color	Polarity	Wire Location
CanH	A	~	16 pin	06	Gray/Violet	(DATA)	OBDII connector, under driver side dash
CanL	A	~	16 pin	14	Blue/White	(DATA)	OBDII connector, under driver side dash
SWI 1	B	~	24 pin	1N	White/Black	(DATA)	Behind radio
SWI Feed	B	~	24 pin	1P	Brown/Yellow	(-)	Behind radio

TROUBLESHOOTING TABLE

PROBLEM	SOLUTION
Maestro features/steering wheel controls stop working after a few seconds.	Ensure the GRAY/RED wire on the 18 pin connector of the RR is connected to accessory power.
Gauges do not work, radio shows OBD2 Error 1 or Error 2.	<p>Ensure the BROWN/RED and BROWN/YELLOW wires are connected to the OBDII (NOT the red/brown and yellow/brown wires).</p> <p>Check connections at the OBDII connector. Make sure the BROWN/RED wire is on PIN 6 and the BROWN/YELLOW wire is connected to PIN 14 of the OBDII connector. Do not use T-Taps. Soldering or military splicing methods are recommended.</p> <p>Reset the RR.</p>
The light on the Maestro is blinking RED TWICE .	<p>Ensure the 4-pin data cable is connected between the radio and the RR, and that it is plugged into the black port on the Maestro RR. The red and blue ports on the RR should be empty.</p> <p>Make sure the correct radio model and serial number were entered during the flash. Verify the radio's serial number entered during the flash matches what is listed on the radio screen. This can be found in the settings of the radio, listed as Device Id, Device Number, or Serial Number.</p>
The light on the Maestro is flashing RED once.	There is no firmware on the module; flash the RR module.

MAESTRO RR RESET PROCEDURE:

Turn the key to the OFF position, then disconnect all connectors from the module.
 Press and hold the module's programming button and connect all the connectors back to the module. Wait, the module's LED will flash RED rapidly (this may take up to 10 seconds).
 Release the programming button. Wait, the LED will turn solid GREEN for 2 seconds to show the reset was successful.

TECHNICAL ASSISTANCE

Phone: 1-866-427-2999

Email: maestro.support@idatalink.com

Web: maestro.idatalink.com/support add www.12voltdata.com/forum/

IMPORTANT: To ensure proper operation, the aftermarket radio needs to have the latest firmware from the manufacturer. Please visit the radio manufacturer's website and look for any updates pertaining to your radio.

RETAINS STEERING WHEEL CONTROLS AND ADDS GAUGES



PRODUCTS REQUIRED

iDataLINK Maestro RR or RR2 Radio Replacement Interface
iDataLINK Compatible Radio

PROGRAMMED FIRMWARE

ADS-RR(SI)-MAZ01-DS

ADDITIONAL RESOURCES

[Maestro RR2 Programmable Outputs Guide](#)

OPTIONAL ACCESSORIES



Click here for:
[Radar Installation Guides](#)


WELCOME

Congratulations on the purchase of your iDatalink Maestro RR Radio replacement solution. You are now a few simple steps away from enjoying your new car radio with enhanced features.

Before starting your installation, please ensure that your iDatalink Maestro module is programmed with the correct firmware for your vehicle and that you carefully review the install guide.

Please note that Maestro RR will only retain functionalities that were originally available in the vehicle.

NEED HELP?

 1 866 427-2999

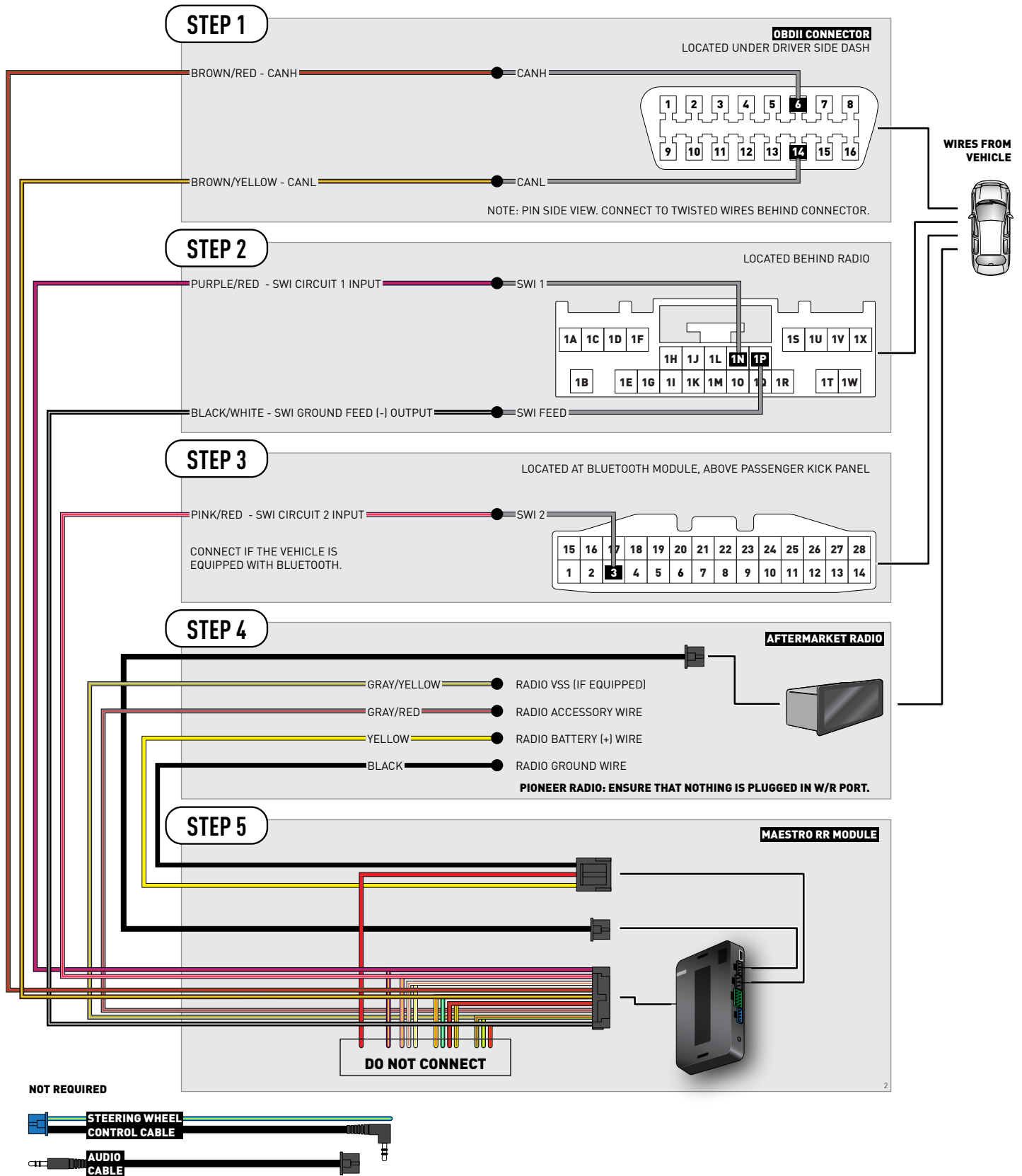
 maestro.support@idatalink.com

 maestro.idatalink.com/support
www.12voltdata.com/forum

TABLE OF CONTENTS

Wiring Diagram	3
Vehicle Wire Reference Chart	4
Troubleshooting Table	5

WIRING DIAGRAM



VEHICLE WIRE REFERENCE CHART

Wire Description	Connector Name	Connector Color	Connector Type	Position	Wire Color	Polarity	Wire Location
CanH	A	~	16 pin	06	Gray/DkBlue	[DATA]	OBDII connector, under driver side dash
CanL	A	~	16 pin	14	DkBlue/White	[DATA]	OBDII connector, under driver side dash
SWI 1	B	~	24 pin	1N	White/Black	[DATA]	Behind radio
SWI 2	C	~	28 pin	06	Brown	[DATA]	Bluetooth module, above passenger kick panel
SWI Feed	B	~	24 pin	1P	Brown/Yellow	(-)	Behind radio

TROUBLESHOOTING TABLE

PROBLEM	SOLUTION
Maestro features/steering wheel controls stop working after a few seconds.	Ensure the GRAY/RED wire on the 18 pin connector of the RR is connected to accessory power.
Gauges do not work, radio shows OBD2 Error 1 or Error 2.	<p>Ensure the BROWN/RED and BROWN/YELLOW wires are connected to the OBDII (NOT the red/brown and yellow/brown wires).</p> <p>Check connections at the OBDII connector. Make sure the BROWN/RED wire is on PIN 6 and the BROWN/YELLOW wire is connected to PIN 14 of the OBDII connector. Do not use T-Taps. Soldering or military splicing methods are recommended.</p> <p>Reset the RR.</p>
The light on the Maestro is blinking RED TWICE .	<p>Ensure the 4-pin data cable is connected between the radio and the RR, and that it is plugged into the black port on the Maestro RR. The red and blue ports on the RR should be empty.</p> <p>Make sure the correct radio model and serial number were entered during the flash. Verify the radio's serial number entered during the flash matches what is listed on the radio screen. This can be found in the settings of the radio, listed as Device Id, Device Number, or Serial Number.</p>
The light on the Maestro is flashing RED once.	There is no firmware on the module; flash the RR module.

MAESTRO RR RESET PROCEDURE:

Turn the key to the OFF position, then disconnect all connectors from the module.
 Press and hold the module's programming button and connect all the connectors back to the module. Wait, the module's LED will flash RED rapidly (this may take up to 10 seconds).
 Release the programming button. Wait, the LED will turn solid GREEN for 2 seconds to show the reset was successful.

TECHNICAL ASSISTANCE

Phone: 1-866-427-2999

Email: maestro.support@idatalink.com

Web: maestro.idatalink.com/support add www.12voltdata.com/forum/

IMPORTANT: To ensure proper operation, the aftermarket radio needs to have the latest firmware from the manufacturer. Please visit the radio manufacturer's website and look for any updates pertaining to your radio.

RETAINS STEERING WHEEL CONTROLS AND ADDS GAUGES



PRODUCTS REQUIRED

iDataLINK Maestro RR or RR2 Radio Replacement Interface
iDataLINK Compatible Radio

PROGRAMMED FIRMWARE

ADS-RR(SI)-MAZ01-DS

ADDITIONAL RESOURCES

[Maestro RR2 Programmable Outputs Guide](#)

OPTIONAL ACCESSORIES



Click here for:
[Radar Installation Guides](#)

WELCOME

Congratulations on the purchase of your iDatalink Maestro RR Radio replacement solution. You are now a few simple steps away from enjoying your new car radio with enhanced features.

Before starting your installation, please ensure that your iDatalink Maestro module is programmed with the correct firmware for your vehicle and that you carefully review the install guide.

Please note that Maestro RR will only retain functionalities that were originally available in the vehicle.

NEED HELP?

 1 866 427-2999

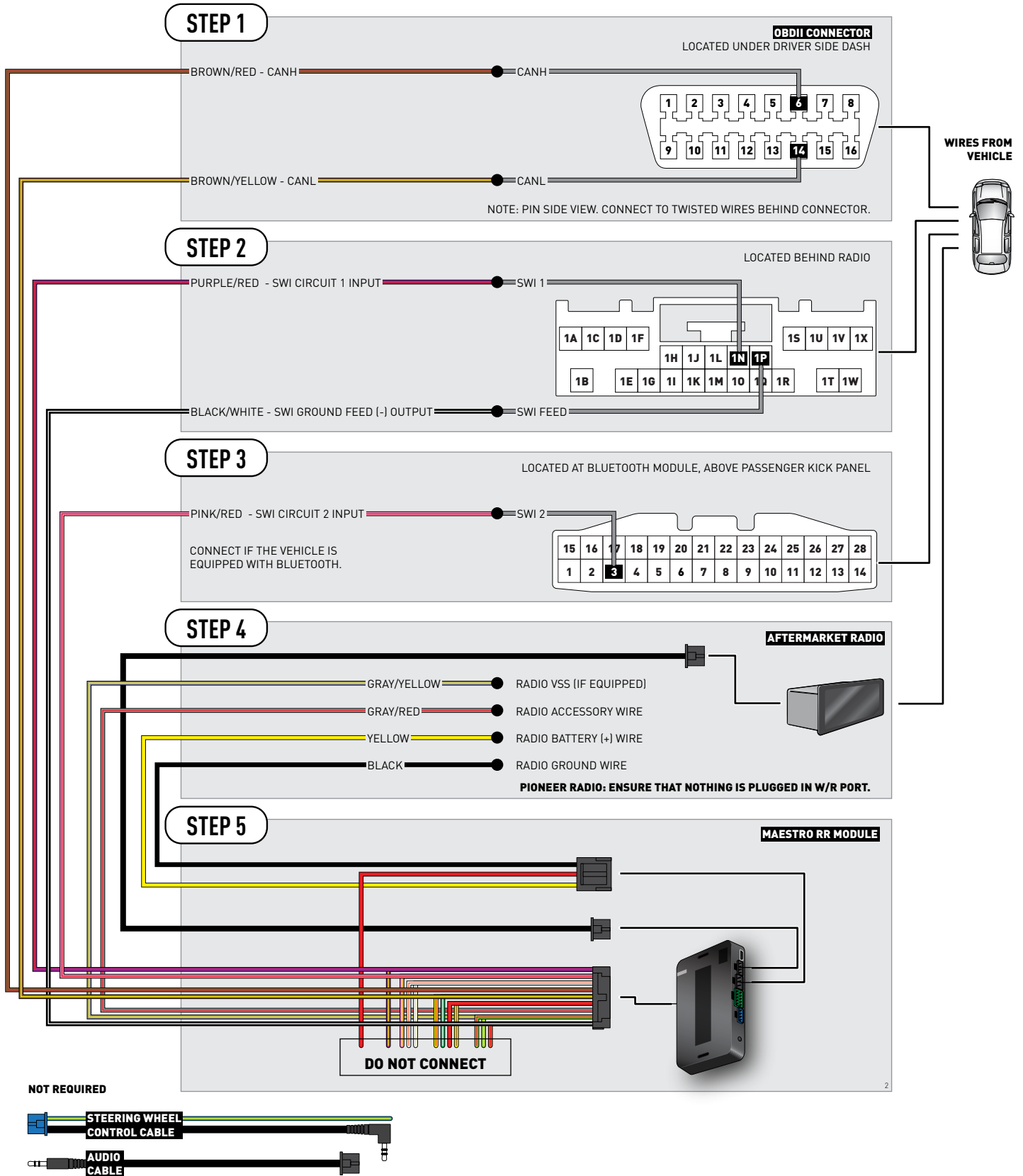
 maestro.support@idatalink.com

 maestro.idatalink.com/support
www.12voltdata.com/forum

TABLE OF CONTENTS

Wiring Diagram	3
Vehicle Wire Reference Chart	4
Troubleshooting Table	5

WIRING DIAGRAM



VEHICLE WIRE REFERENCE CHART

Wire Description	Connector Name	Connector Color	Connector Type	Position	Wire Color	Polarity	Wire Location
CanH	A	~	16 pin	06	Red	[DATA]	OBDII connector, under driver side dash
CanL	A	~	16 pin	14	Blue	[DATA]	OBDII connector, under driver side dash
SWI 1	B	~	24 pin	1N	Gray/Black	[DATA]	Behind radio
SWI 2	C	~	28 pin	06	LtGreen/Red	[DATA]	Bluetooth module, above passenger kick panel
SWI Feed	B	~	24 pin	1P	White/Red	(-)	Behind radio

TROUBLESHOOTING TABLE

PROBLEM	SOLUTION
Maestro features/steering wheel controls stop working after a few seconds.	Ensure the GRAY/RED wire on the 18 pin connector of the RR is connected to accessory power.
Gauges do not work, radio shows OBD2 Error 1 or Error 2.	<p>Ensure the BROWN/RED and BROWN/YELLOW wires are connected to the OBDII (NOT the red/brown and yellow/brown wires).</p> <p>Check connections at the OBDII connector. Make sure the BROWN/RED wire is on PIN 6 and the BROWN/YELLOW wire is connected to PIN 14 of the OBDII connector. Do not use T-Taps. Soldering or military splicing methods are recommended.</p> <p>Reset the RR.</p>
The light on the Maestro is blinking RED TWICE .	<p>Ensure the 4-pin data cable is connected between the radio and the RR, and that it is plugged into the black port on the Maestro RR. The red and blue ports on the RR should be empty.</p> <p>Make sure the correct radio model and serial number were entered during the flash. Verify the radio's serial number entered during the flash matches what is listed on the radio screen. This can be found in the settings of the radio, listed as Device Id, Device Number, or Serial Number.</p>
The light on the Maestro is flashing RED once.	There is no firmware on the module; flash the RR module.

MAESTRO RR RESET PROCEDURE:

Turn the key to the OFF position, then disconnect all connectors from the module.
 Press and hold the module's programming button and connect all the connectors back to the module. Wait, the module's LED will flash RED rapidly (this may take up to 10 seconds).
 Release the programming button. Wait, the LED will turn solid GREEN for 2 seconds to show the reset was successful.

TECHNICAL ASSISTANCE

Phone: 1-866-427-2999

Email: maestro.support@idatalink.com

Web: maestro.idatalink.com/support add www.12voltdata.com/forum/

IMPORTANT: To ensure proper operation, the aftermarket radio needs to have the latest firmware from the manufacturer. Please visit the radio manufacturer's website and look for any updates pertaining to your radio.

RETAINS STEERING WHEEL CONTROLS AND ADDS GAUGES



PRODUCTS REQUIRED

iDataLink Maestro RR or RR2 Radio Replacement Interface
iDataLink Compatible Radio

PROGRAMMED FIRMWARE

ADS-RR(SI)-MAZ01-DS

ADDITIONAL RESOURCES

[Maestro RR2 Programmable Outputs Guide](#)

OPTIONAL ACCESSORIES



Click here for:
[Radar Installation Guides](#)


WELCOME

Congratulations on the purchase of your iDatalink Maestro RR Radio replacement solution. You are now a few simple steps away from enjoying your new car radio with enhanced features.

Before starting your installation, please ensure that your iDatalink Maestro module is programmed with the correct firmware for your vehicle and that you carefully review the install guide.

Please note that Maestro RR will only retain functionalities that were originally available in the vehicle.

NEED HELP?

 1 866 427-2999

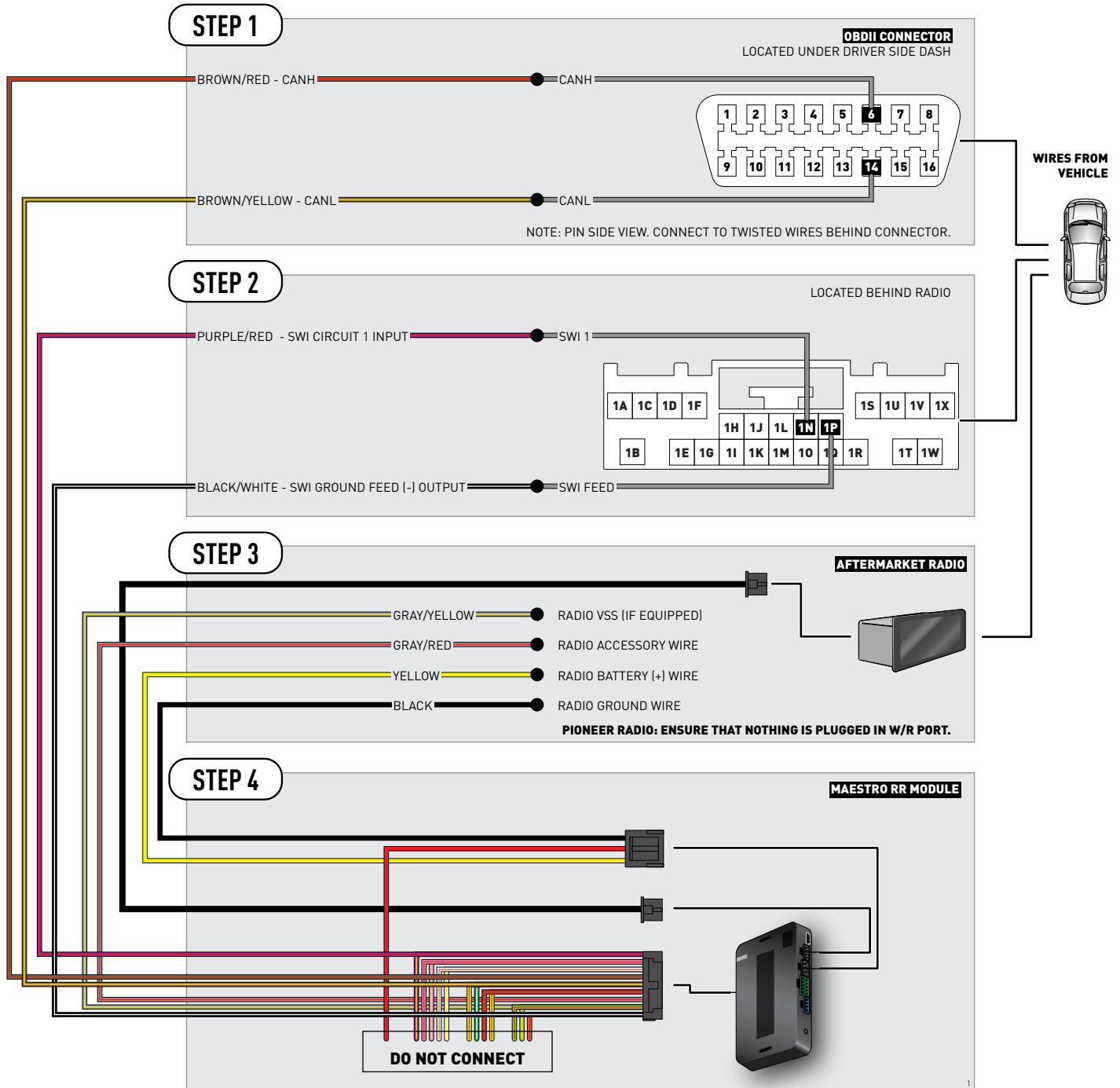
 maestro.support@idatalink.com

 maestro.idatalink.com/support
www.12voltdata.com/forum

TABLE OF CONTENTS

Wiring Diagram	3
Vehicle Wire Reference Chart	4
Troubleshooting Table	5

WIRING DIAGRAM



NOT REQUIRED



VEHICLE WIRE REFERENCE CHART

Wire Description	Connector Name	Connector Color	Connector Type	Position	Wire Color	Polarity	Wire Location
CanH	A	~	16 pin	06	Blue/White	[DATA]	OBDII connector, under driver side dash
CanL	A	~	16 pin	14	Green/Black	[DATA]	OBDII connector, under driver side dash
SWI 1	B	~	24 pin	1N	Blue/Black	[DATA]	Behind radio
SWI Feed	B	~	24 pin	1P	Green/White	(-)	Behind radio

TROUBLESHOOTING TABLE

PROBLEM	SOLUTION
Maestro features/steering wheel controls stop working after a few seconds.	Ensure the GRAY/RED wire on the 18 pin connector of the RR is connected to accessory power.
Gauges do not work, radio shows OBD2 Error 1 or Error 2.	<p>Ensure the BROWN/RED and BROWN/YELLOW wires are connected to the OBDII (NOT the red/brown and yellow/brown wires).</p> <p>Check connections at the OBDII connector. Make sure the BROWN/RED wire is on PIN 6 and the BROWN/YELLOW wire is connected to PIN 14 of the OBDII connector. Do not use T-Taps. Soldering or military splicing methods are recommended.</p> <p>Reset the RR.</p>
The light on the Maestro is blinking RED TWICE .	<p>Ensure the 4-pin data cable is connected between the radio and the RR, and that it is plugged into the black port on the Maestro RR. The red and blue ports on the RR should be empty.</p> <p>Make sure the correct radio model and serial number were entered during the flash. Verify the radio's serial number entered during the flash matches what is listed on the radio screen. This can be found in the settings of the radio, listed as Device Id, Device Number, or Serial Number.</p>
The light on the Maestro is flashing RED once.	There is no firmware on the module; flash the RR module.

MAESTRO RR RESET PROCEDURE:

Turn the key to the OFF position, then disconnect all connectors from the module.
 Press and hold the module's programming button and connect all the connectors back to the module. Wait, the module's LED will flash RED rapidly (this may take up to 10 seconds).
 Release the programming button. Wait, the LED will turn solid GREEN for 2 seconds to show the reset was successful.

TECHNICAL ASSISTANCE

Phone: 1-866-427-2999

Email: maestro.support@idatalink.com

Web: maestro.idatalink.com/support add www.12voltdata.com/forum/

IMPORTANT: To ensure proper operation, the aftermarket radio needs to have the latest firmware from the manufacturer. Please visit the radio manufacturer's website and look for any updates pertaining to your radio.

RETAINS STEERING WHEEL CONTROLS AND ADDS GAUGES



PRODUCTS REQUIRED

iDataLINK Maestro RR or RR2 Radio Replacement Interface
iDataLINK Compatible Radio

PROGRAMMED FIRMWARE

ADS-RR(SI)-MAZ01-DS

ADDITIONAL RESOURCES

[Maestro RR2 Programmable Outputs Guide](#)

OPTIONAL ACCESSORIES

K40[™]
ELECTRONICS
ESCORT

Click here for:
[Radar Installation Guides](#)


WELCOME

Congratulations on the purchase of your iDatalink Maestro RR Radio replacement solution. You are now a few simple steps away from enjoying your new car radio with enhanced features.

Before starting your installation, please ensure that your iDatalink Maestro module is programmed with the correct firmware for your vehicle and that you carefully review the install guide.

Please note that Maestro RR will only retain functionalities that were originally available in the vehicle.

NEED HELP?

 1 866 427-2999

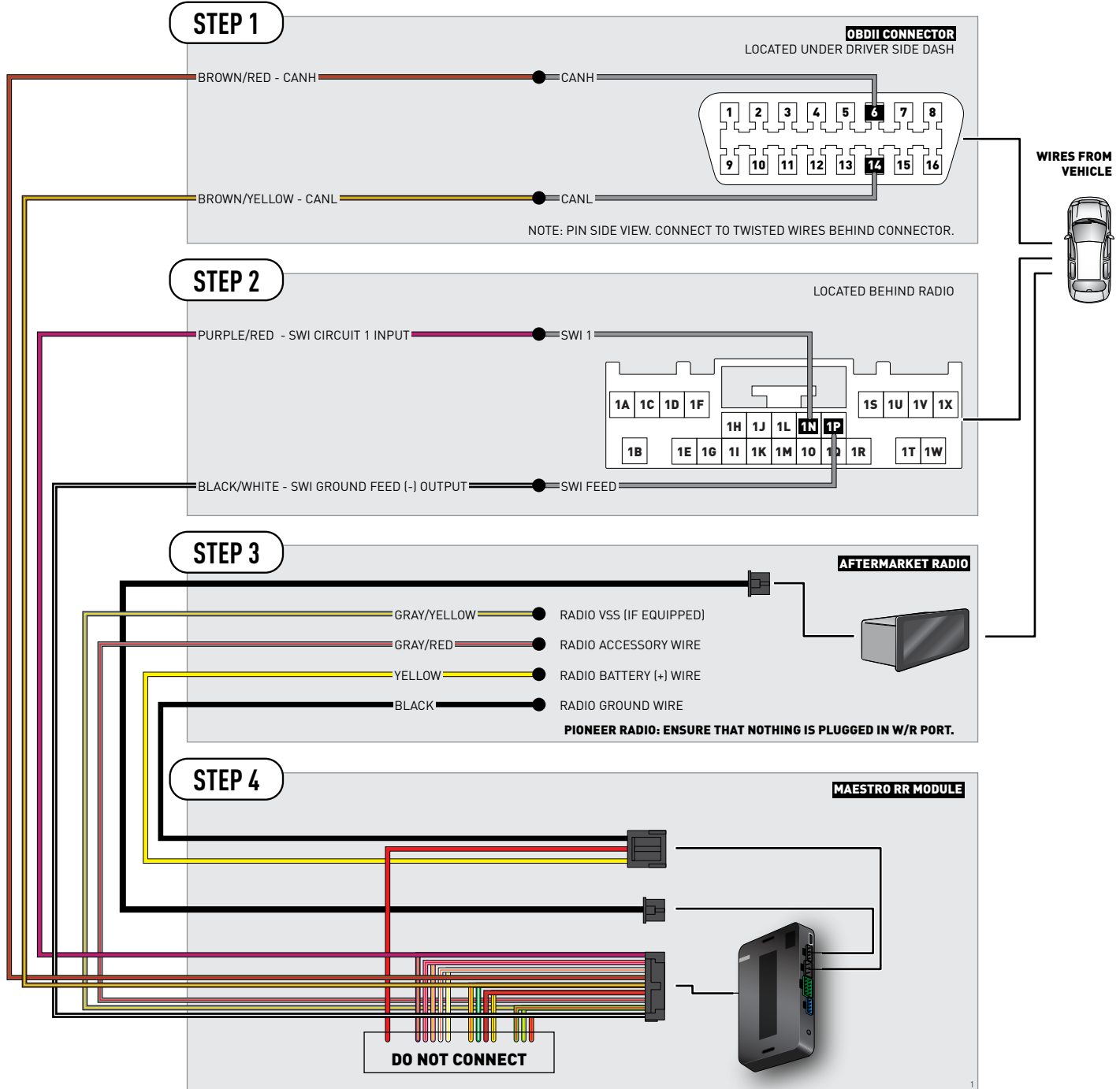
 maestro.support@idatalink.com

 maestro.idatalink.com/support
www.12voltdata.com/forum

TABLE OF CONTENTS

Wiring Diagram	3
Vehicle Wire Reference Chart	4
Troubleshooting Table	5

WIRING DIAGRAM



NOT REQUIRED



VEHICLE WIRE REFERENCE CHART

Wire Description	Connector Name	Connector Color	Connector Type	Position	Wire Color	Polarity	Wire Location
CanH	A	~	16 pin	06	Blue/White	[DATA]	OBDII connector, under driver side dash
CanL	A	~	16 pin	14	Green/Black	[DATA]	OBDII connector, under driver side dash
SWI 1	B	~	24 pin	1N	Red/Black	[DATA]	Behind radio
SWI Feed	B	~	24 pin	1P	Green/White	(-)	Behind radio

TROUBLESHOOTING TABLE

PROBLEM	SOLUTION
Maestro features/steering wheel controls stop working after a few seconds.	Ensure the GRAY/RED wire on the 18 pin connector of the RR is connected to accessory power.
Gauges do not work, radio shows OBD2 Error 1 or Error 2.	<p>Ensure the BROWN/RED and BROWN/YELLOW wires are connected to the OBDII (NOT the red/brown and yellow/brown wires).</p> <p>Check connections at the OBDII connector. Make sure the BROWN/RED wire is on PIN 6 and the BROWN/YELLOW wire is connected to PIN 14 of the OBDII connector. Do not use T-Taps. Soldering or military splicing methods are recommended.</p> <p>Reset the RR.</p>
The light on the Maestro is blinking RED TWICE .	<p>Ensure the 4-pin data cable is connected between the radio and the RR, and that it is plugged into the black port on the Maestro RR. The red and blue ports on the RR should be empty.</p> <p>Make sure the correct radio model and serial number were entered during the flash. Verify the radio's serial number entered during the flash matches what is listed on the radio screen. This can be found in the settings of the radio, listed as Device Id, Device Number, or Serial Number.</p>
The light on the Maestro is flashing RED once.	There is no firmware on the module; flash the RR module.

MAESTRO RR RESET PROCEDURE:

Turn the key to the OFF position, then disconnect all connectors from the module.
 Press and hold the module's programming button and connect all the connectors back to the module. Wait, the module's LED will flash RED rapidly (this may take up to 10 seconds).
 Release the programming button. Wait, the LED will turn solid GREEN for 2 seconds to show the reset was successful.

TECHNICAL ASSISTANCE

Phone: 1-866-427-2999

Email: maestro.support@idatalink.com

Web: maestro.idatalink.com/support add www.12voltdata.com/forum/

IMPORTANT: To ensure proper operation, the aftermarket radio needs to have the latest firmware from the manufacturer. Please visit the radio manufacturer's website and look for any updates pertaining to your radio.