



HOW TO USE THIS INSTALL GUIDE

- 1** Open the Bookmarks menu and find your vehicle OR scroll down until you find the install guide for your vehicle.
- 2** Print only the pages for your vehicle using the advanced options in the Print menu.
- 3** Install your Maestro RR according to the guide for your vehicle.

WARNING

Pressing the printer icon or “quick printing” this document will print all of the guides in this compilation.



INSTALL GUIDE SUBARU BRZ 2013-2016

RETAINS STEERING WHEEL CONTROLS AND ADDS GAUGES



PRODUCTS REQUIRED

iDatalink Maestro RR Radio Replacement Interface
iDatalink Compatible Radio

OPTIONAL ACCESSORIES

None

PROGRAMMED FIRMWARE

ADS-RR(SI)-SUB01-DS

NOTICE: Automotive Data Solutions Inc. (ADS) recommends having this installation performed by a certified technician. Logos and trademarks used here in are the properties of their respective owners.

WELCOME

Congratulations on the purchase of your iDatalink Maestro RR Radio replacement solution. You are now a few simple steps away from enjoying your new car radio with enhanced features.

Before starting your installation, please ensure that your iDatalink Maestro module is programmed with the correct firmware for your vehicle and that you carefully review the install guide.

Please note that Maestro RR will only retain functionalities that were originally available in the vehicle.

NEED HELP?

 **1 866 427-2999**

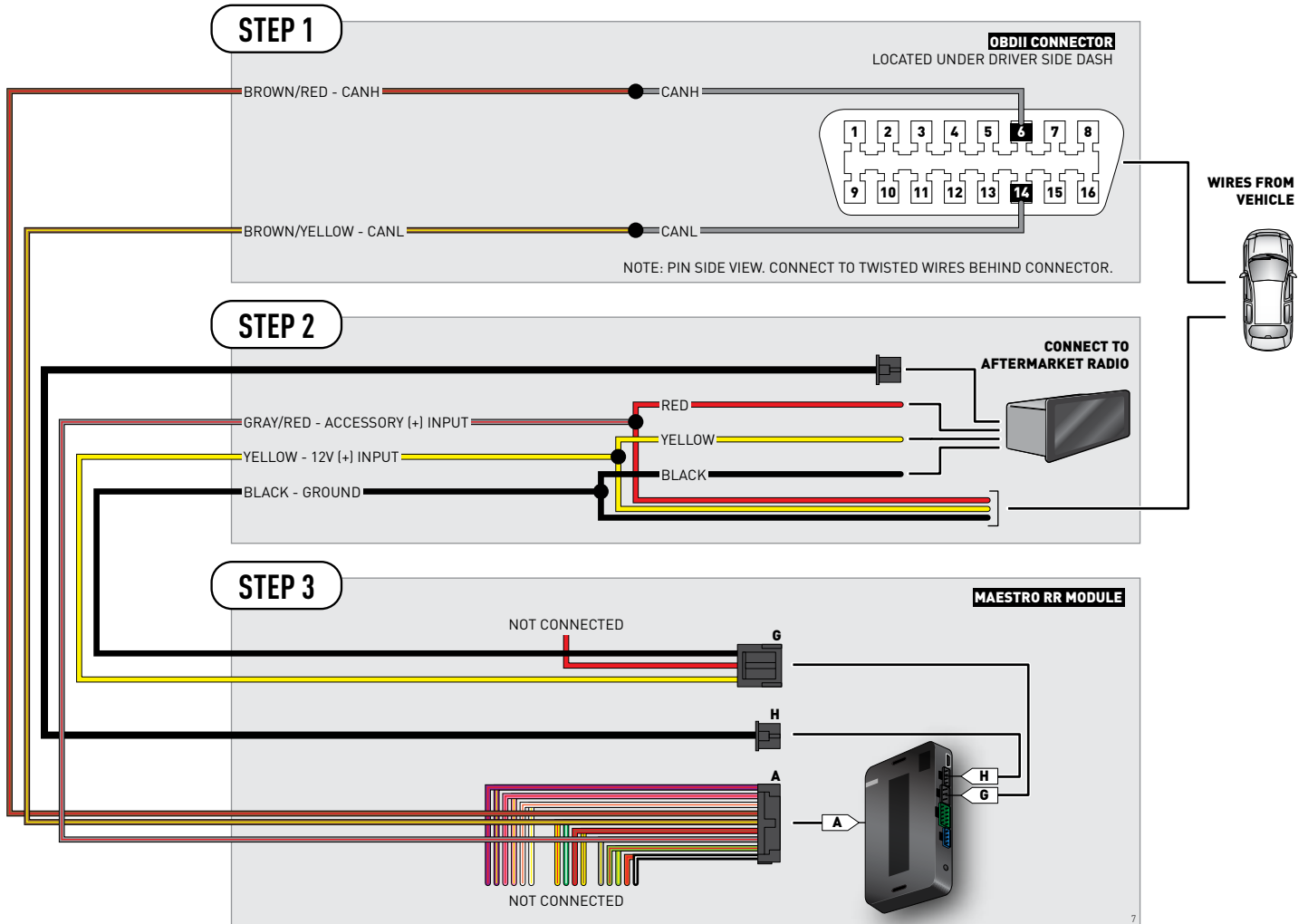
 support@idatalink.com

 maestro.idatalink.com/support
www.12voltdata.com/forum

TABLE OF CONTENTS

Wiring Diagram	3
Vehicle Wire Reference Chart	4

WIRING DIAGRAM



VEHICLE WIRE REFERENCE CHART

Wire Description	Connector Name	Connector Color	Connector Type	Position	Wire Color	Polarity	Wire Location
CanH	A	~	16 pin	06	Black/Yellow	[DATA]	OBDII connector, under driver side dash
CanL	A	~	16 pin	14	LtGreen	[DATA]	OBDII connector, under driver side dash



INSTALL GUIDE SUBARU FORESTER WITH NAV 2009-2013

RETAINS STEERING WHEEL CONTROLS AND ADDS GAUGES



PRODUCTS REQUIRED

iDatalink Maestro RR Radio Replacement Interface
iDatalink Compatible Radio

OPTIONAL ACCESSORIES

None

PROGRAMMED FIRMWARE

ADS-RR(SI)-SUB01-DS

NOTICE: Automotive Data Solutions Inc. (ADS) recommends having this installation performed by a certified technician. Logos and trademarks used here in are the properties of their respective owners.

WELCOME

Congratulations on the purchase of your iDatalink Maestro RR Radio replacement solution. You are now a few simple steps away from enjoying your new car radio with enhanced features.

Before starting your installation, please ensure that your iDatalink Maestro module is programmed with the correct firmware for your vehicle and that you carefully review the install guide.

Please note that Maestro RR will only retain functionalities that were originally available in the vehicle.

NEED HELP?

 **1 866 427-2999**

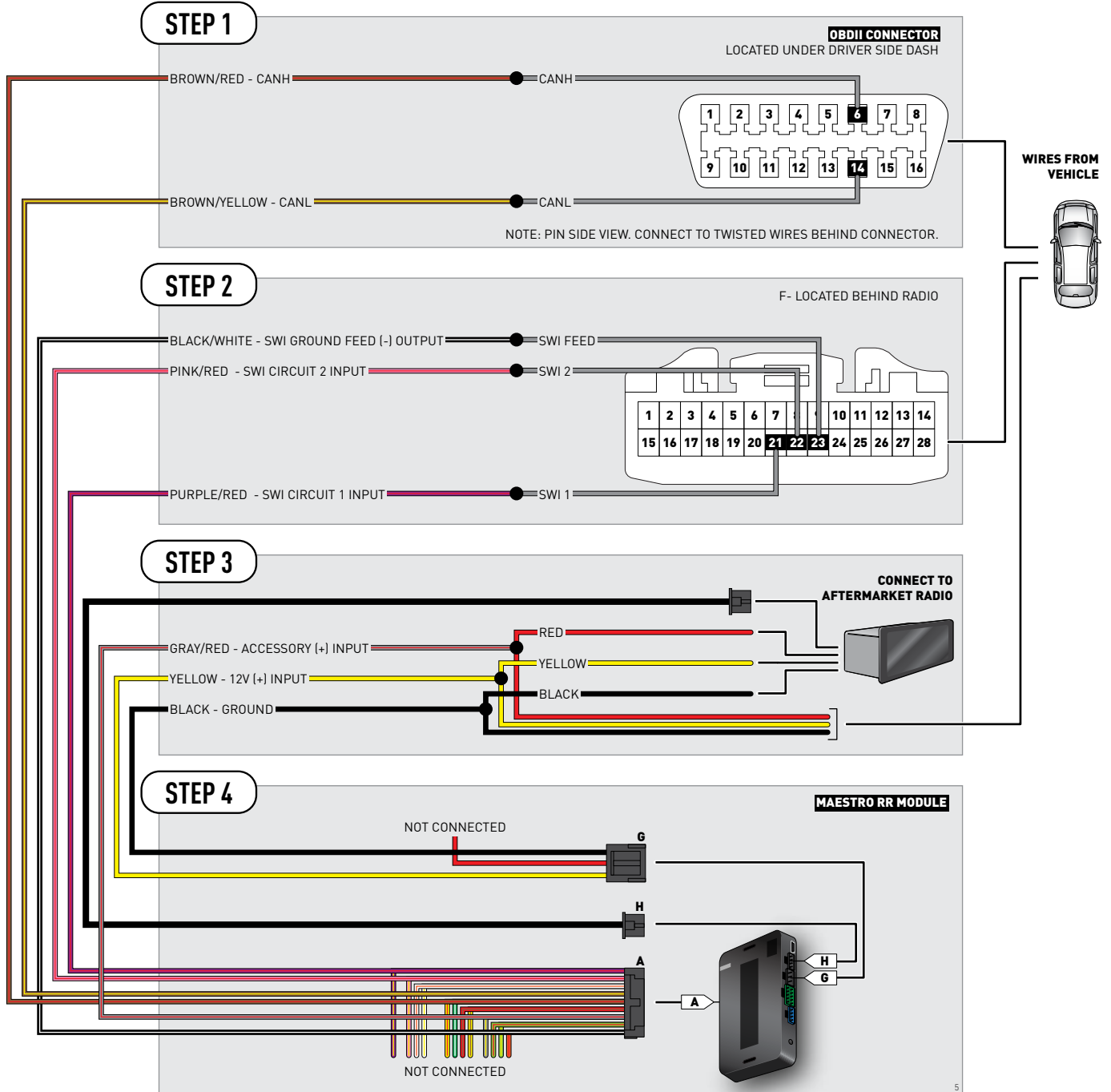
 support@idatalink.com

 maestro.idatalink.com/support
www.12voltdata.com/forum

TABLE OF CONTENTS

Wiring Diagram	3
Vehicle Wire Reference Chart	4

WIRING DIAGRAM



VEHICLE WIRE REFERENCE CHART

Wire Description	Connector Name	Connector Color	Connector Type	Position	Wire Color	Polarity	Wire Location
CanH	A	~	16 pin	6	Red	[DATA]	OBDII connector, under driver side dash
CanL	A	~	16 pin	14	Blue	[DATA]	OBDII connector, under driver side dash
SWI 1	F	~	28 pin	21	LtGreen/Red	[DATA]	Behind radio
SWI 2	F	~	28 pin	22	Red	[DATA]	Behind radio
SWI Feed	F	~	28 pin	23	Yellow	(-)	Behind radio



INSTALL GUIDE SUBARU FORESTER WITH NAV 2014-2015

RETAINS STEERING WHEEL CONTROLS AND ADDS GAUGES



PRODUCTS REQUIRED

iDatalink Maestro RR Radio Replacement Interface
iDatalink Compatible Radio

OPTIONAL ACCESSORIES

None

PROGRAMMED FIRMWARE

ADS-RR(SI)-SUB01-DS

NOTICE: Automotive Data Solutions Inc. (ADS) recommends having this installation performed by a certified technician. Logos and trademarks used here in are the properties of their respective owners.

WELCOME

Congratulations on the purchase of your iDatalink Maestro RR Radio replacement solution. You are now a few simple steps away from enjoying your new car radio with enhanced features.

Before starting your installation, please ensure that your iDatalink Maestro module is programmed with the correct firmware for your vehicle and that you carefully review the install guide.

Please note that Maestro RR will only retain functionalities that were originally available in the vehicle.

NEED HELP?

 **1 866 427-2999**

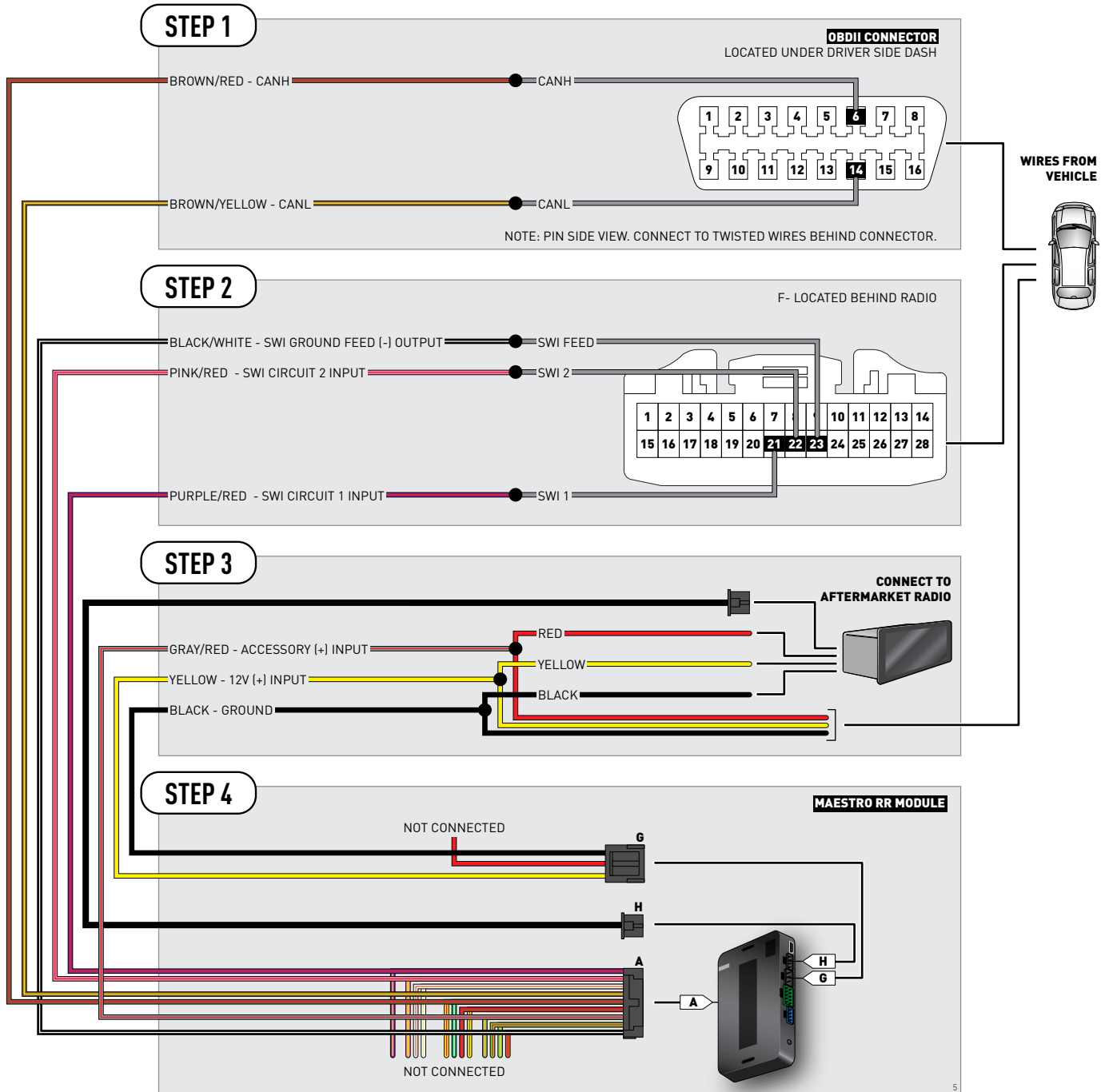
 support@idatalink.com

 maestro.idatalink.com/support
www.12voltdata.com/forum

TABLE OF CONTENTS

Wiring Diagram	3
Vehicle Wire Reference Chart	4

WIRING DIAGRAM



VEHICLE WIRE REFERENCE CHART

Wire Description	Connector Name	Connector Color	Connector Type	Position	Wire Color	Polarity	Wire Location
CanH	A	~	16 pin	6	Red	[DATA]	OBDII connector, under driver side dash
CanL	A	~	16 pin	14	Blue	[DATA]	OBDII connector, under driver side dash
SWI 1	F	~	28 pin	21	Pink	[DATA]	Behind radio
SWI 2	F	~	28 pin	22	Blue/Yellow	[DATA]	Behind radio
SWI Feed	F	~	28 pin	23	LtGreen	(-)	Behind radio



INSTALL GUIDE SUBARU FORESTER WITH NAV WITH SD CARD 2012-2013



PRODUCTS REQUIRED

iDatalink Maestro RR Radio Replacement Interface
iDatalink Compatible Radio

OPTIONAL ACCESSORIES

None

PROGRAMMED FIRMWARE

ADS-RR(SI)-SUB01-DS

NOTICE: Automotive Data Solutions Inc. (ADS) recommends having this installation performed by a certified technician. Logos and trademarks used here in are the properties of their respective owners.

WELCOME

Congratulations on the purchase of your iDatalink Maestro RR Radio replacement solution. You are now a few simple steps away from enjoying your new car radio with enhanced features.

Before starting your installation, please ensure that your iDatalink Maestro module is programmed with the correct firmware for your vehicle and that you carefully review the install guide.

Please note that Maestro RR will only retain functionalities that were originally available in the vehicle.

NEED HELP?

 **1 866 427-2999**

 support@idatalink.com

 maestro.idatalink.com/support
www.12voltdata.com/forum

TABLE OF CONTENTS

Wiring Diagram	3
Vehicle Wire Reference Chart	4

VEHICLE WIRE REFERENCE CHART

Wire Description	Connector Name	Connector Color	Connector Type	Position	Wire Color	Polarity	Wire Location
CanH	A	~	16 pin	6	Red	(DATA)	OBDII connector, under driver side dash
CanL	A	~	16 pin	14	Blue	(DATA)	OBDII connector, under driver side dash
SWI 1	E	~	24 pin	3	LtGreen/Red	(DATA)	Behind radio
SWI Feed	E	~	24 pin	15	Yellow	(-)	Behind radio



INSTALL GUIDE SUBARU FORESTER WITHOUT NAV 2012-2013

RETAINS STEERING WHEEL CONTROLS AND ADDS GAUGES



PRODUCTS REQUIRED

iDatalink Maestro RR Radio Replacement Interface
iDatalink Compatible Radio

OPTIONAL ACCESSORIES

None

PROGRAMMED FIRMWARE

ADS-RR(SI)-SUB01-DS

NOTICE: Automotive Data Solutions Inc. (ADS) recommends having this installation performed by a certified technician. Logos and trademarks used here in are the properties of their respective owners.

WELCOME

Congratulations on the purchase of your iDatalink Maestro RR Radio replacement solution. You are now a few simple steps away from enjoying your new car radio with enhanced features.

Before starting your installation, please ensure that your iDatalink Maestro module is programmed with the correct firmware for your vehicle and that you carefully review the install guide.

Please note that Maestro RR will only retain functionalities that were originally available in the vehicle.

NEED HELP?

 **1 866 427-2999**

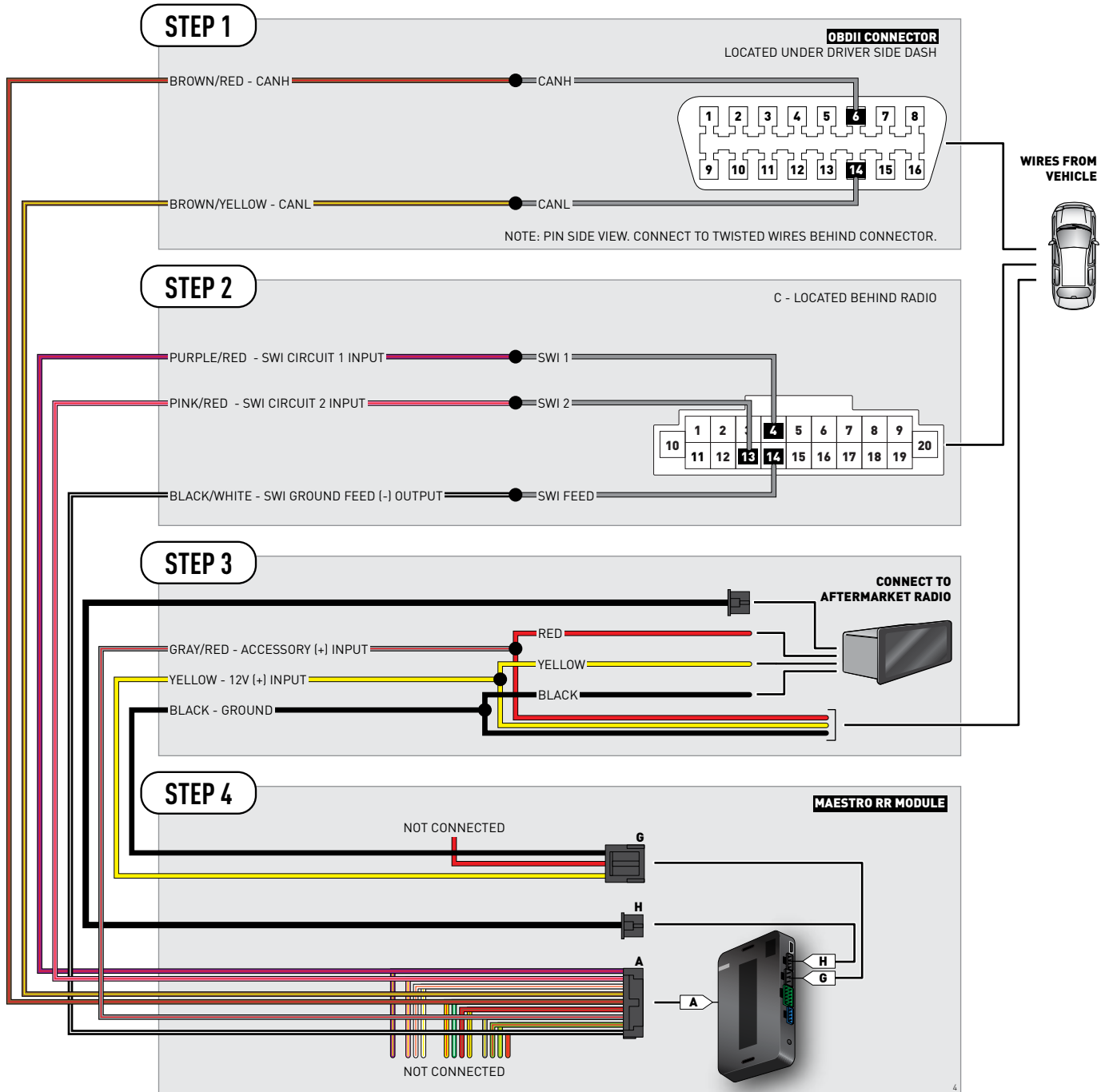
 support@idatalink.com

 maestro.idatalink.com/support
www.12voltdata.com/forum

TABLE OF CONTENTS

Wiring Diagram	3
Vehicle Wire Reference Chart	4

WIRING DIAGRAM



VEHICLE WIRE REFERENCE CHART

Wire Description	Connector Name	Connector Color	Connector Type	Position	Wire Color	Polarity	Wire Location
CanH	A	~	16 pin	6	Red	[DATA]	OBDII connector, under driver side dash
CanL	A	~	16 pin	14	Blue	[DATA]	OBDII connector, under driver side dash
SWI 1	C	~	20 pin	4	LtGreen/Red	[DATA]	Behind radio
SWI 2	C	~	20 pin	13	Red	[DATA]	Behind radio
SWI Feed	C	~	20 pin	14	Yellow	(-)	Behind radio



INSTALL GUIDE SUBARU FORESTER WITHOUT NAV 2014-2015

RETAINS STEERING WHEEL CONTROLS AND ADDS GAUGES



PRODUCTS REQUIRED

iDatalink Maestro RR Radio Replacement Interface
iDatalink Compatible Radio

OPTIONAL ACCESSORIES

None

PROGRAMMED FIRMWARE

ADS-RR(SI)-SUB01-DS

NOTICE: Automotive Data Solutions Inc. (ADS) recommends having this installation performed by a certified technician. Logos and trademarks used here in are the properties of their respective owners.

WELCOME

Congratulations on the purchase of your iDatalink Maestro RR Radio replacement solution. You are now a few simple steps away from enjoying your new car radio with enhanced features.

Before starting your installation, please ensure that your iDatalink Maestro module is programmed with the correct firmware for your vehicle and that you carefully review the install guide.

Please note that Maestro RR will only retain functionalities that were originally available in the vehicle.

NEED HELP?

 **1 866 427-2999**

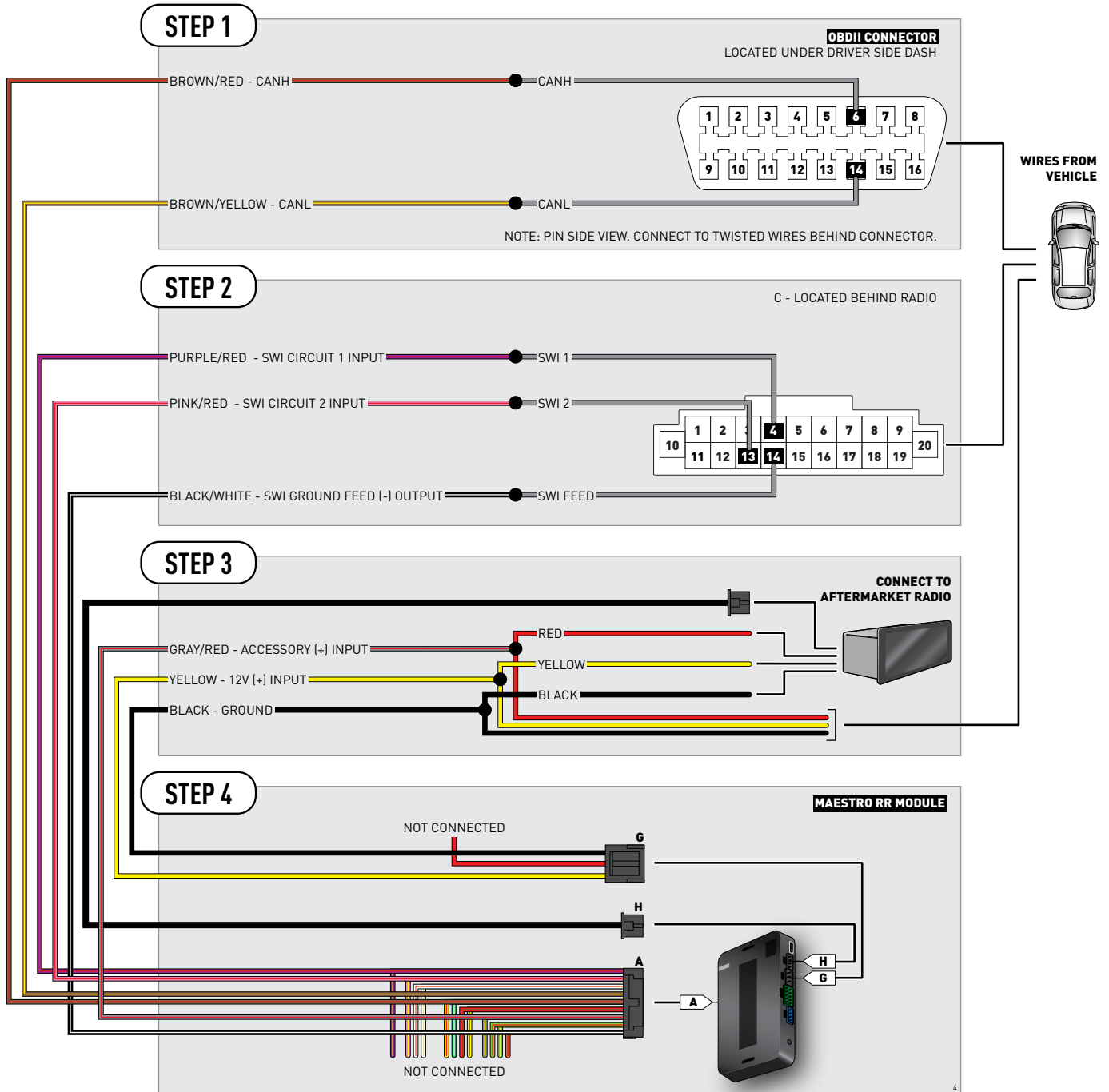
 support@idatalink.com

 maestro.idatalink.com/support
www.12voltdata.com/forum

TABLE OF CONTENTS

Wiring Diagram	3
Vehicle Wire Reference Chart	4

WIRING DIAGRAM



VEHICLE WIRE REFERENCE CHART

Wire Description	Connector Name	Connector Color	Connector Type	Position	Wire Color	Polarity	Wire Location
CanH	A	~	16 pin	6	Red	[DATA]	OBDII connector, under driver side dash
CanL	A	~	16 pin	14	Blue	[DATA]	OBDII connector, under driver side dash
SWI 1	C	~	20 pin	4	Pink	[DATA]	Behind radio
SWI 2	C	~	20 pin	13	Blue/Yellow	[DATA]	Behind radio
SWI Feed	C	~	20 pin	14	LtGreen	(-)	Behind radio



INSTALL GUIDE SUBARU IMPREZA 2015-2016

RETAINS STEERING WHEEL CONTROLS AND ADDS GAUGES



PRODUCTS REQUIRED

iDatalink Maestro RR Radio Replacement Interface
iDatalink Compatible Radio

OPTIONAL ACCESSORIES

None

PROGRAMMED FIRMWARE

ADS-RR(SI)-SUB01-DS

NOTICE: Automotive Data Solutions Inc. (ADS) recommends having this installation performed by a certified technician. Logos and trademarks used here in are the properties of their respective owners.


WELCOME

Congratulations on the purchase of your iDatalink Maestro RR Radio replacement solution. You are now a few simple steps away from enjoying your new car radio with enhanced features.

Before starting your installation, please ensure that your iDatalink Maestro module is programmed with the correct firmware for your vehicle and that you carefully review the install guide.

Please note that Maestro RR will only retain functionalities that were originally available in the vehicle.

NEED HELP?

 **1 866 427-2999**

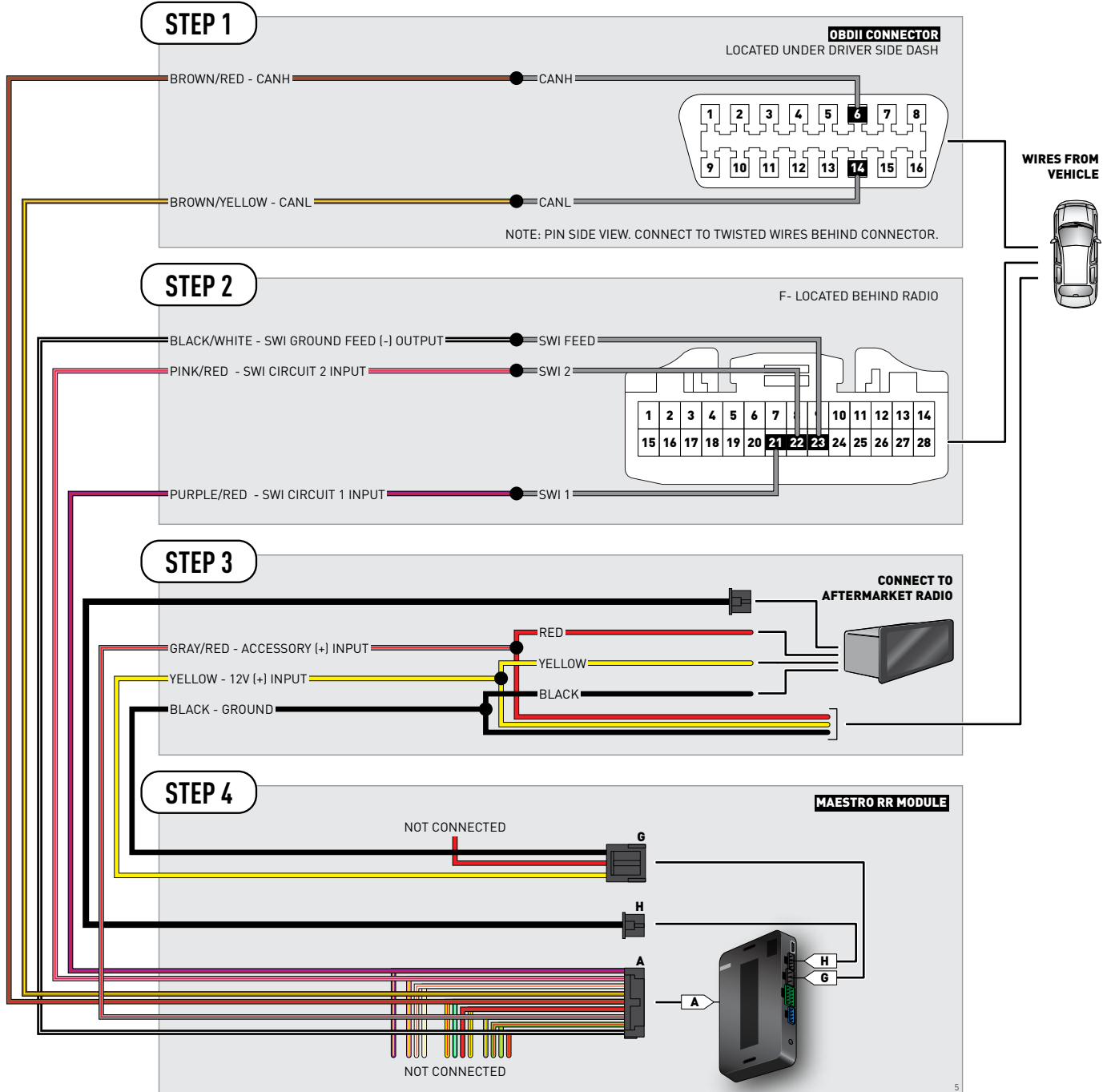
 support@idatalink.com

 maestro.idatalink.com/support
www.12voltdata.com/forum

TABLE OF CONTENTS

Wiring Diagram	3
Vehicle Wire Reference Chart	4

WIRING DIAGRAM



VEHICLE WIRE REFERENCE CHART

Wire Description	Connector Name	Connector Color	Connector Type	Position	Wire Color	Polarity	Wire Location
CanH	A	~	16 pin	6	Red	[DATA]	OBDII connector, under driver side dash
CanL	A	~	16 pin	14	Blue	[DATA]	OBDII connector, under driver side dash
SWI 1	F	~	28 pin	21	Brown/Black	[DATA]	Behind radio
SWI 2	F	~	28 pin	22	Blue/Yellow	[DATA]	Behind radio
SWI Feed	F	~	28 pin	23	Yellow	(-)	Behind radio



INSTALL GUIDE SUBARU IMPREZA WITH NAV 2008-2011

RETAINS STEERING WHEEL CONTROLS AND ADDS GAUGES



PRODUCTS REQUIRED

iDatalink Maestro RR Radio Replacement Interface
iDatalink Compatible Radio

OPTIONAL ACCESSORIES

None

PROGRAMMED FIRMWARE

ADS-RR(SI)-SUB01-DS

NOTICE: Automotive Data Solutions Inc. (ADS) recommends having this installation performed by a certified technician. Logos and trademarks used here in are the properties of their respective owners.

WELCOME

Congratulations on the purchase of your iDatalink Maestro RR Radio replacement solution. You are now a few simple steps away from enjoying your new car radio with enhanced features.

Before starting your installation, please ensure that your iDatalink Maestro module is programmed with the correct firmware for your vehicle and that you carefully review the install guide.

Please note that Maestro RR will only retain functionalities that were originally available in the vehicle.

NEED HELP?

 **1 866 427-2999**

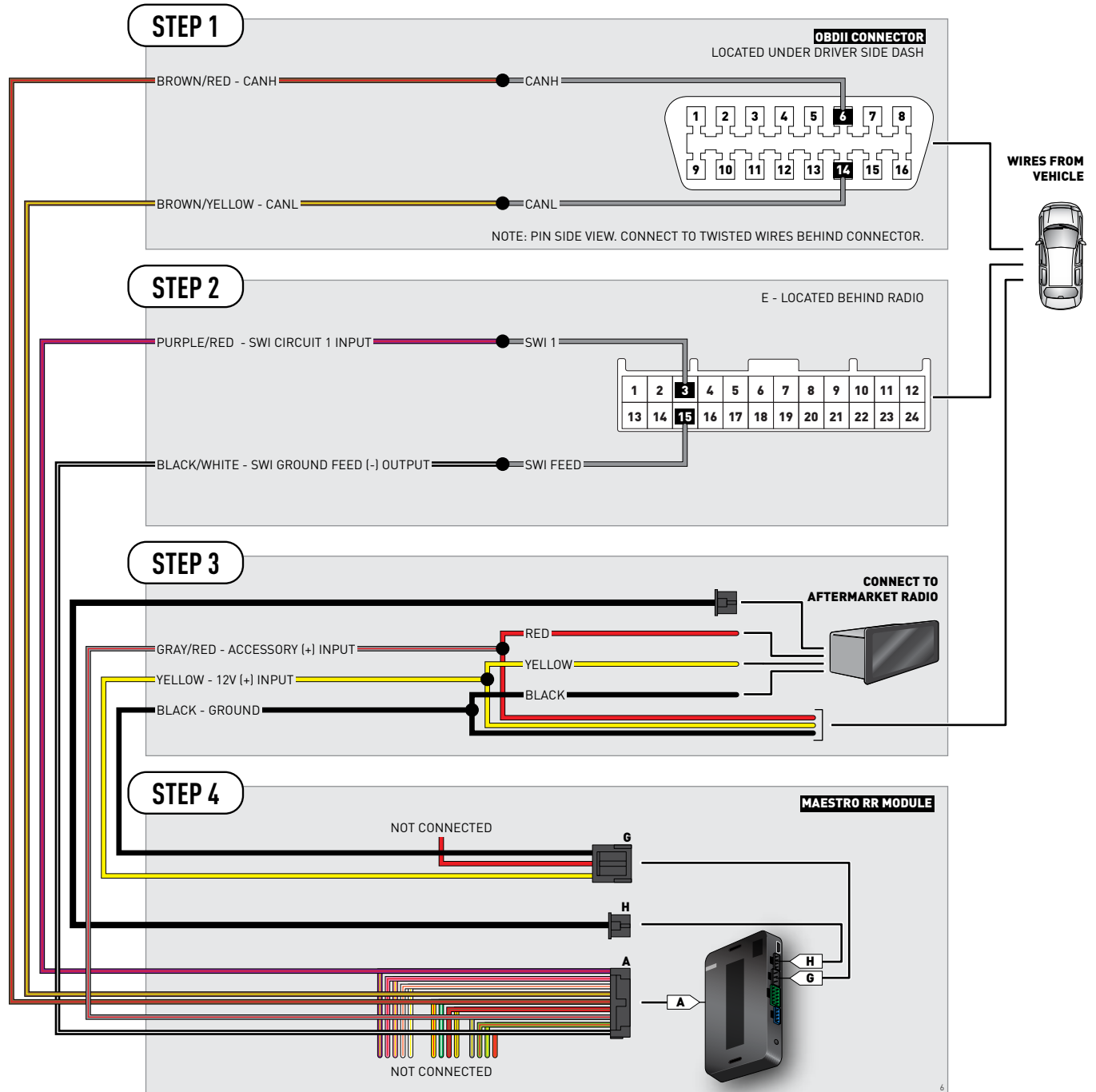
 support@idatalink.com

 maestro.idatalink.com/support
www.12voltdata.com/forum

TABLE OF CONTENTS

Wiring Diagram	3
Vehicle Wire Reference Chart	4

WIRING DIAGRAM



VEHICLE WIRE REFERENCE CHART

Wire Description	Connector Name	Connector Color	Connector Type	Position	Wire Color	Polarity	Wire Location
CanH	A	~	16 pin	6	Red	(DATA)	OBDII connector, under driver side dash
CanL	A	~	16 pin	14	Blue	(DATA)	OBDII connector, under driver side dash
SWI 1	E	~	24 pin	3	Brown	(DATA)	Behind radio
SWI Feed	E	~	24 pin	15	Yellow	(-)	Behind radio



INSTALL GUIDE SUBARU IMPREZA WITH NAV 2012-2014

RETAINS STEERING WHEEL CONTROLS AND ADDS GAUGES



PRODUCTS REQUIRED

iDatalink Maestro RR Radio Replacement Interface
iDatalink Compatible Radio

OPTIONAL ACCESSORIES

None

PROGRAMMED FIRMWARE

ADS-RR(SI)-SUB01-DS

NOTICE: Automotive Data Solutions Inc. (ADS) recommends having this installation performed by a certified technician. Logos and trademarks used here in are the properties of their respective owners.

WELCOME

Congratulations on the purchase of your iDatalink Maestro RR Radio replacement solution. You are now a few simple steps away from enjoying your new car radio with enhanced features.

Before starting your installation, please ensure that your iDatalink Maestro module is programmed with the correct firmware for your vehicle and that you carefully review the install guide.

Please note that Maestro RR will only retain functionalities that were originally available in the vehicle.

NEED HELP?

 **1 866 427-2999**

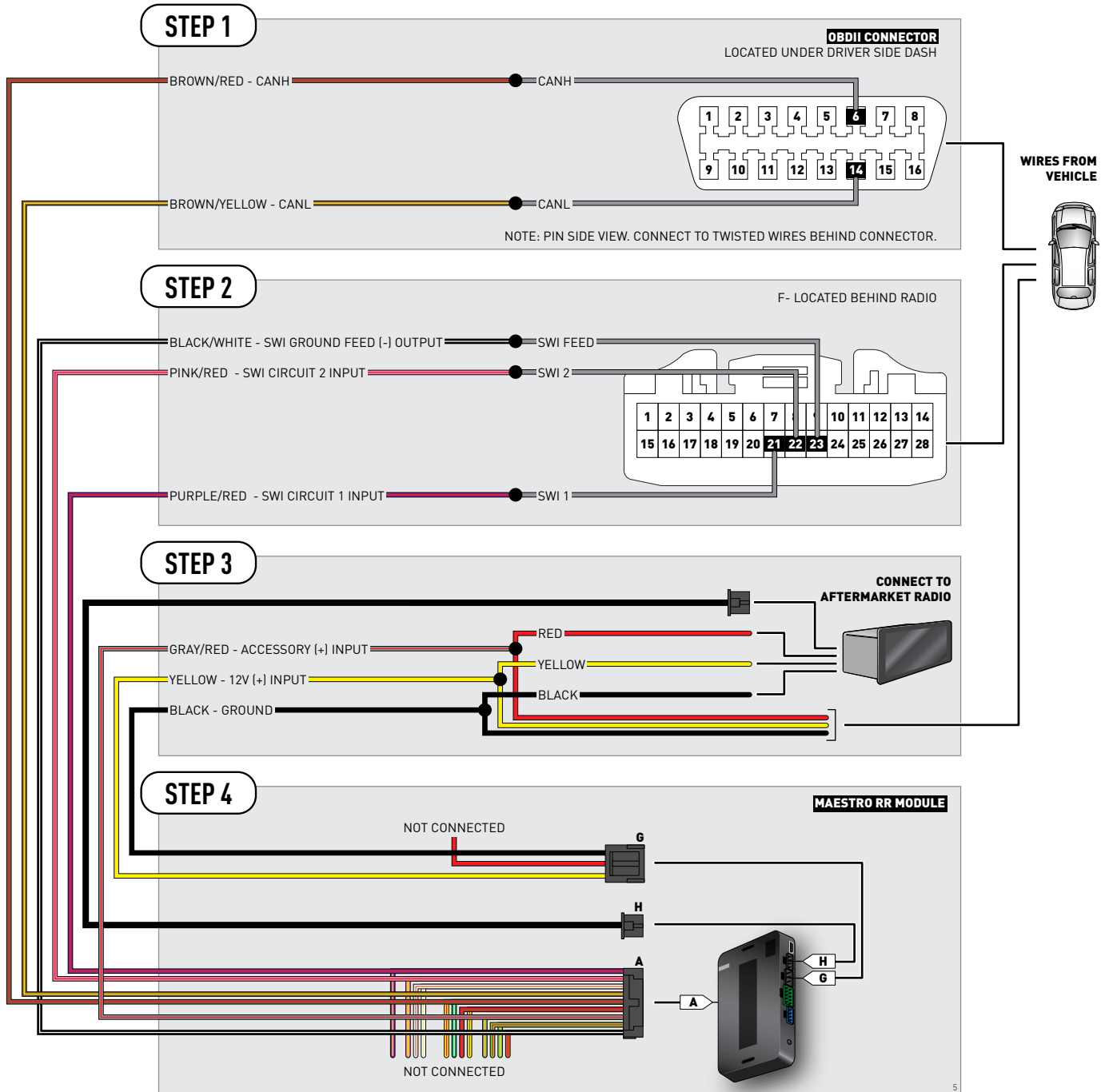
 support@idatalink.com

 maestro.idatalink.com/support
www.12voltdata.com/forum

TABLE OF CONTENTS

Wiring Diagram	3
Vehicle Wire Reference Chart	4

WIRING DIAGRAM



VEHICLE WIRE REFERENCE CHART

Wire Description	Connector Name	Connector Color	Connector Type	Position	Wire Color	Polarity	Wire Location
CanH	A	~	16 pin	6	Red	[DATA]	OBDII connector, under driver side dash
CanL	A	~	16 pin	14	Blue	[DATA]	OBDII connector, under driver side dash
SWI 1	F	~	28 pin	21	Brown	[DATA]	Behind radio
SWI 2	F	~	28 pin	22	Blue/White	[DATA]	Behind radio
SWI Feed	F	~	28 pin	23	Yellow	(-)	Behind radio



INSTALL GUIDE SUBARU IMPREZA WITHOUT NAV 2008-2014

RETAINS STEERING WHEEL CONTROLS AND ADDS GAUGES



PRODUCTS REQUIRED

iDatalink Maestro RR Radio Replacement Interface
iDatalink Compatible Radio

OPTIONAL ACCESSORIES

None

PROGRAMMED FIRMWARE

ADS-RR(SI)-SUB01-DS

NOTICE: Automotive Data Solutions Inc. (ADS) recommends having this installation performed by a certified technician. Logos and trademarks used here in are the properties of their respective owners.

WELCOME

Congratulations on the purchase of your iDatalink Maestro RR Radio replacement solution. You are now a few simple steps away from enjoying your new car radio with enhanced features.

Before starting your installation, please ensure that your iDatalink Maestro module is programmed with the correct firmware for your vehicle and that you carefully review the install guide.

Please note that Maestro RR will only retain functionalities that were originally available in the vehicle.

NEED HELP?

 **1 866 427-2999**

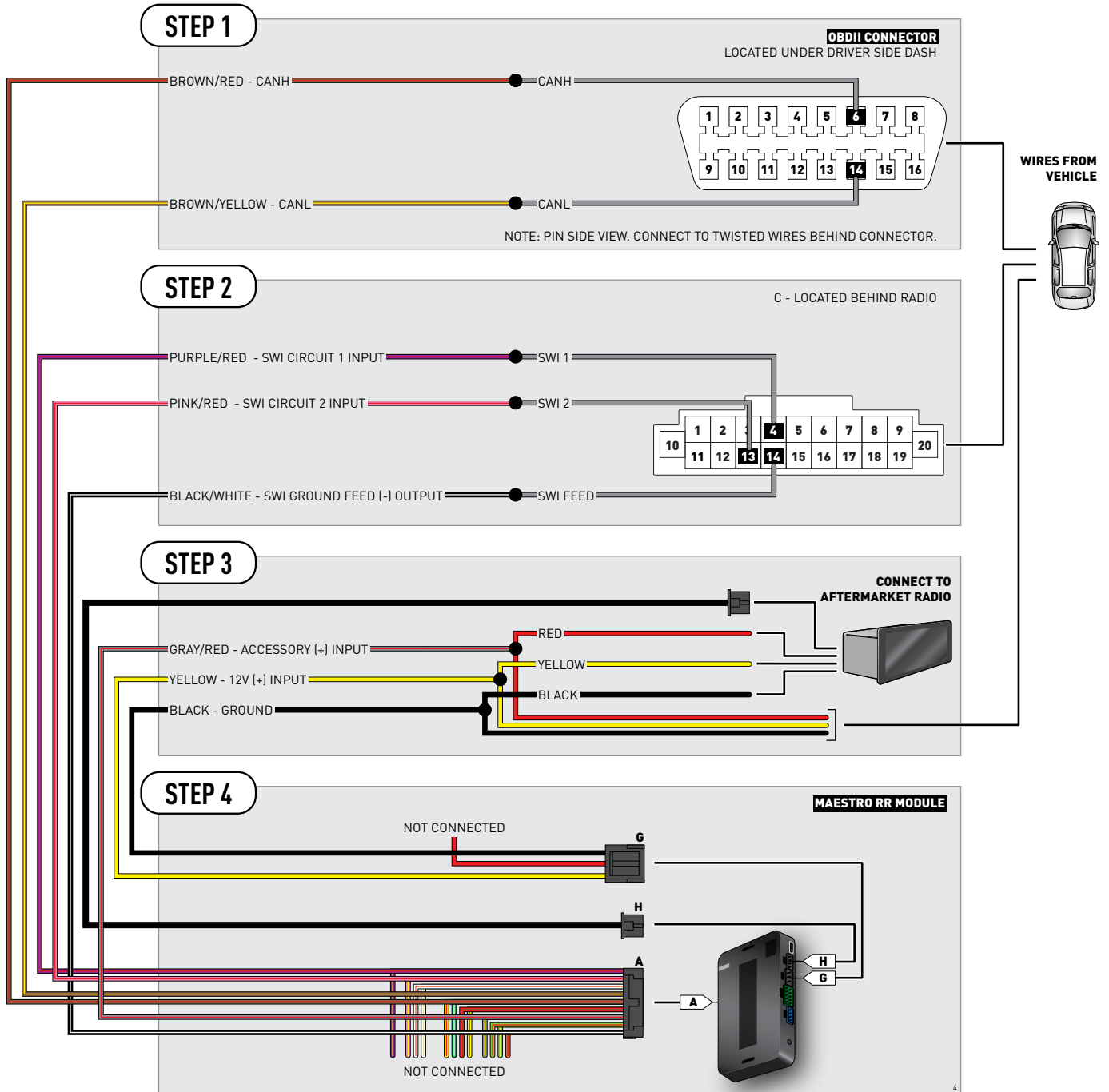
 support@idatalink.com

 maestro.idatalink.com/support
www.12voltdata.com/forum

TABLE OF CONTENTS

Wiring Diagram	3
Vehicle Wire Reference Chart	4

WIRING DIAGRAM



VEHICLE WIRE REFERENCE CHART

Wire Description	Connector Name	Connector Color	Connector Type	Position	Wire Color	Polarity	Wire Location
CanH	A	~	16 pin	6	Red	(DATA)	OBDII connector, under driver side dash
CanL	A	~	16 pin	14	Blue	(DATA)	OBDII connector, under driver side dash
SWI 1	C	~	20 pin	4	Brown	(DATA)	Behind radio
SWI 2	C	~	20 pin	13	Blue/White	(DATA)	Behind radio
SWI Feed	C	~	20 pin	14	Yellow	(-)	Behind radio



INSTALL GUIDE SUBARU LEGACY 2007-2009

RETAINS STEERING WHEEL CONTROLS AND ADDS GAUGES



PRODUCTS REQUIRED

iDatalink Maestro RR Radio Replacement Interface
iDatalink Compatible Radio

OPTIONAL ACCESSORIES

None

PROGRAMMED FIRMWARE

ADS-RR(SI)-SUB01-DS

NOTICE: Automotive Data Solutions Inc. (ADS) recommends having this installation performed by a certified technician. Logos and trademarks used here in are the properties of their respective owners.

WELCOME

Congratulations on the purchase of your iDatalink Maestro RR Radio replacement solution. You are now a few simple steps away from enjoying your new car radio with enhanced features.

Before starting your installation, please ensure that your iDatalink Maestro module is programmed with the correct firmware for your vehicle and that you carefully review the install guide.

Please note that Maestro RR will only retain functionalities that were originally available in the vehicle.

NEED HELP?

 **1 866 427-2999**

 support@idatalink.com


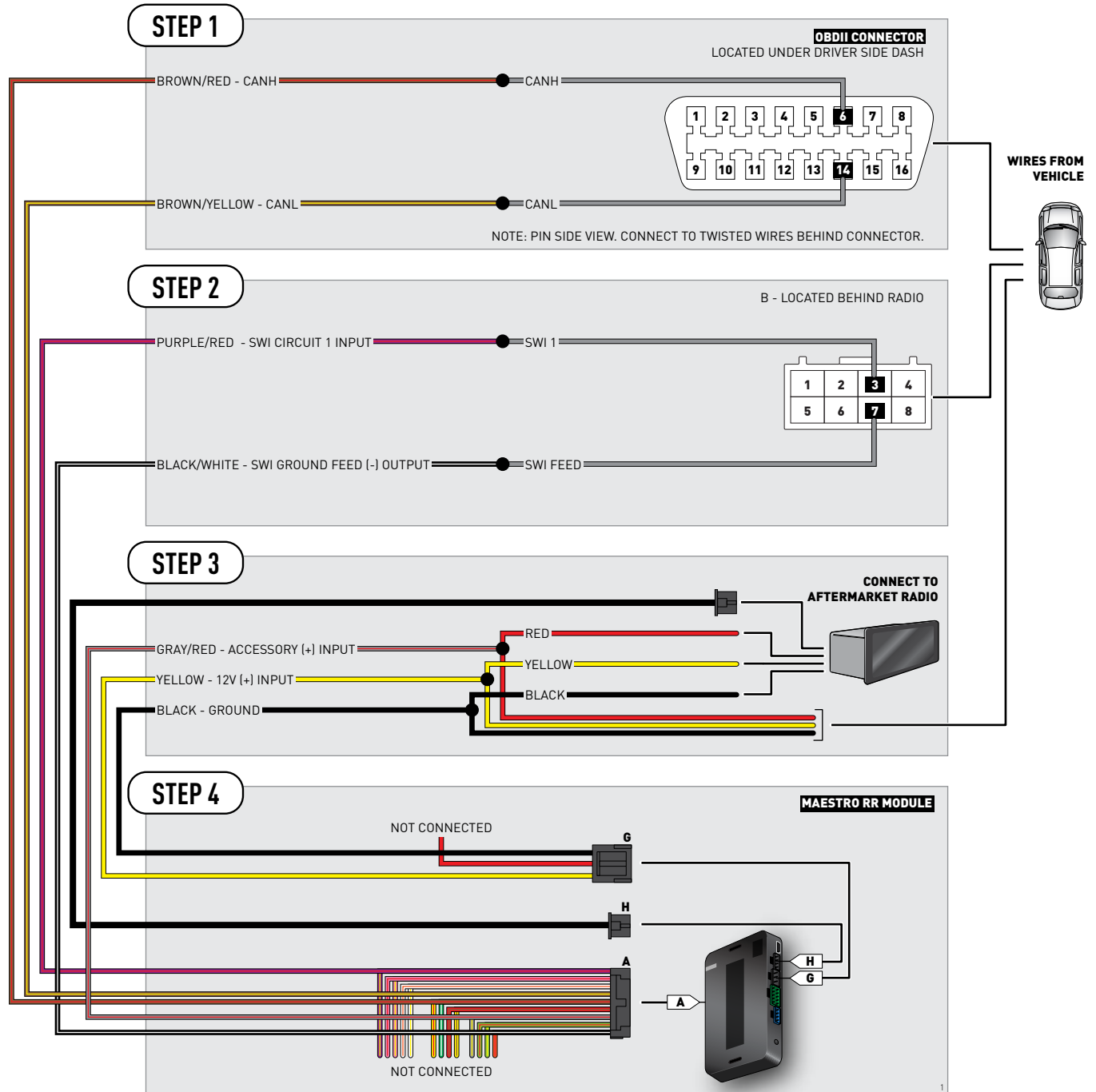
 maestro.idatalink.com/support
www.12voltdata.com/forum

TABLE OF CONTENTS

Wiring Diagram	3
Vehicle Wire Reference Chart	4

WIRING DIAGRAM



VEHICLE WIRE REFERENCE CHART

Wire Description	Connector Name	Connector Color	Connector Type	Position	Wire Color	Polarity	Wire Location
CanH	A	~	16 pin	6	Red	(DATA)	OBDII connector, under driver side dash
CanL	A	~	16 pin	14	Blue	(DATA)	OBDII connector, under driver side dash
SWI 1	B	~	08 pin	3	Violet/White	(DATA)	Behind radio
SWI Feed	B	~	08 pin	7	Orange/White	(-)	Behind radio



INSTALL GUIDE SUBARU LEGACY 2015-2016

RETAINS STEERING WHEEL CONTROLS AND ADDS GAUGES



PRODUCTS REQUIRED

iDatalink Maestro RR Radio Replacement Interface
iDatalink Compatible Radio

OPTIONAL ACCESSORIES

None

PROGRAMMED FIRMWARE

ADS-RR(SI)-SUB01-DS

NOTICE: Automotive Data Solutions Inc. (ADS) recommends having this installation performed by a certified technician. Logos and trademarks used here in are the properties of their respective owners.

WELCOME

Congratulations on the purchase of your iDatalink Maestro RR Radio replacement solution. You are now a few simple steps away from enjoying your new car radio with enhanced features.

Before starting your installation, please ensure that your iDatalink Maestro module is programmed with the correct firmware for your vehicle and that you carefully review the install guide.

Please note that Maestro RR will only retain functionalities that were originally available in the vehicle.

NEED HELP?

 **1 866 427-2999**

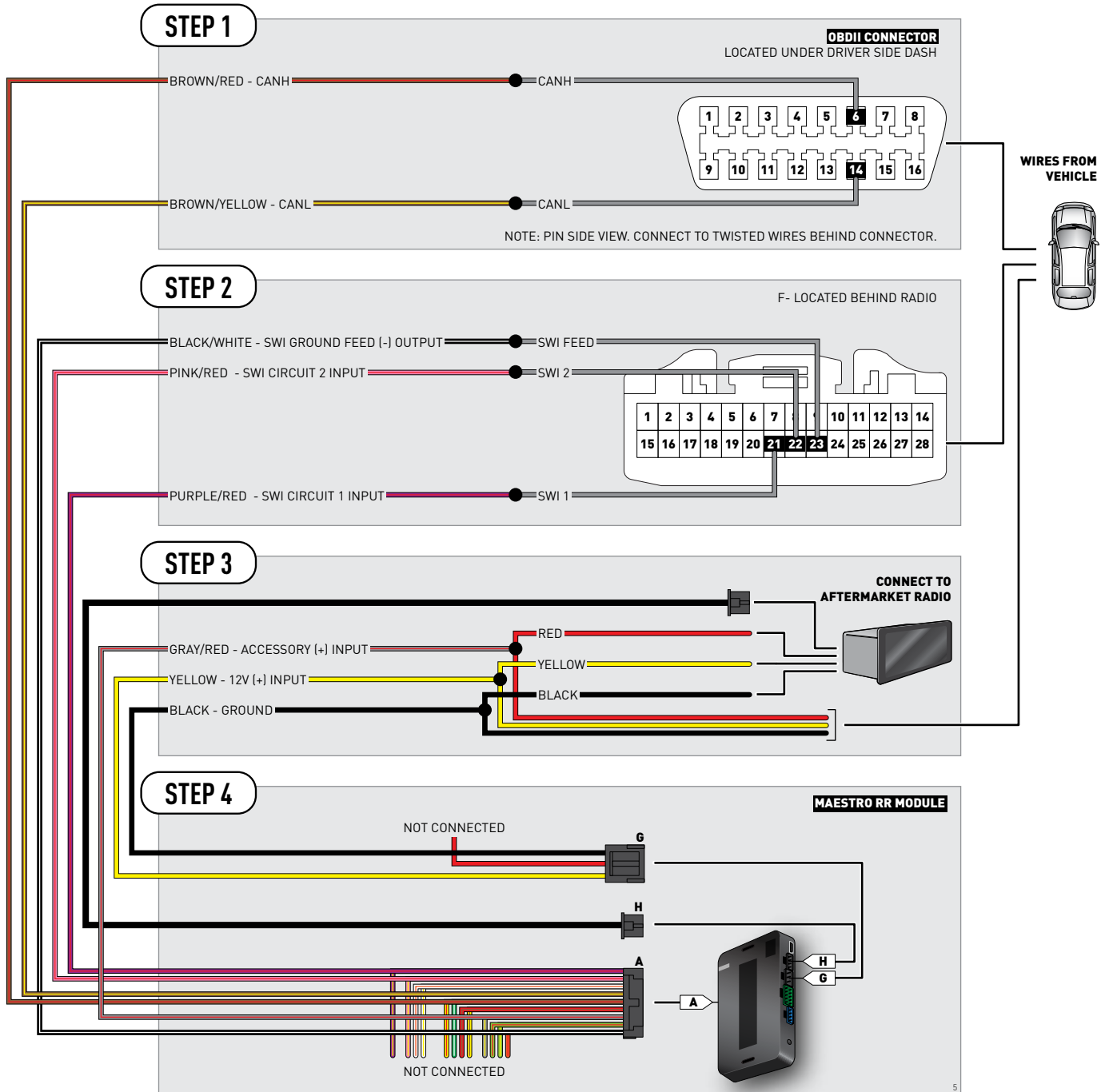
 support@idatalink.com

 maestro.idatalink.com/support
www.12voltdata.com/forum

TABLE OF CONTENTS

Wiring Diagram	3
Vehicle Wire Reference Chart	4

WIRING DIAGRAM



VEHICLE WIRE REFERENCE CHART

Wire Description	Connector Name	Connector Color	Connector Type	Position	Wire Color	Polarity	Wire Location
CanH	A	~	16 pin	6	Red	[DATA]	OBDII connector, under driver side dash
CanL	A	~	16 pin	14	Blue	[DATA]	OBDII connector, under driver side dash
SWI 1	F	~	28 pin	21	Pink	[DATA]	Behind radio
SWI 2	F	~	28 pin	22	Brown	[DATA]	Behind radio
SWI Feed	F	~	28 pin	23	Purple	(-)	Behind radio



INSTALL GUIDE SUBARU LEGACY BASE 2010-2014

RETAINS STEERING WHEEL CONTROLS AND ADDS GAUGES



PRODUCTS REQUIRED

iDatalink Maestro RR Radio Replacement Interface
iDatalink Compatible Radio

OPTIONAL ACCESSORIES

None

PROGRAMMED FIRMWARE

ADS-RR(SI)-SUB01-DS

NOTICE: Automotive Data Solutions Inc. (ADS) recommends having this installation performed by a certified technician. Logos and trademarks used here in are the properties of their respective owners.

WELCOME

Congratulations on the purchase of your iDatalink Maestro RR Radio replacement solution. You are now a few simple steps away from enjoying your new car radio with enhanced features.

Before starting your installation, please ensure that your iDatalink Maestro module is programmed with the correct firmware for your vehicle and that you carefully review the install guide.

Please note that Maestro RR will only retain functionalities that were originally available in the vehicle.

NEED HELP?

 **1 866 427-2999**

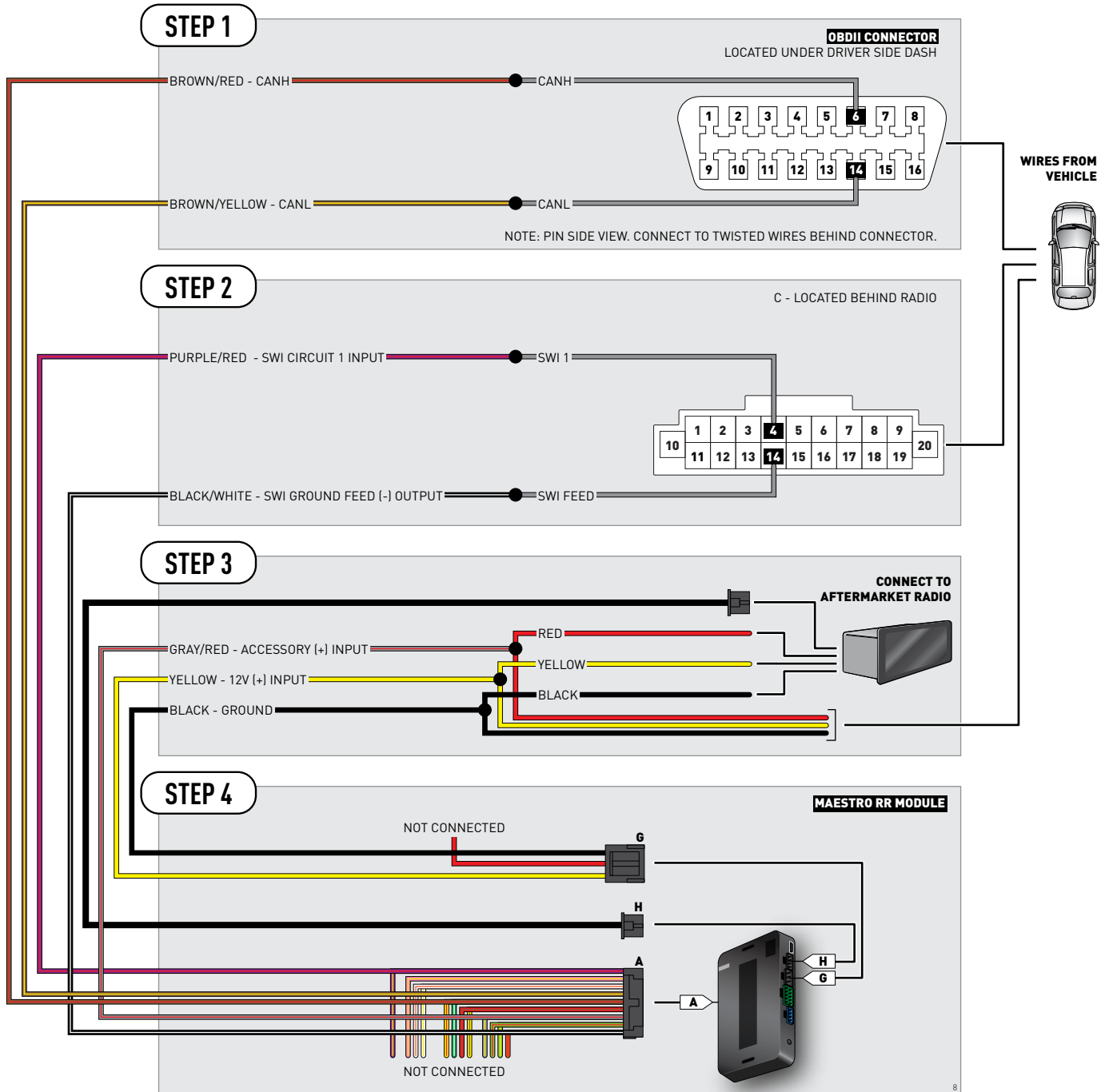
 **support@idatalink.com**

 **maestro.idatalink.com/support
www.12voltdata.com/forum**

TABLE OF CONTENTS

Wiring Diagram	3
Vehicle Wire Reference Chart	4

WIRING DIAGRAM



VEHICLE WIRE REFERENCE CHART

Wire Description	Connector Name	Connector Color	Connector Type	Position	Wire Color	Polarity	Wire Location
CanH	A	~	16 pin	6	Red	(DATA)	OBDII connector, under driver side dash
CanL	A	~	16 pin	14	Blue	(DATA)	OBDII connector, under driver side dash
SWI 1	C	~	20 pin	4	Purple/White	(DATA)	Behind radio
SWI Feed	C	~	20 pin	14	Orange/White	(-)	Behind radio



INSTALL GUIDE SUBARU LEGACY WITH BLUETOOTH 2012-2014

RETAINS STEERING WHEEL CONTROLS AND ADDS GAUGES



PRODUCTS REQUIRED

iDatalink Maestro RR Radio Replacement Interface
iDatalink Compatible Radio

OPTIONAL ACCESSORIES

None

PROGRAMMED FIRMWARE

ADS-RR(SI)-SUB01-DS

NOTICE: Automotive Data Solutions Inc. (ADS) recommends having this installation performed by a certified technician. Logos and trademarks used here in are the properties of their respective owners.

WELCOME

Congratulations on the purchase of your iDatalink Maestro RR Radio replacement solution. You are now a few simple steps away from enjoying your new car radio with enhanced features.

Before starting your installation, please ensure that your iDatalink Maestro module is programmed with the correct firmware for your vehicle and that you carefully review the install guide.

Please note that Maestro RR will only retain functionalities that were originally available in the vehicle.

NEED HELP?

 **1 866 427-2999**

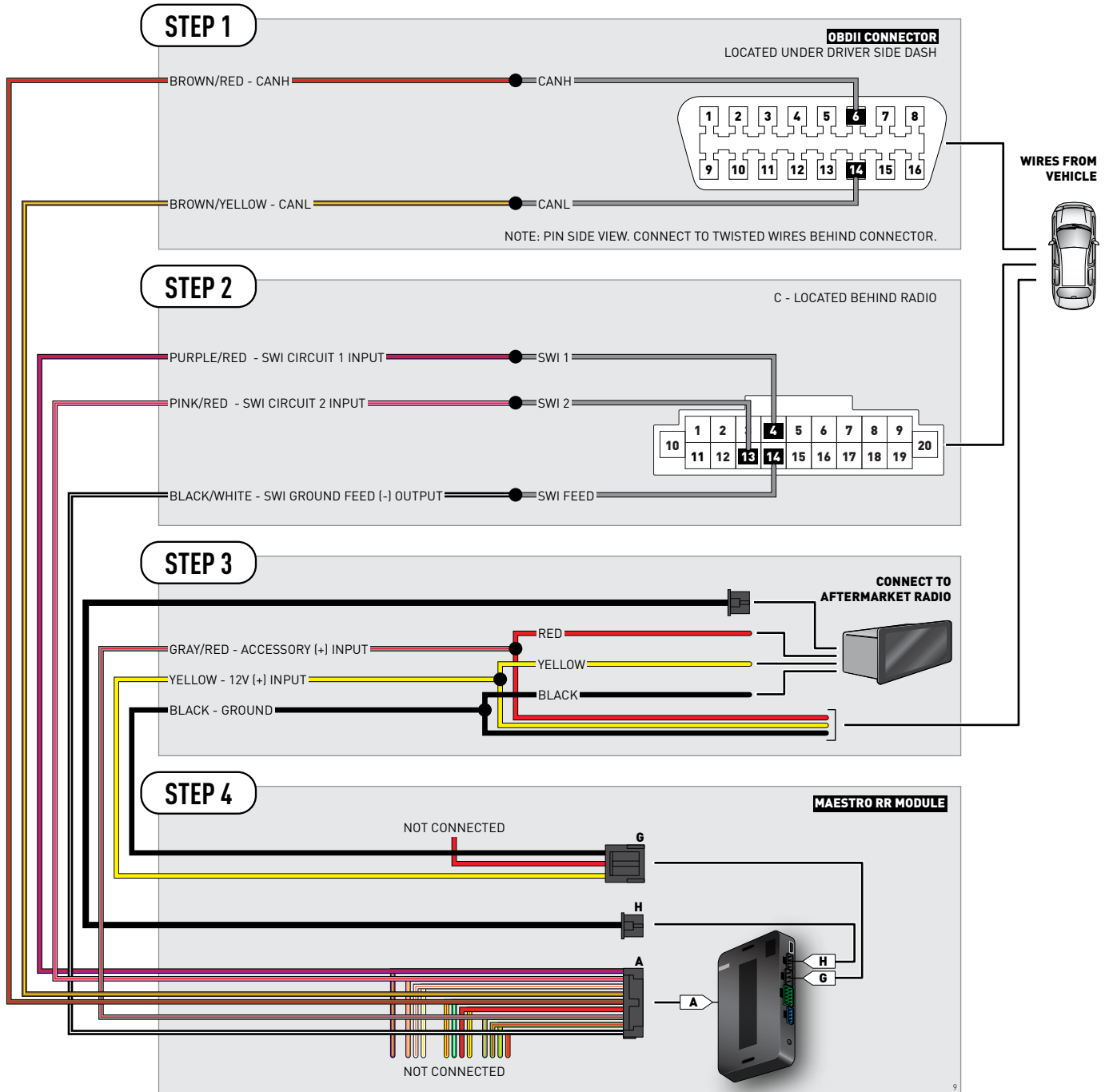
 support@idatalink.com

 maestro.idatalink.com/support
www.12voltdata.com/forum

TABLE OF CONTENTS

Wiring Diagram	3
Vehicle Wire Reference Chart	4

WIRING DIAGRAM



VEHICLE WIRE REFERENCE CHART

Wire Description	Connector Name	Connector Color	Connector Type	Position	Wire Color	Polarity	Wire Location
CanH	A	~	16 pin	6	Red	[DATA]	OBDII connector, under driver side dash
CanL	A	~	16 pin	14	Blue	[DATA]	OBDII connector, under driver side dash
SWI 1	C	~	20 pin	4	Purple/White	[DATA]	Behind radio
SWI 2	C	~	20 pin	13	Blue/White	[DATA]	Behind radio
SWI Feed	C	~	20 pin	14	Orange/White	(-)	Behind radio



INSTALL GUIDE SUBARU LEGACY WITH HARMAN KARDON 2010-2011



PRODUCTS REQUIRED

iDatalink Maestro RR Radio Replacement Interface
iDatalink Compatible Radio

OPTIONAL ACCESSORIES

None

PROGRAMMED FIRMWARE

ADS-RR(SI)-SUB01-DS

NOTICE: Automotive Data Solutions Inc. (ADS) recommends having this installation performed by a certified technician. Logos and trademarks used here in are the properties of their respective owners.

WELCOME

Congratulations on the purchase of your iDatalink Maestro RR Radio replacement solution. You are now a few simple steps away from enjoying your new car radio with enhanced features.

Before starting your installation, please ensure that your iDatalink Maestro module is programmed with the correct firmware for your vehicle and that you carefully review the install guide.

Please note that Maestro RR will only retain functionalities that were originally available in the vehicle.

NEED HELP?

 **1 866 427-2999**

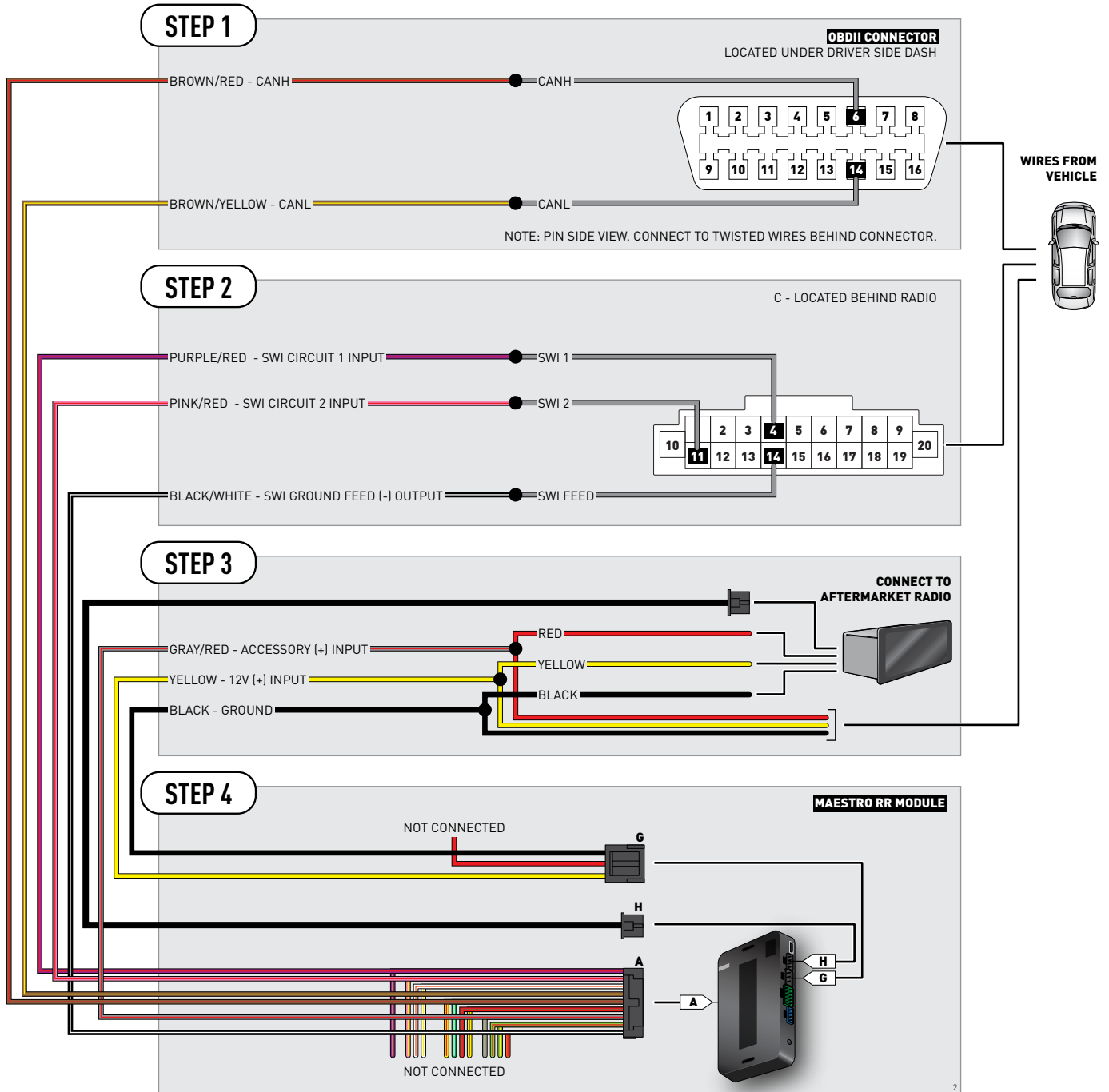
 support@idatalink.com

 maestro.idatalink.com/support
www.12voltdata.com/forum

TABLE OF CONTENTS

Wiring Diagram	3
Vehicle Wire Reference Chart	4

WIRING DIAGRAM



VEHICLE WIRE REFERENCE CHART

Wire Description	Connector Name	Connector Color	Connector Type	Position	Wire Color	Polarity	Wire Location
CanH	A	~	16 pin	6	Red	[DATA]	OBDII connector, under driver side dash
CanL	A	~	16 pin	14	Blue	[DATA]	OBDII connector, under driver side dash
SWI 1	C	~	20 pin	4	Purple/White	[DATA]	Behind radio
SWI 2	C	~	20 pin	11	Blue/White	[DATA]	Behind radio
SWI Feed	C	~	20 pin	14	Orange/White	(-)	Behind radio



INSTALL GUIDE SUBARU LEGACY WITH HARMAN KARDON 2012-2014



PRODUCTS REQUIRED

iDatalink Maestro RR Radio Replacement Interface
iDatalink Compatible Radio

OPTIONAL ACCESSORIES

None

PROGRAMMED FIRMWARE

ADS-RR(SI)-SUB01-DS

NOTICE: Automotive Data Solutions Inc. (ADS) recommends having this installation performed by a certified technician. Logos and trademarks used here in are the properties of their respective owners.

WELCOME

Congratulations on the purchase of your iDatalink Maestro RR Radio replacement solution. You are now a few simple steps away from enjoying your new car radio with enhanced features.

Before starting your installation, please ensure that your iDatalink Maestro module is programmed with the correct firmware for your vehicle and that you carefully review the install guide.

Please note that Maestro RR will only retain functionalities that were originally available in the vehicle.

NEED HELP?

 **1 866 427-2999**

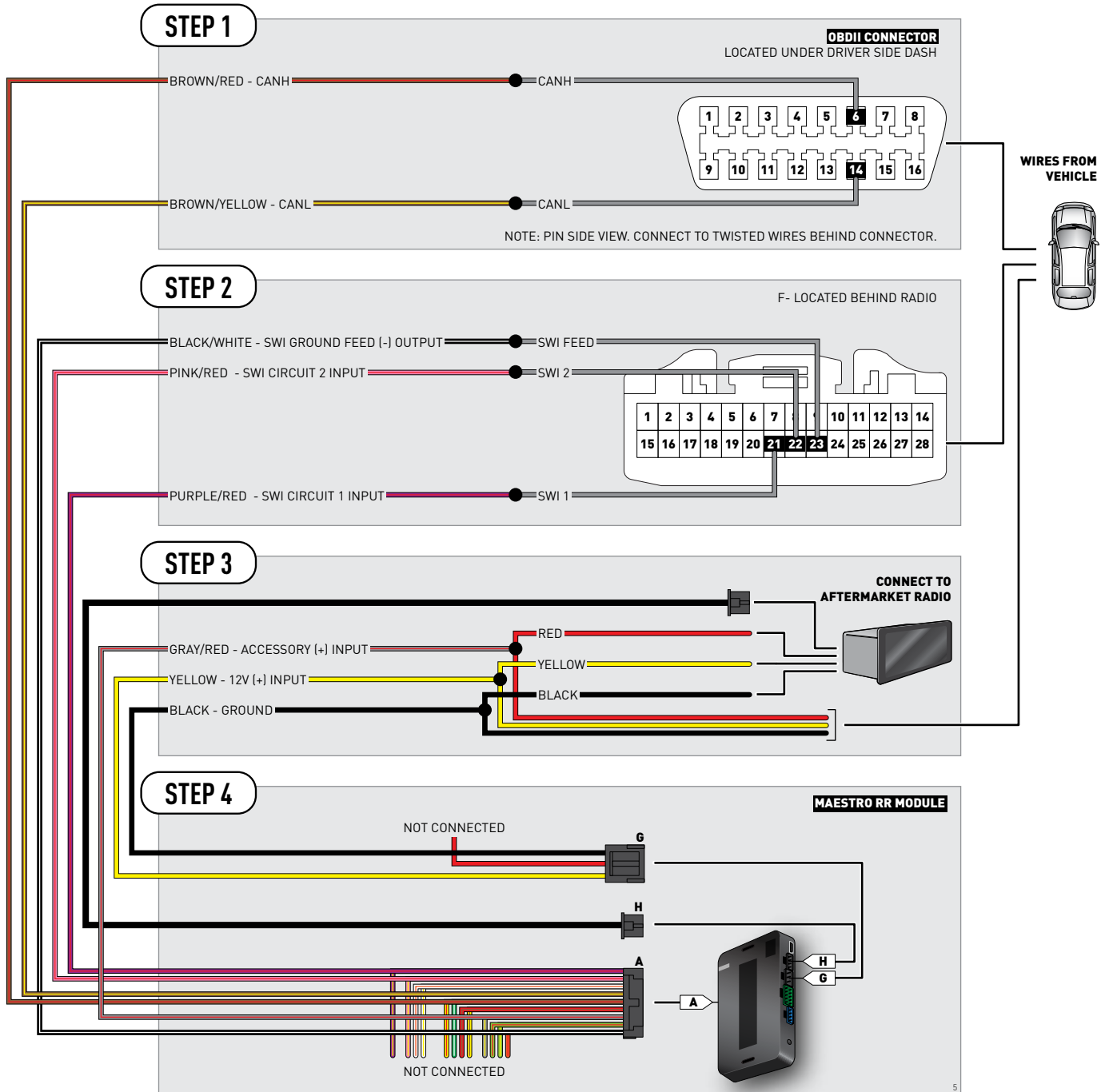
 support@idatalink.com

 maestro.idatalink.com/support
www.12voltdata.com/forum

TABLE OF CONTENTS

Wiring Diagram	3
Vehicle Wire Reference Chart	4

WIRING DIAGRAM



VEHICLE WIRE REFERENCE CHART

Wire Description	Connector Name	Connector Color	Connector Type	Position	Wire Color	Polarity	Wire Location
CanH	A	~	16 pin	6	Red	[DATA]	OBDII connector, under driver side dash
CanL	A	~	16 pin	14	Blue	[DATA]	OBDII connector, under driver side dash
SWI 1	F	~	28 pin	21	Purple/White	[DATA]	Behind radio
SWI 2	F	~	28 pin	22	Blue/White	[DATA]	Behind radio
SWI Feed	F	~	28 pin	23	Orange/White	(-)	Behind radio



INSTALL GUIDE SUBARU LEGACY WITH NAV 2010-2011

RETAINS STEERING WHEEL CONTROLS AND ADDS GAUGES



PRODUCTS REQUIRED

iDatalink Maestro RR Radio Replacement Interface
iDatalink Compatible Radio

OPTIONAL ACCESSORIES

None

PROGRAMMED FIRMWARE

ADS-RR(SI)-SUB01-DS

NOTICE: Automotive Data Solutions Inc. (ADS) recommends having this installation performed by a certified technician. Logos and trademarks used here in are the properties of their respective owners.

WELCOME

Congratulations on the purchase of your iDatalink Maestro RR Radio replacement solution. You are now a few simple steps away from enjoying your new car radio with enhanced features.

Before starting your installation, please ensure that your iDatalink Maestro module is programmed with the correct firmware for your vehicle and that you carefully review the install guide.

Please note that Maestro RR will only retain functionalities that were originally available in the vehicle.

NEED HELP?

 **1 866 427-2999**

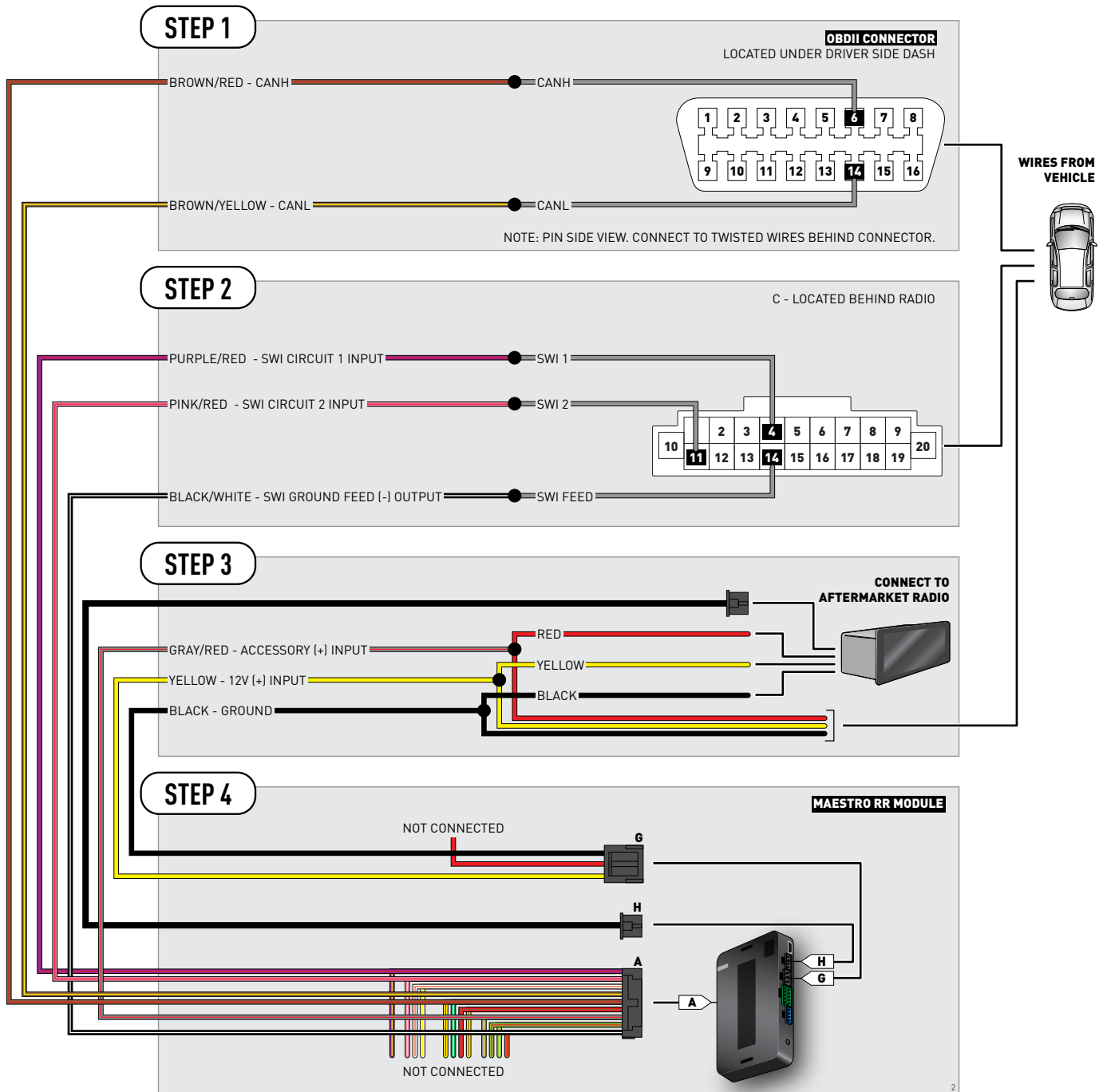
 support@idatalink.com

 maestro.idatalink.com/support
www.12voltdata.com/forum

TABLE OF CONTENTS

Wiring Diagram	3
Vehicle Wire Reference Chart	4

WIRING DIAGRAM



VEHICLE WIRE REFERENCE CHART

Wire Description	Connector Name	Connector Color	Connector Type	Position	Wire Color	Polarity	Wire Location
CanH	A	~	16 pin	6	Red	[DATA]	OBDII connector, under driver side dash
CanL	A	~	16 pin	14	Blue	[DATA]	OBDII connector, under driver side dash
SWI 1	C	~	20 pin	4	Purple/White	[DATA]	Behind radio
SWI 2	C	~	20 pin	11	Blue/White	[DATA]	Behind radio
SWI Feed	C	~	20 pin	14	Orange/White	(-)	Behind radio



INSTALL GUIDE SUBARU LEGACY WITH NAV 2012-2014

RETAINS STEERING WHEEL CONTROLS AND ADDS GAUGES



PRODUCTS REQUIRED

iDatalink Maestro RR Radio Replacement Interface
iDatalink Compatible Radio

OPTIONAL ACCESSORIES

None

PROGRAMMED FIRMWARE

ADS-RR(SI)-SUB01-DS

NOTICE: Automotive Data Solutions Inc. (ADS) recommends having this installation performed by a certified technician. Logos and trademarks used here in are the properties of their respective owners.

WELCOME

Congratulations on the purchase of your iDatalink Maestro RR Radio replacement solution. You are now a few simple steps away from enjoying your new car radio with enhanced features.

Before starting your installation, please ensure that your iDatalink Maestro module is programmed with the correct firmware for your vehicle and that you carefully review the install guide.

Please note that Maestro RR will only retain functionalities that were originally available in the vehicle.

NEED HELP?

 **1 866 427-2999**

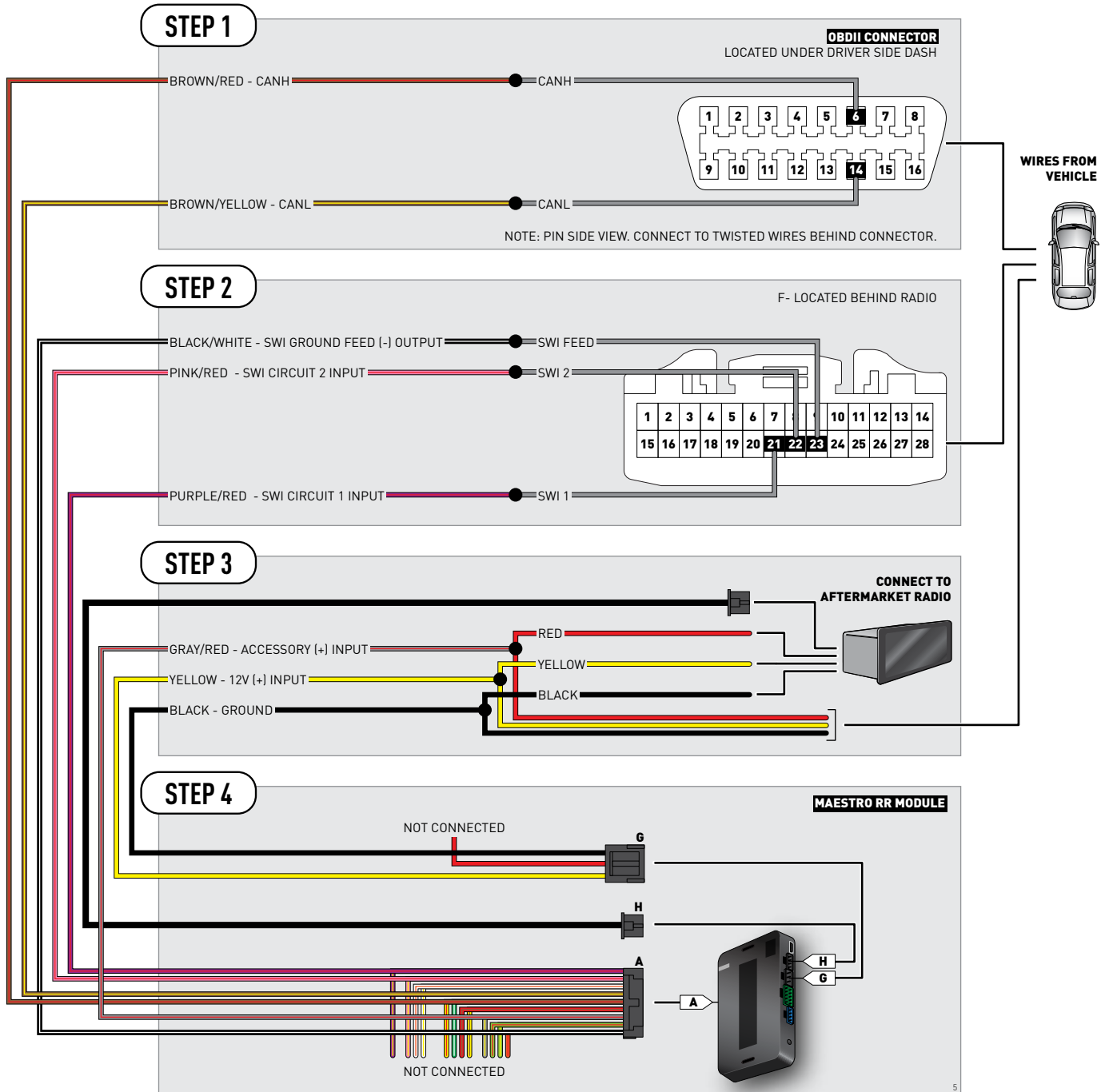
 support@idatalink.com

 maestro.idatalink.com/support
www.12voltdata.com/forum

TABLE OF CONTENTS

Wiring Diagram	3
Vehicle Wire Reference Chart	4

WIRING DIAGRAM



VEHICLE WIRE REFERENCE CHART

Wire Description	Connector Name	Connector Color	Connector Type	Position	Wire Color	Polarity	Wire Location
CanH	A	~	16 pin	6	Red	[DATA]	OBDII connector, under driver side dash
CanL	A	~	16 pin	14	Blue	[DATA]	OBDII connector, under driver side dash
SWI 1	F	~	28 pin	21	Purple/White	[DATA]	Behind radio
SWI 2	F	~	28 pin	22	Blue/White	[DATA]	Behind radio
SWI Feed	F	~	28 pin	23	Orange/White	(-)	Behind radio



INSTALL GUIDE SUBARU OUTBACK 2007-2009

RETAINS STEERING WHEEL CONTROLS AND ADDS GAUGES



PRODUCTS REQUIRED

iDatalink Maestro RR Radio Replacement Interface
iDatalink Compatible Radio

OPTIONAL ACCESSORIES

None

PROGRAMMED FIRMWARE

ADS-RR(SI)-SUB01-DS

NOTICE: Automotive Data Solutions Inc. (ADS) recommends having this installation performed by a certified technician. Logos and trademarks used here in are the properties of their respective owners.

WELCOME

Congratulations on the purchase of your iDatalink Maestro RR Radio replacement solution. You are now a few simple steps away from enjoying your new car radio with enhanced features.

Before starting your installation, please ensure that your iDatalink Maestro module is programmed with the correct firmware for your vehicle and that you carefully review the install guide.

Please note that Maestro RR will only retain functionalities that were originally available in the vehicle.

NEED HELP?

 **1 866 427-2999**

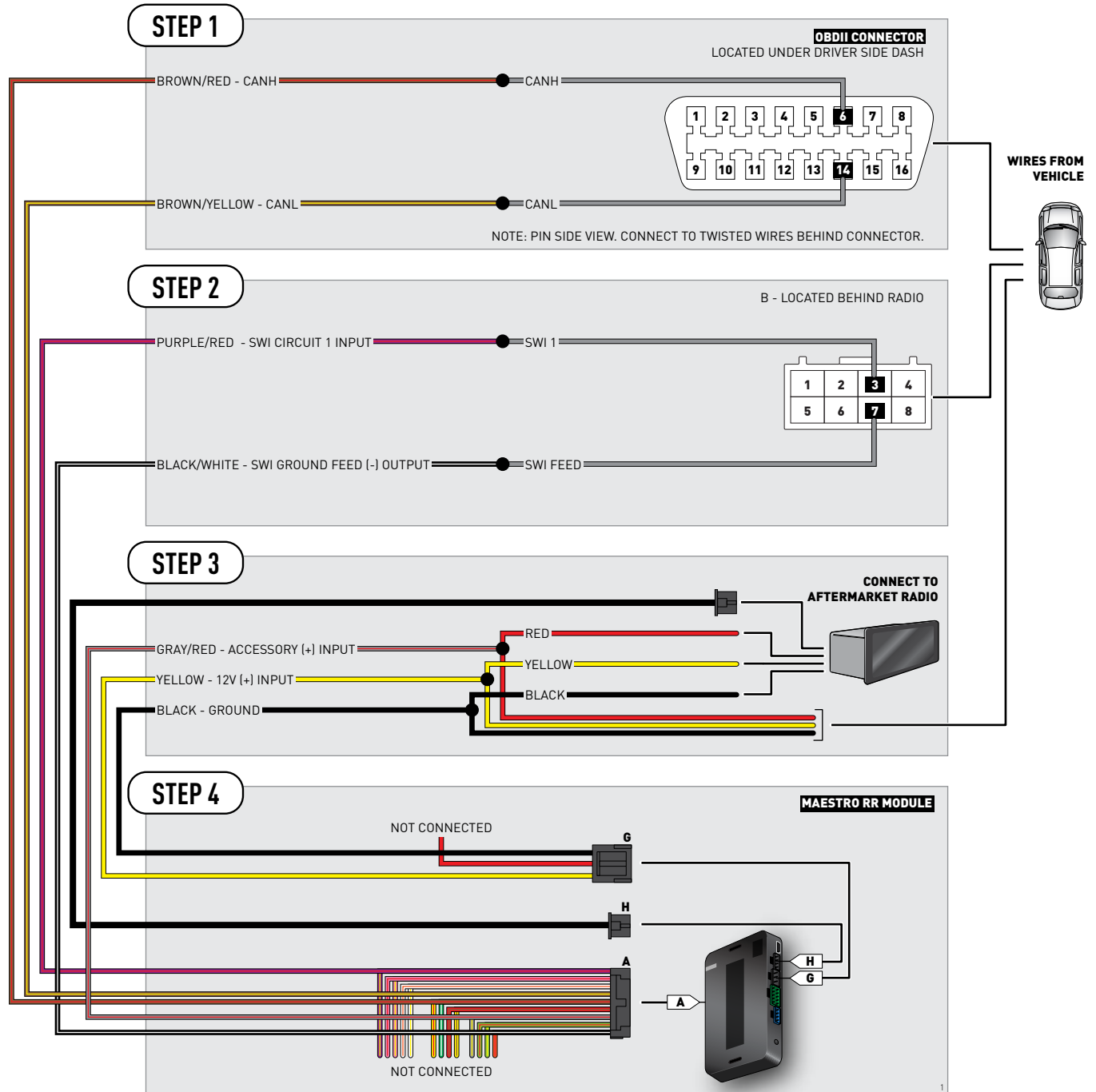
 support@idatalink.com

 maestro.idatalink.com/support
www.12voltdata.com/forum

TABLE OF CONTENTS

Wiring Diagram	3
Vehicle Wire Reference Chart	4

WIRING DIAGRAM



VEHICLE WIRE REFERENCE CHART

Wire Description	Connector Name	Connector Color	Connector Type	Position	Wire Color	Polarity	Wire Location
CanH	A	~	16 pin	6	Red	(DATA)	OBDII connector, under driver side dash
CanL	A	~	16 pin	14	Blue	(DATA)	OBDII connector, under driver side dash
SWI 1	B	~	08 pin	3	Violet/White	(DATA)	Behind radio
SWI Feed	B	~	08 pin	7	Orange/White	(-)	Behind radio



INSTALL GUIDE SUBARU OUTBACK 2015-2016

RETAINS STEERING WHEEL CONTROLS AND ADDS GAUGES



PRODUCTS REQUIRED

iDatalink Maestro RR Radio Replacement Interface
iDatalink Compatible Radio

OPTIONAL ACCESSORIES

None

PROGRAMMED FIRMWARE

ADS-RR(SI)-SUB01-DS

NOTICE: Automotive Data Solutions Inc. (ADS) recommends having this installation performed by a certified technician. Logos and trademarks used here in are the properties of their respective owners.

WELCOME

Congratulations on the purchase of your iDatalink Maestro RR Radio replacement solution. You are now a few simple steps away from enjoying your new car radio with enhanced features.

Before starting your installation, please ensure that your iDatalink Maestro module is programmed with the correct firmware for your vehicle and that you carefully review the install guide.

Please note that Maestro RR will only retain functionalities that were originally available in the vehicle.

NEED HELP?

 **1 866 427-2999**

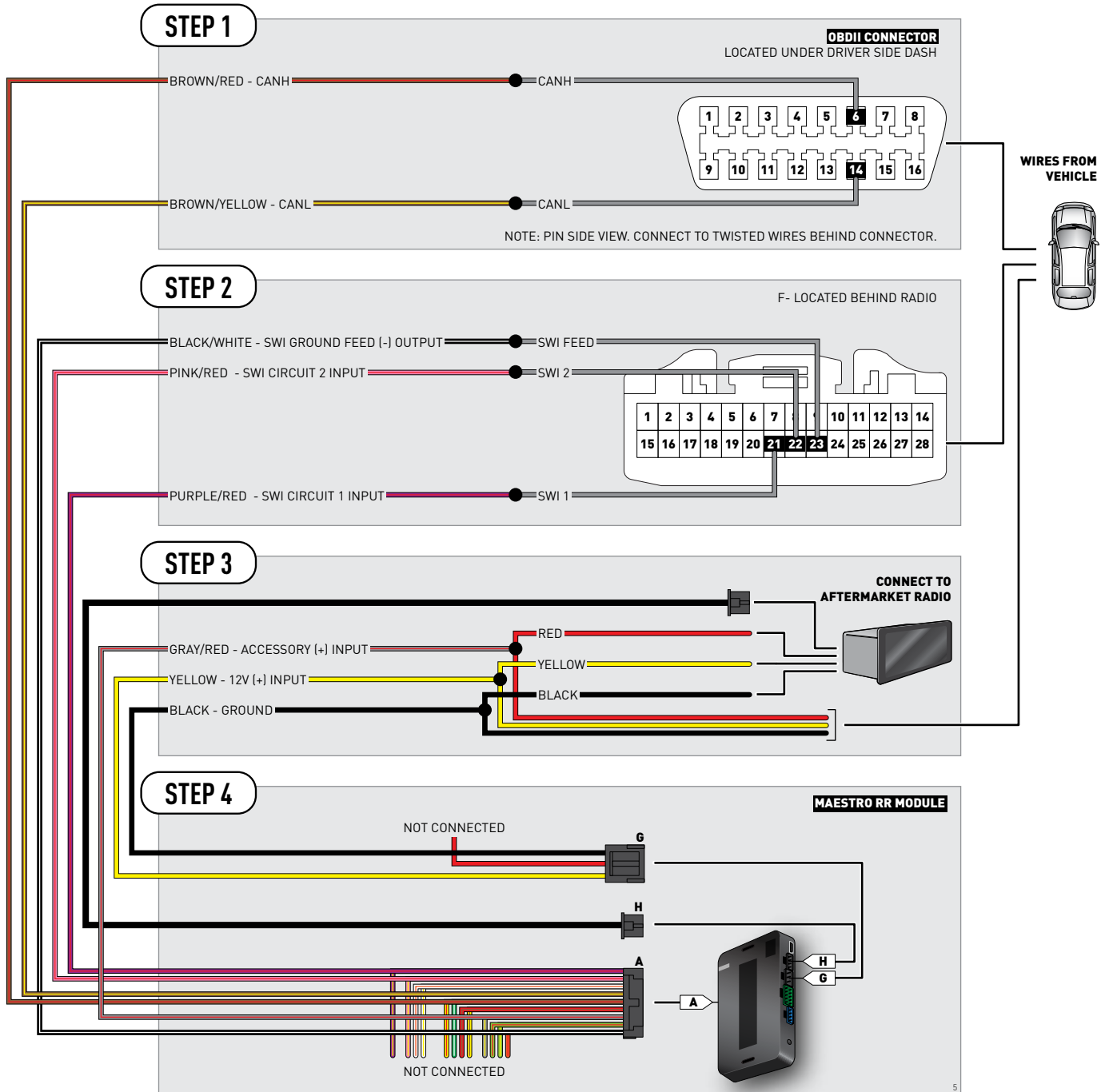
 support@idatalink.com

 maestro.idatalink.com/support
www.12voltdata.com/forum

TABLE OF CONTENTS

Wiring Diagram	3
Vehicle Wire Reference Chart	4

WIRING DIAGRAM



VEHICLE WIRE REFERENCE CHART

Wire Description	Connector Name	Connector Color	Connector Type	Position	Wire Color	Polarity	Wire Location
CanH	A	~	16 pin	6	Red	[DATA]	OBDII connector, under driver side dash
CanL	A	~	16 pin	14	Blue	[DATA]	OBDII connector, under driver side dash
SWI 1	F	~	28 pin	21	Pink	[DATA]	Behind radio
SWI 2	F	~	28 pin	22	Brown	[DATA]	Behind radio
SWI Feed	F	~	28 pin	23	Purple	(-)	Behind radio



INSTALL GUIDE SUBARU OUTBACK BASE 2010-2014

RETAINS STEERING WHEEL CONTROLS AND ADDS GAUGES



PRODUCTS REQUIRED

iDatalink Maestro RR Radio Replacement Interface
iDatalink Compatible Radio

OPTIONAL ACCESSORIES

None

PROGRAMMED FIRMWARE

ADS-RR(SI)-SUB01-DS

NOTICE: Automotive Data Solutions Inc. (ADS) recommends having this installation performed by a certified technician. Logos and trademarks used here in are the properties of their respective owners.

WELCOME

Congratulations on the purchase of your iDatalink Maestro RR Radio replacement solution. You are now a few simple steps away from enjoying your new car radio with enhanced features.

Before starting your installation, please ensure that your iDatalink Maestro module is programmed with the correct firmware for your vehicle and that you carefully review the install guide.

Please note that Maestro RR will only retain functionalities that were originally available in the vehicle.

NEED HELP?

 **1 866 427-2999**

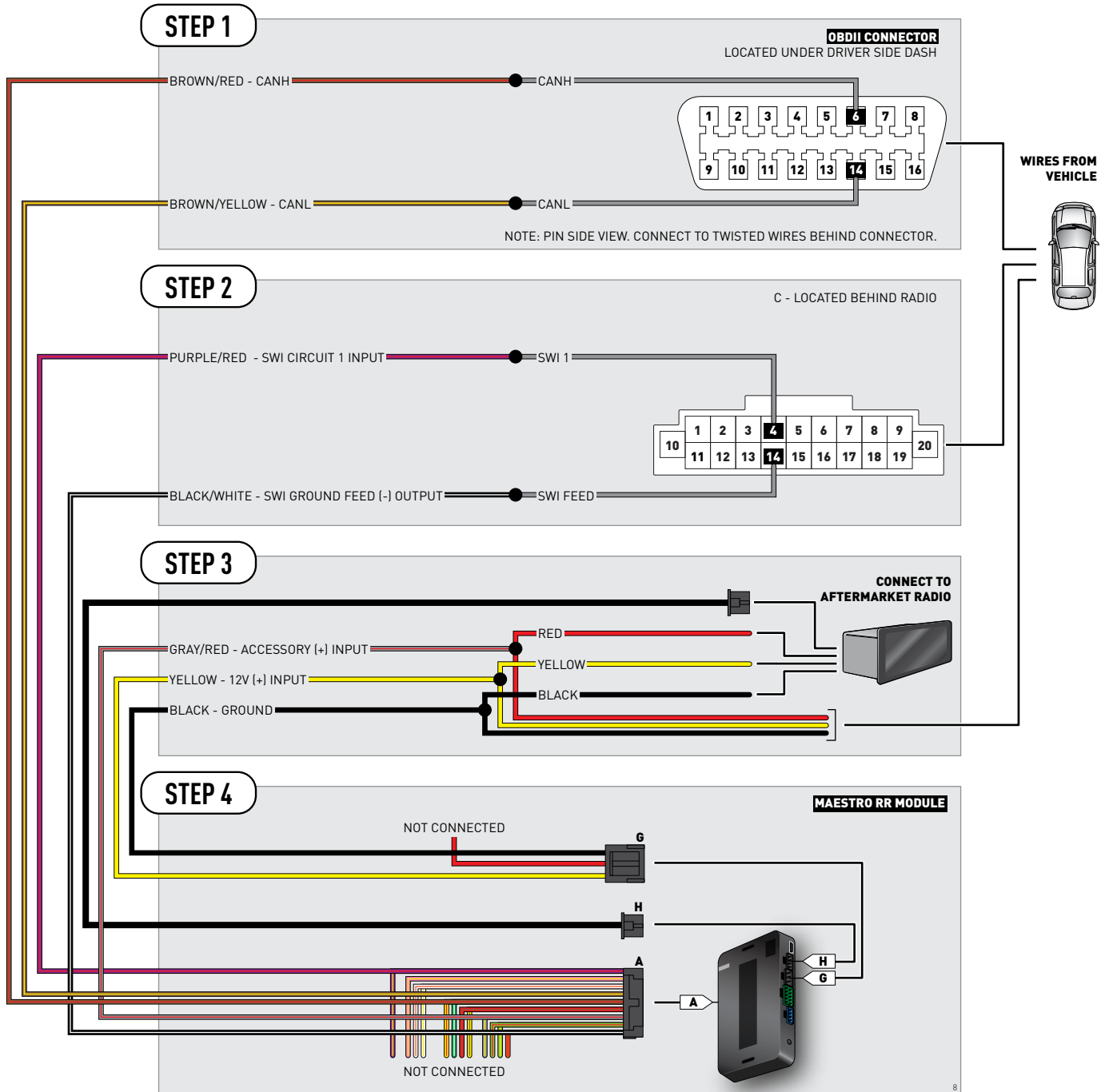
 support@idatalink.com

 maestro.idatalink.com/support
www.12voltdata.com/forum

TABLE OF CONTENTS

Wiring Diagram	3
Vehicle Wire Reference Chart	4

WIRING DIAGRAM



VEHICLE WIRE REFERENCE CHART

Wire Description	Connector Name	Connector Color	Connector Type	Position	Wire Color	Polarity	Wire Location
CanH	A	~	16 pin	6	Red	(DATA)	OBDII connector, under driver side dash
CanL	A	~	16 pin	14	Blue	(DATA)	OBDII connector, under driver side dash
SWI 1	C	~	20 pin	4	Purple/White	(DATA)	Behind radio
SWI Feed	C	~	20 pin	14	Orange/White	(-)	Behind radio



INSTALL GUIDE SUBARU OUTBACK WITH BLUETOOTH 2012-2014

RETAINS STEERING WHEEL CONTROLS AND ADDS GAUGES



PRODUCTS REQUIRED

iDatalink Maestro RR Radio Replacement Interface
iDatalink Compatible Radio

OPTIONAL ACCESSORIES

None

PROGRAMMED FIRMWARE

ADS-RR(SI)-SUB01-DS

NOTICE: Automotive Data Solutions Inc. (ADS) recommends having this installation performed by a certified technician. Logos and trademarks used here in are the properties of their respective owners.

WELCOME

Congratulations on the purchase of your iDatalink Maestro RR Radio replacement solution. You are now a few simple steps away from enjoying your new car radio with enhanced features.

Before starting your installation, please ensure that your iDatalink Maestro module is programmed with the correct firmware for your vehicle and that you carefully review the install guide.

Please note that Maestro RR will only retain functionalities that were originally available in the vehicle.

NEED HELP?

 **1 866 427-2999**

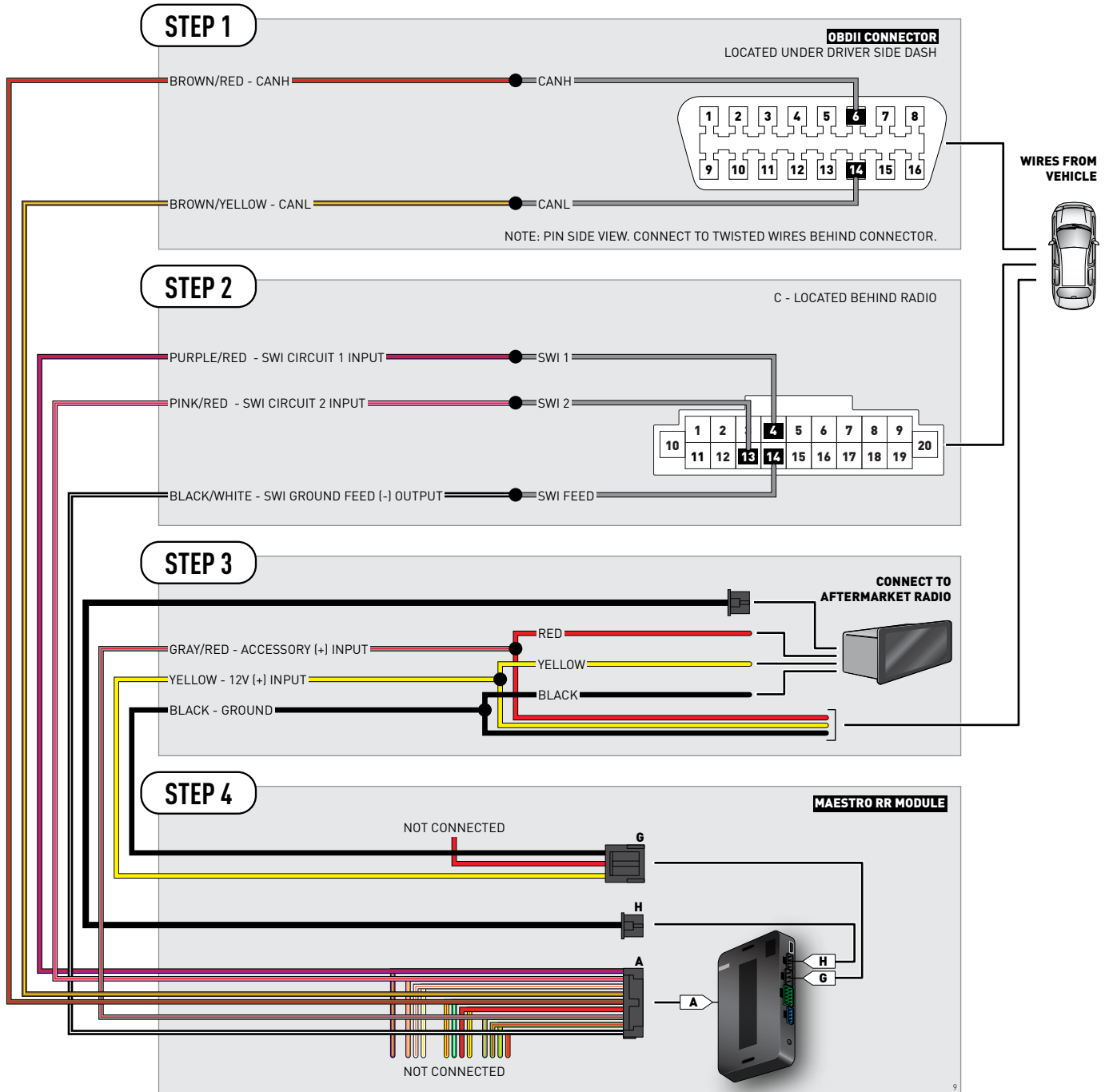
 support@idatalink.com

 maestro.idatalink.com/support
www.12voltdata.com/forum

TABLE OF CONTENTS

Wiring Diagram	3
Vehicle Wire Reference Chart	4

WIRING DIAGRAM



VEHICLE WIRE REFERENCE CHART

Wire Description	Connector Name	Connector Color	Connector Type	Position	Wire Color	Polarity	Wire Location
CanH	A	~	16 pin	6	Red	[DATA]	OBDII connector, under driver side dash
CanL	A	~	16 pin	14	Blue	[DATA]	OBDII connector, under driver side dash
SWI 1	C	~	20 pin	4	Purple/White	[DATA]	Behind radio
SWI 2	C	~	20 pin	13	Blue/White	[DATA]	Behind radio
SWI Feed	C	~	20 pin	14	Orange/White	(-)	Behind radio



INSTALL GUIDE SUBARU OUTBACK WITH HARMAN KARDON 2010-2011



PRODUCTS REQUIRED

iDatalink Maestro RR Radio Replacement Interface
iDatalink Compatible Radio

OPTIONAL ACCESSORIES

None

PROGRAMMED FIRMWARE

ADS-RR(SI)-SUB01-DS

NOTICE: Automotive Data Solutions Inc. (ADS) recommends having this installation performed by a certified technician. Logos and trademarks used here in are the properties of their respective owners.

WELCOME

Congratulations on the purchase of your iDatalink Maestro RR Radio replacement solution. You are now a few simple steps away from enjoying your new car radio with enhanced features.

Before starting your installation, please ensure that your iDatalink Maestro module is programmed with the correct firmware for your vehicle and that you carefully review the install guide.

Please note that Maestro RR will only retain functionalities that were originally available in the vehicle.

NEED HELP?

 **1 866 427-2999**

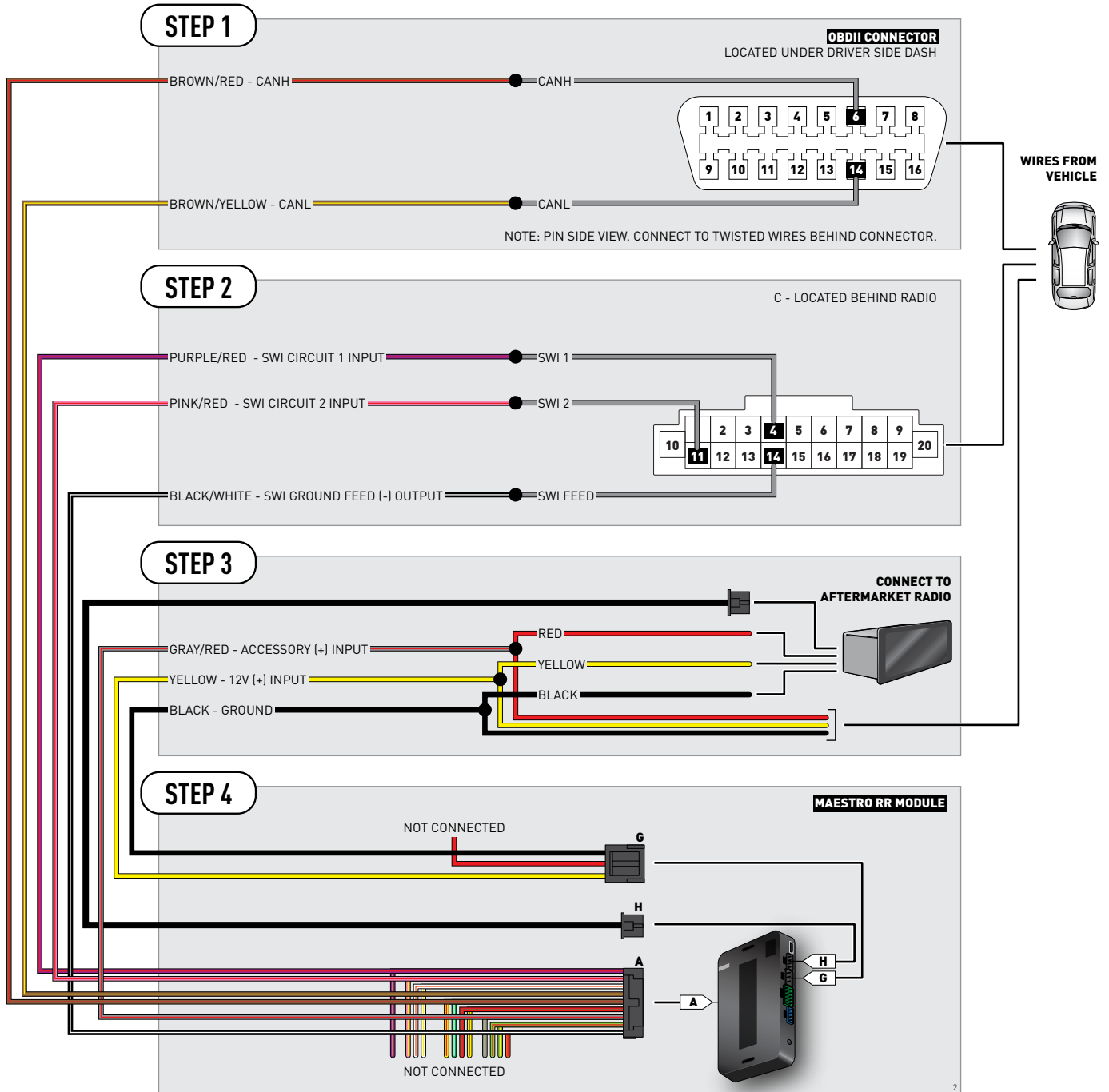
 support@idatalink.com

 maestro.idatalink.com/support
www.12voltdata.com/forum

TABLE OF CONTENTS

Wiring Diagram	3
Vehicle Wire Reference Chart	4

WIRING DIAGRAM



VEHICLE WIRE REFERENCE CHART

Wire Description	Connector Name	Connector Color	Connector Type	Position	Wire Color	Polarity	Wire Location
CanH	A	~	16 pin	6	Red	[DATA]	OBDII connector, under driver side dash
CanL	A	~	16 pin	14	Blue	[DATA]	OBDII connector, under driver side dash
SWI 1	C	~	20 pin	4	Purple/White	[DATA]	Behind radio
SWI 2	C	~	20 pin	11	Blue/White	[DATA]	Behind radio
SWI Feed	C	~	20 pin	14	Orange/White	(-)	Behind radio



INSTALL GUIDE SUBARU OUTBACK WITH HARMAN KARDON 2012-2014



PRODUCTS REQUIRED

iDatalink Maestro RR Radio Replacement Interface
iDatalink Compatible Radio

OPTIONAL ACCESSORIES

None

PROGRAMMED FIRMWARE

ADS-RR(SI)-SUB01-DS

NOTICE: Automotive Data Solutions Inc. (ADS) recommends having this installation performed by a certified technician. Logos and trademarks used here in are the properties of their respective owners.

WELCOME

Congratulations on the purchase of your iDatalink Maestro RR Radio replacement solution. You are now a few simple steps away from enjoying your new car radio with enhanced features.

Before starting your installation, please ensure that your iDatalink Maestro module is programmed with the correct firmware for your vehicle and that you carefully review the install guide.

Please note that Maestro RR will only retain functionalities that were originally available in the vehicle.

NEED HELP?

 **1 866 427-2999**

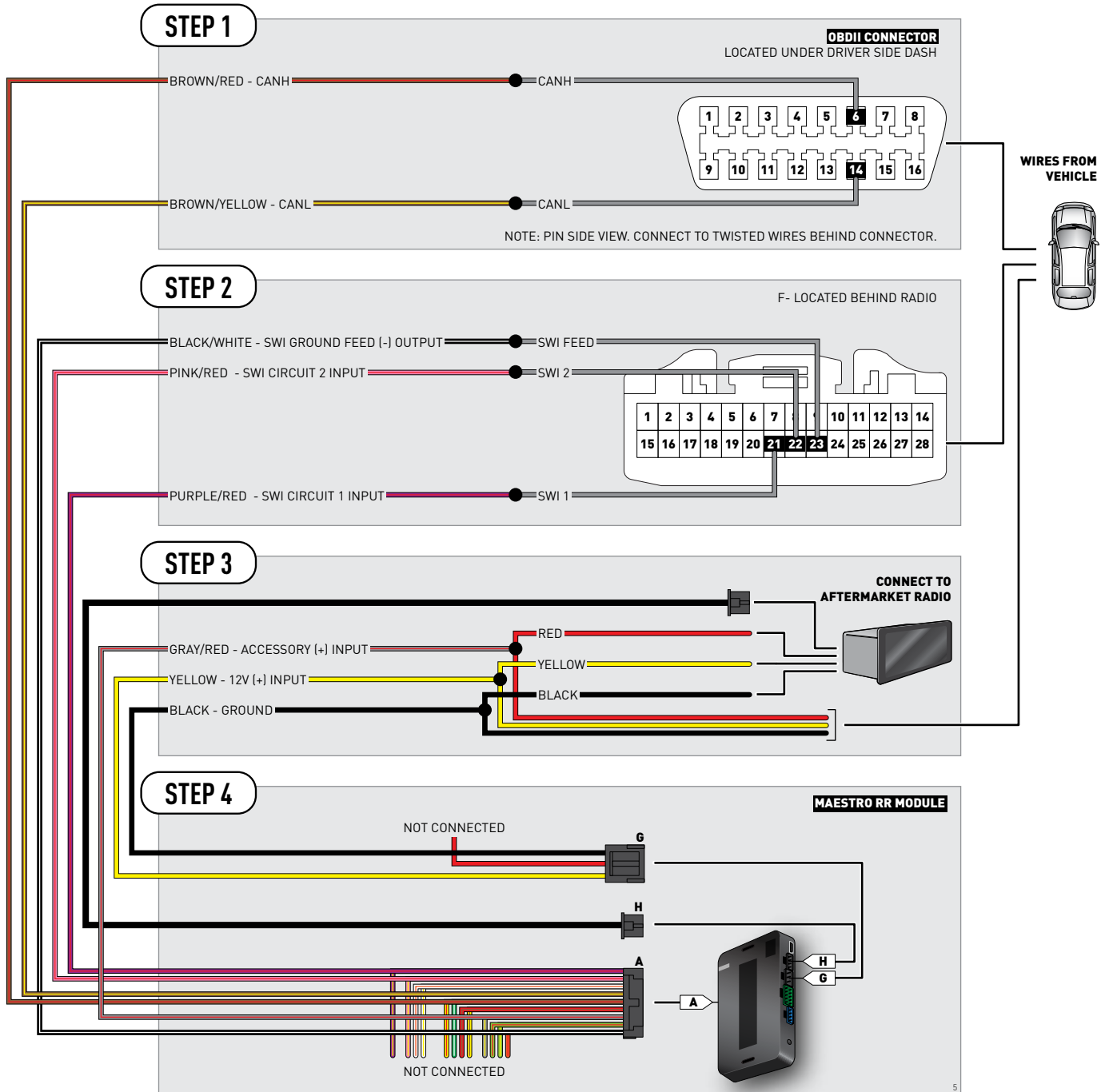
 support@idatalink.com

 maestro.idatalink.com/support
www.12voltdata.com/forum

TABLE OF CONTENTS

Wiring Diagram	3
Vehicle Wire Reference Chart	4

WIRING DIAGRAM



VEHICLE WIRE REFERENCE CHART

Wire Description	Connector Name	Connector Color	Connector Type	Position	Wire Color	Polarity	Wire Location
CanH	A	~	16 pin	6	Red	[DATA]	OBDII connector, under driver side dash
CanL	A	~	16 pin	14	Blue	[DATA]	OBDII connector, under driver side dash
SWI 1	F	~	28 pin	21	Purple/White	[DATA]	Behind radio
SWI 2	F	~	28 pin	22	Blue/White	[DATA]	Behind radio
SWI Feed	F	~	28 pin	23	Orange/White	(-)	Behind radio



INSTALL GUIDE SUBARU OUTBACK WITH NAV 2010-2011

RETAINS STEERING WHEEL CONTROLS AND ADDS GAUGES



PRODUCTS REQUIRED

iDatalink Maestro RR Radio Replacement Interface
iDatalink Compatible Radio

OPTIONAL ACCESSORIES

None

PROGRAMMED FIRMWARE

ADS-RR(SI)-SUB01-DS

NOTICE: Automotive Data Solutions Inc. (ADS) recommends having this installation performed by a certified technician. Logos and trademarks used here in are the properties of their respective owners.

WELCOME

Congratulations on the purchase of your iDatalink Maestro RR Radio replacement solution. You are now a few simple steps away from enjoying your new car radio with enhanced features.

Before starting your installation, please ensure that your iDatalink Maestro module is programmed with the correct firmware for your vehicle and that you carefully review the install guide.

Please note that Maestro RR will only retain functionalities that were originally available in the vehicle.

NEED HELP?

 **1 866 427-2999**

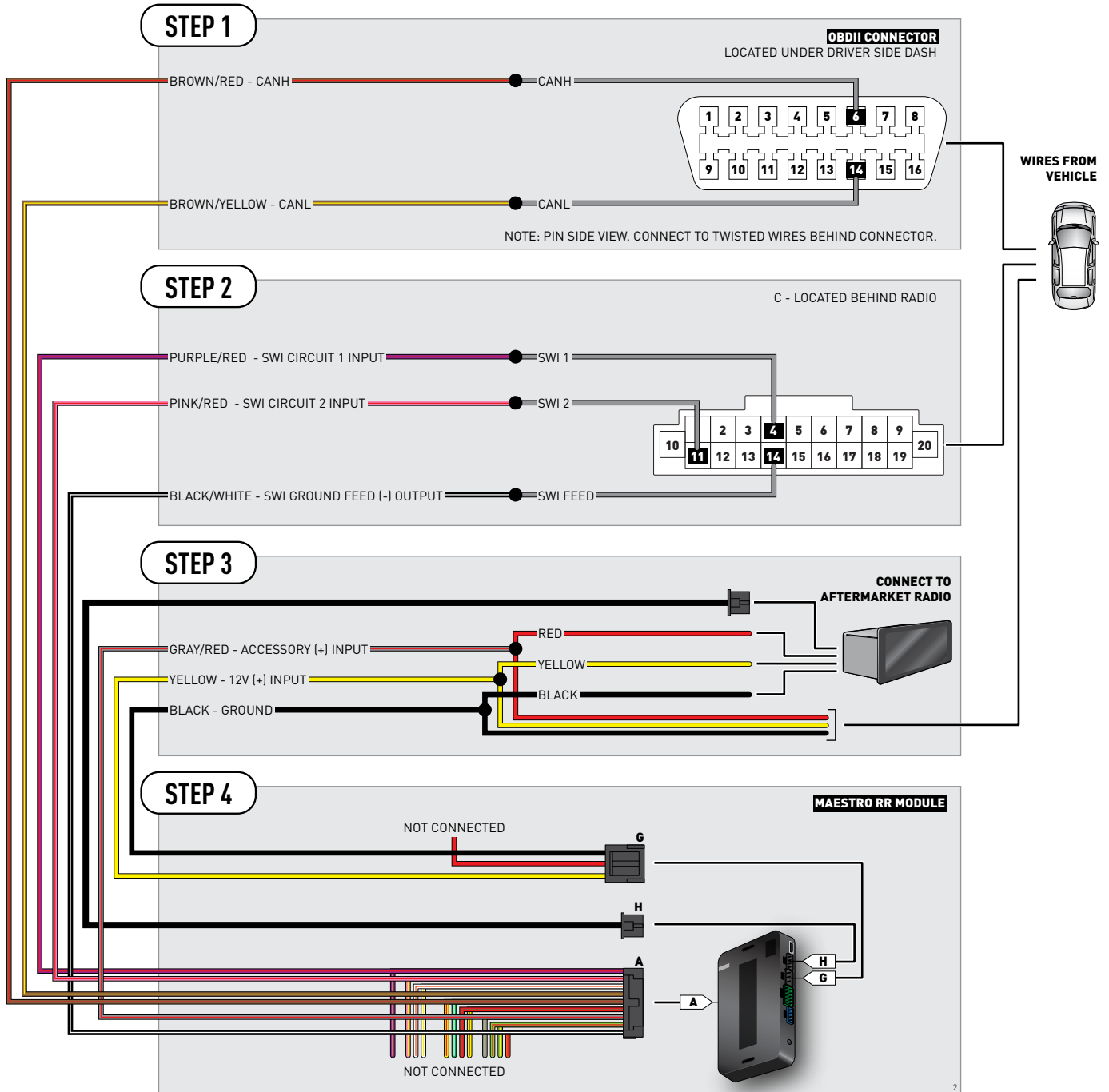
 support@idatalink.com

 maestro.idatalink.com/support
www.12voltdata.com/forum

TABLE OF CONTENTS

Wiring Diagram	3
Vehicle Wire Reference Chart	4

WIRING DIAGRAM



VEHICLE WIRE REFERENCE CHART

Wire Description	Connector Name	Connector Color	Connector Type	Position	Wire Color	Polarity	Wire Location
CanH	A	~	16 pin	6	Red	[DATA]	OBDII connector, under driver side dash
CanL	A	~	16 pin	14	Blue	[DATA]	OBDII connector, under driver side dash
SWI 1	C	~	20 pin	4	Purple/White	[DATA]	Behind radio
SWI 2	C	~	20 pin	11	Blue/White	[DATA]	Behind radio
SWI Feed	C	~	20 pin	14	Orange/White	(-)	Behind radio



INSTALL GUIDE SUBARU OUTBACK WITH NAV 2012-2014

RETAINS STEERING WHEEL CONTROLS AND ADDS GAUGES



PRODUCTS REQUIRED

iDatalink Maestro RR Radio Replacement Interface
iDatalink Compatible Radio

OPTIONAL ACCESSORIES

None

PROGRAMMED FIRMWARE

ADS-RR(SI)-SUB01-DS

NOTICE: Automotive Data Solutions Inc. (ADS) recommends having this installation performed by a certified technician. Logos and trademarks used here in are the properties of their respective owners.

WELCOME

Congratulations on the purchase of your iDatalink Maestro RR Radio replacement solution. You are now a few simple steps away from enjoying your new car radio with enhanced features.

Before starting your installation, please ensure that your iDatalink Maestro module is programmed with the correct firmware for your vehicle and that you carefully review the install guide.

Please note that Maestro RR will only retain functionalities that were originally available in the vehicle.

NEED HELP?

 **1 866 427-2999**

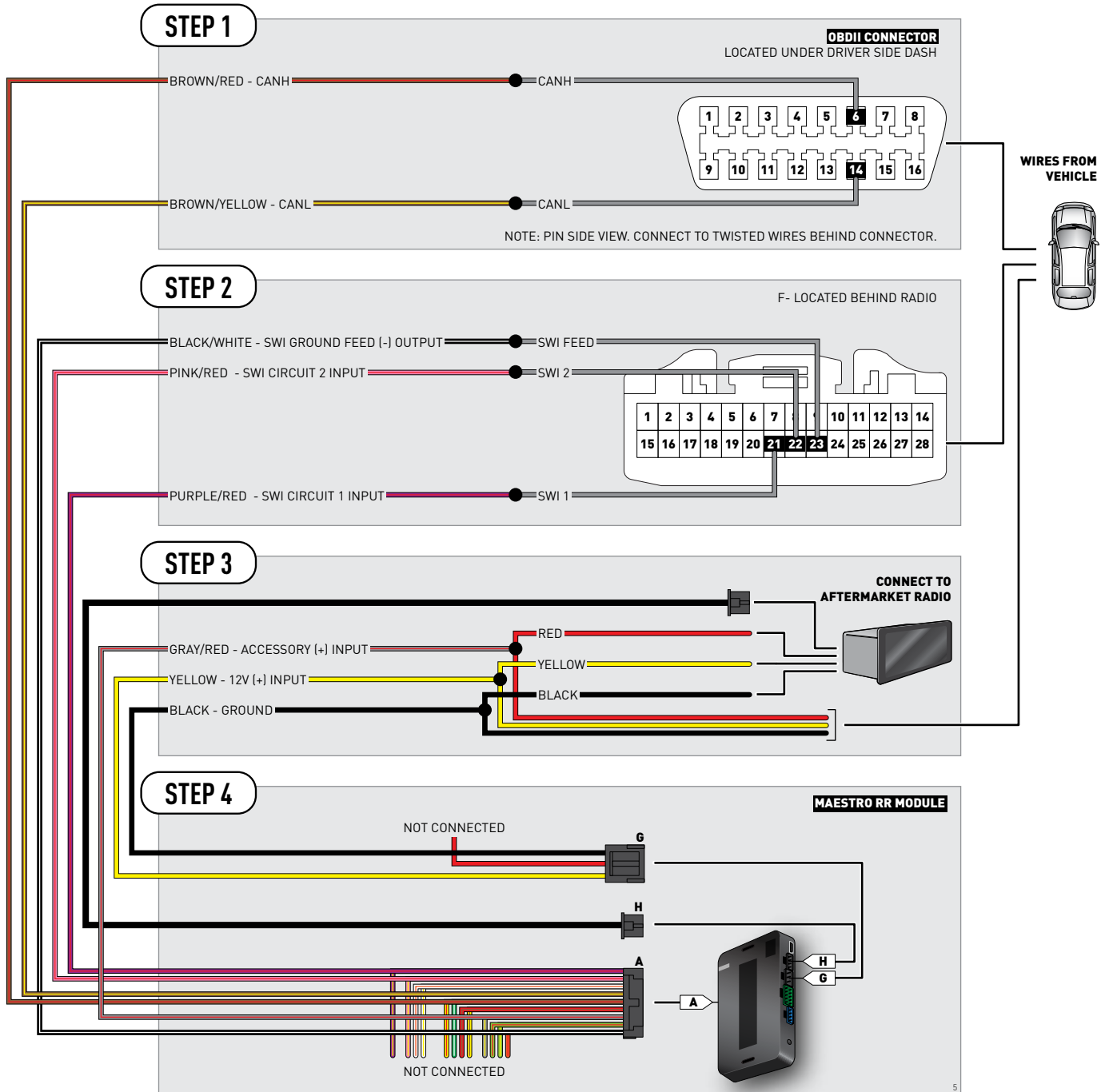
 support@idatalink.com

 maestro.idatalink.com/support
www.12voltdata.com/forum

TABLE OF CONTENTS

Wiring Diagram	3
Vehicle Wire Reference Chart	4

WIRING DIAGRAM



VEHICLE WIRE REFERENCE CHART

Wire Description	Connector Name	Connector Color	Connector Type	Position	Wire Color	Polarity	Wire Location
CanH	A	~	16 pin	6	Red	[DATA]	OBDII connector, under driver side dash
CanL	A	~	16 pin	14	Blue	[DATA]	OBDII connector, under driver side dash
SWI 1	F	~	28 pin	21	Purple/White	[DATA]	Behind radio
SWI 2	F	~	28 pin	22	Blue/White	[DATA]	Behind radio
SWI Feed	F	~	28 pin	23	Orange/White	(-)	Behind radio



INSTALL GUIDE SUBARU TRIBECA 2006-2014

RETAINS STEERING WHEEL CONTROLS AND ADDS GAUGES



PRODUCTS REQUIRED

iDatalink Maestro RR Radio Replacement Interface
iDatalink Compatible Radio

OPTIONAL ACCESSORIES

None

PROGRAMMED FIRMWARE

ADS-RR(SI)-SUB01-DS

NOTICE: Automotive Data Solutions Inc. (ADS) recommends having this installation performed by a certified technician. Logos and trademarks used here in are the properties of their respective owners.

WELCOME

Congratulations on the purchase of your iDatalink Maestro RR Radio replacement solution. You are now a few simple steps away from enjoying your new car radio with enhanced features.

Before starting your installation, please ensure that your iDatalink Maestro module is programmed with the correct firmware for your vehicle and that you carefully review the install guide.

Please note that Maestro RR will only retain functionalities that were originally available in the vehicle.

NEED HELP?

 **1 866 427-2999**

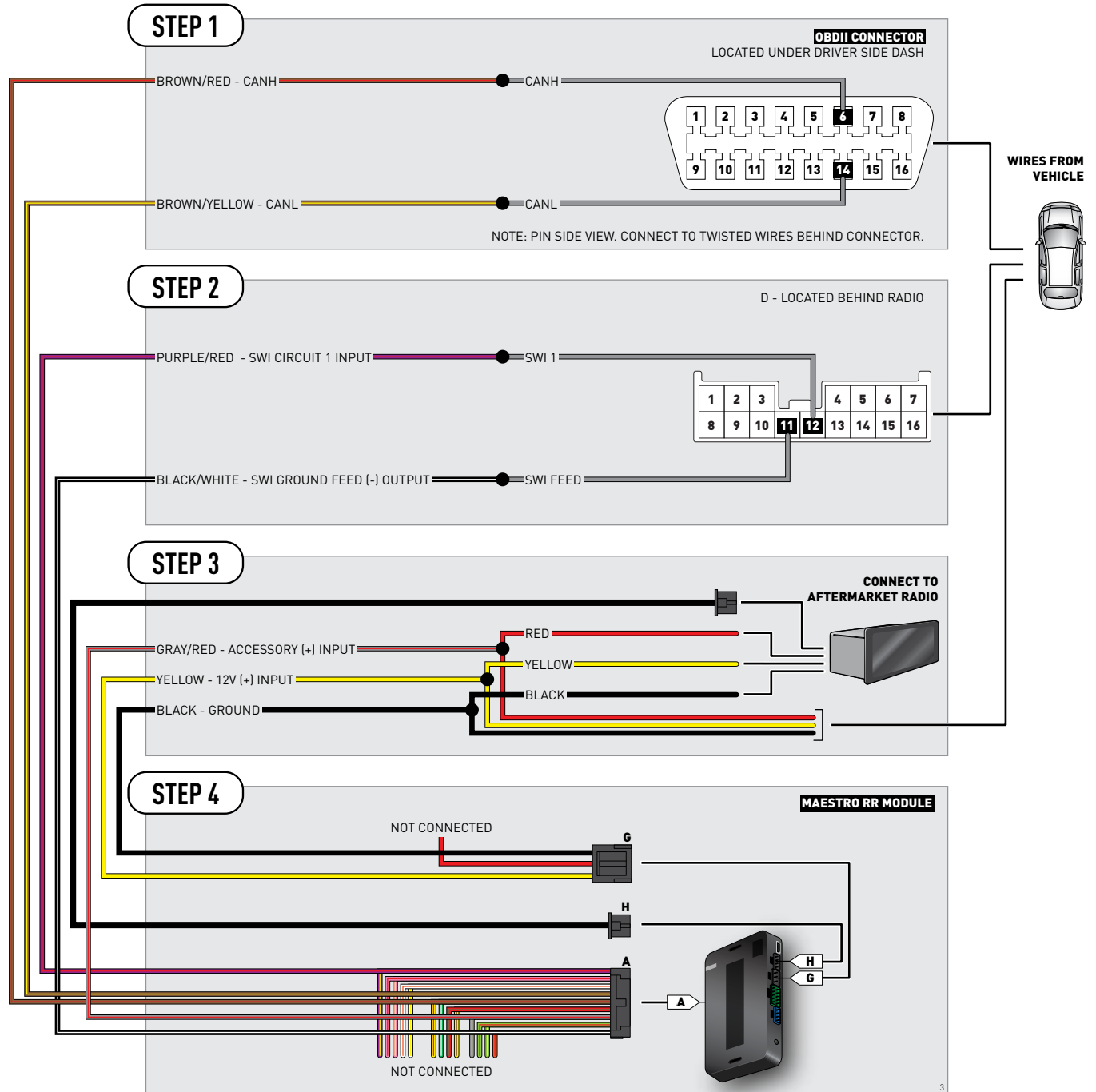
 support@idatalink.com

 maestro.idatalink.com/support
www.12voltdata.com/forum

TABLE OF CONTENTS

Wiring Diagram	3
Vehicle Wire Reference Chart	4

WIRING DIAGRAM



VEHICLE WIRE REFERENCE CHART

Wire Description	Connector Name	Connector Color	Connector Type	Position	Wire Color	Polarity	Wire Location
CanH	A	~	16 pin	6	Red	(DATA)	OBDII connector, under driver side dash
CanL	A	~	16 pin	14	Blue	(DATA)	OBDII connector, under driver side dash
SWI 1	D	~	16 pin	12	Orange/White	(DATA)	Behind radio
SWI Feed	D	~	16 pin	11	Violet/White	(-)	Behind radio



INSTALL GUIDE SUBARU WRX 2016

RETAINS STEERING WHEEL CONTROLS AND ADDS GAUGES



PRODUCTS REQUIRED

iDatalink Maestro RR Radio Replacement Interface
iDatalink Compatible Radio

OPTIONAL ACCESSORIES

None

PROGRAMMED FIRMWARE

ADS-RR(SI)-SUB01-DS

NOTICE: Automotive Data Solutions Inc. (ADS) recommends having this installation performed by a certified technician. Logos and trademarks used here in are the properties of their respective owners.

WELCOME

Congratulations on the purchase of your iDatalink Maestro RR Radio replacement solution. You are now a few simple steps away from enjoying your new car radio with enhanced features.

Before starting your installation, please ensure that your iDatalink Maestro module is programmed with the correct firmware for your vehicle and that you carefully review the install guide.

Please note that Maestro RR will only retain functionalities that were originally available in the vehicle.

NEED HELP?

 **1 866 427-2999**

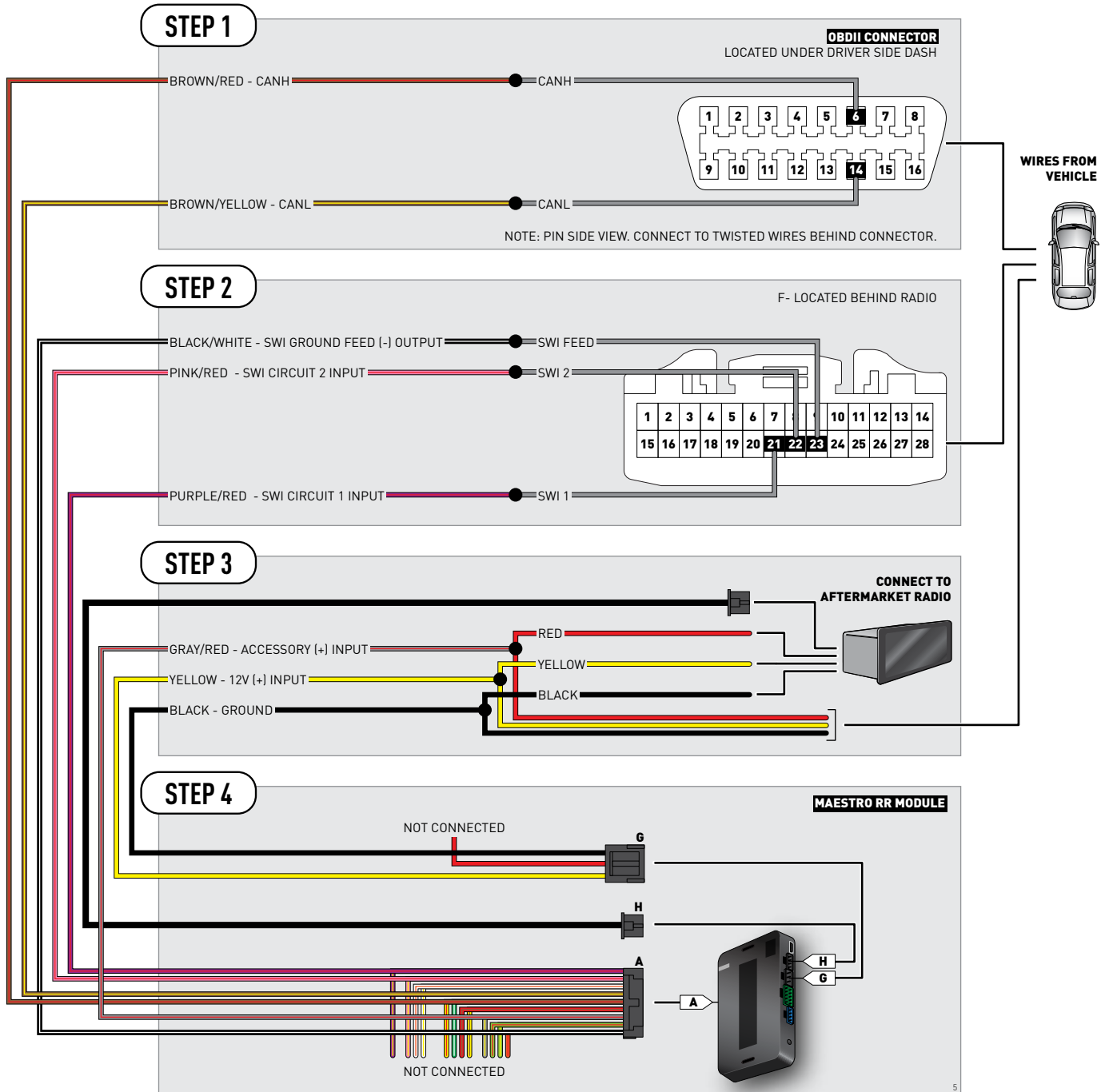
 support@idatalink.com

 maestro.idatalink.com/support
www.12voltdata.com/forum

TABLE OF CONTENTS

Wiring Diagram	3
Vehicle Wire Reference Chart	4

WIRING DIAGRAM



VEHICLE WIRE REFERENCE CHART

Wire Description	Connector Name	Connector Color	Connector Type	Position	Wire Color	Polarity	Wire Location
CanH	A	~	16 pin	6	Red	[DATA]	OBDII connector, under driver side dash
CanL	A	~	16 pin	14	Blue	[DATA]	OBDII connector, under driver side dash
SWI 1	F	~	28 pin	21	Brown/Black	[DATA]	Behind radio
SWI 2	F	~	28 pin	22	Blue/Yellow	[DATA]	Behind radio
SWI Feed	F	~	28 pin	23	Yellow	(-)	Behind radio



INSTALL GUIDE SUBARU WRX STI 2016

RETAINS STEERING WHEEL CONTROLS AND ADDS GAUGES



PRODUCTS REQUIRED

iDatalink Maestro RR Radio Replacement Interface
iDatalink Compatible Radio

OPTIONAL ACCESSORIES

None

PROGRAMMED FIRMWARE

ADS-RR(SI)-SUB01-DS

NOTICE: Automotive Data Solutions Inc. (ADS) recommends having this installation performed by a certified technician. Logos and trademarks used here in are the properties of their respective owners.

WELCOME

Congratulations on the purchase of your iDatalink Maestro RR Radio replacement solution. You are now a few simple steps away from enjoying your new car radio with enhanced features.

Before starting your installation, please ensure that your iDatalink Maestro module is programmed with the correct firmware for your vehicle and that you carefully review the install guide.

Please note that Maestro RR will only retain functionalities that were originally available in the vehicle.

NEED HELP?

 **1 866 427-2999**

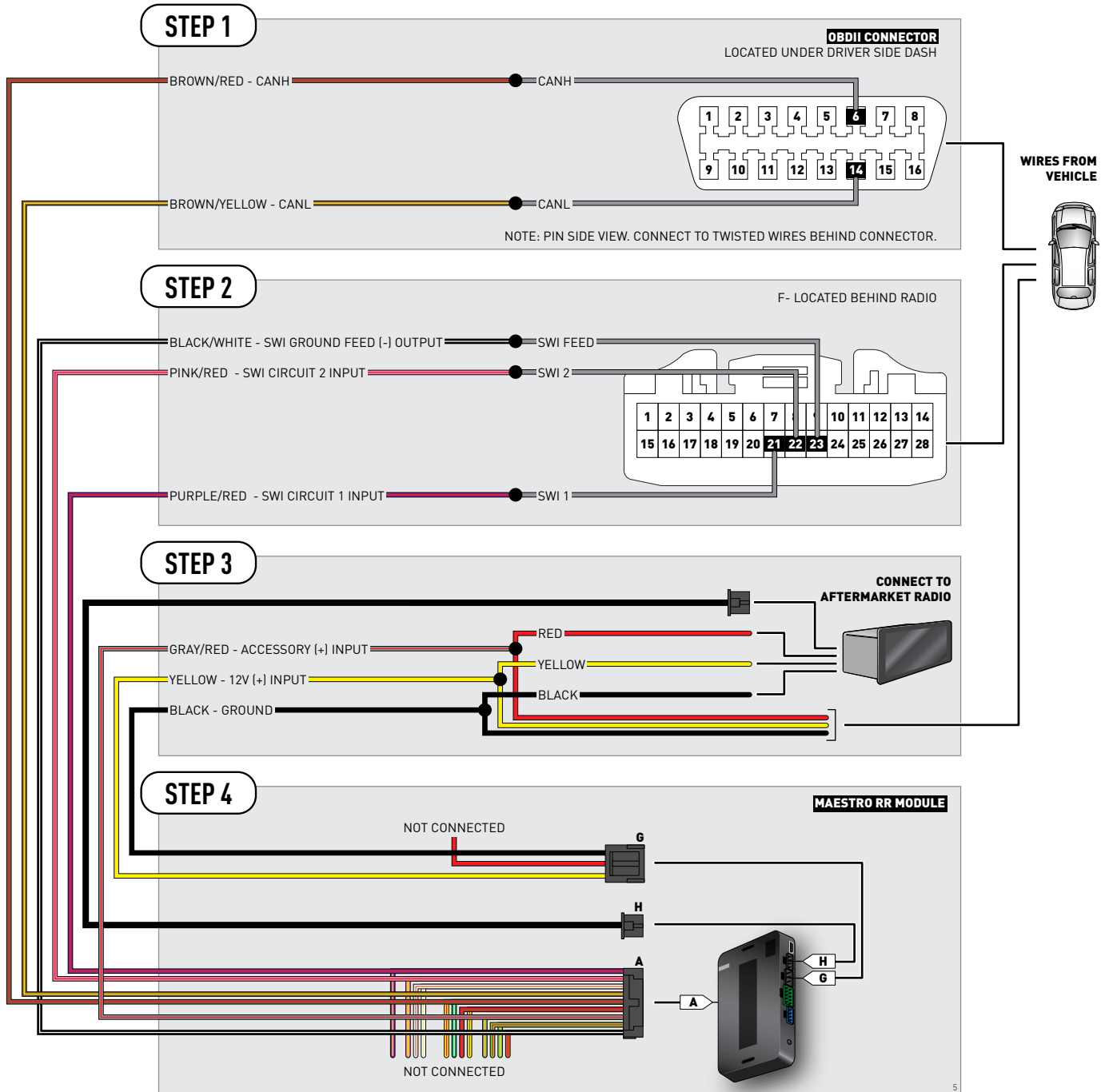
 support@idatalink.com

 maestro.idatalink.com/support
www.12voltdata.com/forum

TABLE OF CONTENTS

Wiring Diagram	3
Vehicle Wire Reference Chart	4

WIRING DIAGRAM



VEHICLE WIRE REFERENCE CHART

Wire Description	Connector Name	Connector Color	Connector Type	Position	Wire Color	Polarity	Wire Location
CanH	A	~	16 pin	6	Red	[DATA]	OBDII connector, under driver side dash
CanL	A	~	16 pin	14	Blue	[DATA]	OBDII connector, under driver side dash
SWI 1	F	~	28 pin	21	Brown/Black	[DATA]	Behind radio
SWI 2	F	~	28 pin	22	Blue/Yellow	[DATA]	Behind radio
SWI Feed	F	~	28 pin	23	Yellow	(-)	Behind radio



INSTALL GUIDE SUBARU WRX STI WITH NAV 2008-2015

RETAINS STEERING WHEEL CONTROLS AND ADDS GAUGES



PRODUCTS REQUIRED

iDatalink Maestro RR Radio Replacement Interface
iDatalink Compatible Radio

OPTIONAL ACCESSORIES

None

PROGRAMMED FIRMWARE

ADS-RR(SI)-SUB01-DS

NOTICE: Automotive Data Solutions Inc. (ADS) recommends having this installation performed by a certified technician. Logos and trademarks used here in are the properties of their respective owners.

WELCOME

Congratulations on the purchase of your iDatalink Maestro RR Radio replacement solution. You are now a few simple steps away from enjoying your new car radio with enhanced features.

Before starting your installation, please ensure that your iDatalink Maestro module is programmed with the correct firmware for your vehicle and that you carefully review the install guide.

Please note that Maestro RR will only retain functionalities that were originally available in the vehicle.

NEED HELP?

 **1 866 427-2999**

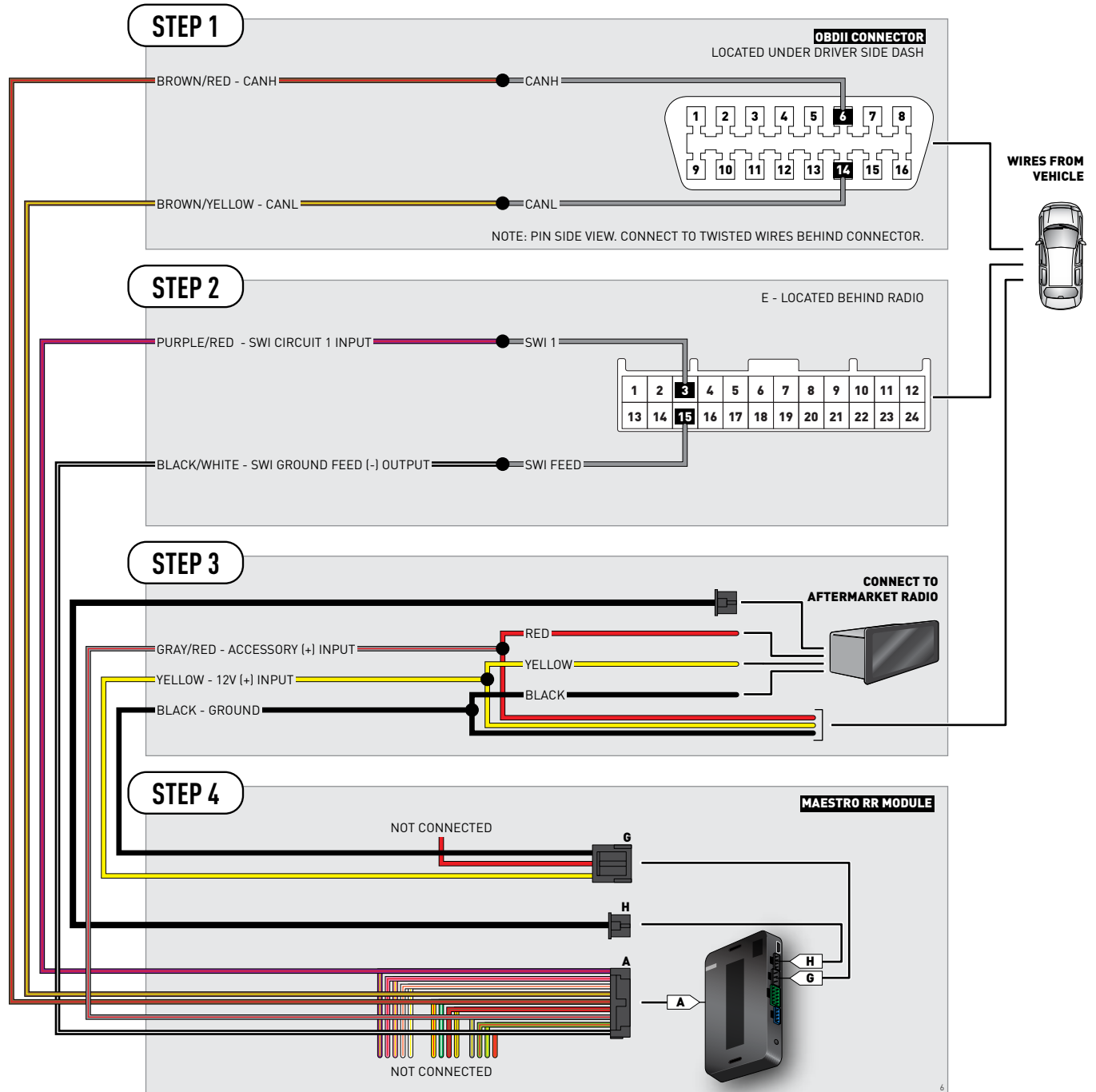
 support@idatalink.com

 maestro.idatalink.com/support
www.12voltdata.com/forum

TABLE OF CONTENTS

Wiring Diagram	3
Vehicle Wire Reference Chart	4

WIRING DIAGRAM



VEHICLE WIRE REFERENCE CHART

Wire Description	Connector Name	Connector Color	Connector Type	Position	Wire Color	Polarity	Wire Location
CanH	A	~	16 pin	6	Red	(DATA)	OBDII connector, under driver side dash
CanL	A	~	16 pin	14	Blue	(DATA)	OBDII connector, under driver side dash
SWI 1	E	~	24 pin	3	Brown	(DATA)	Behind radio
SWI Feed	E	~	24 pin	15	Yellow	(-)	Behind radio



INSTALL GUIDE SUBARU WRX STI WITHOUT NAV 2008-2015

RETAINS STEERING WHEEL CONTROLS AND ADDS GAUGES



PRODUCTS REQUIRED

iDatalink Maestro RR Radio Replacement Interface
iDatalink Compatible Radio

OPTIONAL ACCESSORIES

None

PROGRAMMED FIRMWARE

ADS-RR(SI)-SUB01-DS

NOTICE: Automotive Data Solutions Inc. (ADS) recommends having this installation performed by a certified technician. Logos and trademarks used here in are the properties of their respective owners.

WELCOME

Congratulations on the purchase of your iDatalink Maestro RR Radio replacement solution. You are now a few simple steps away from enjoying your new car radio with enhanced features.

Before starting your installation, please ensure that your iDatalink Maestro module is programmed with the correct firmware for your vehicle and that you carefully review the install guide.

Please note that Maestro RR will only retain functionalities that were originally available in the vehicle.

NEED HELP?

 **1 866 427-2999**

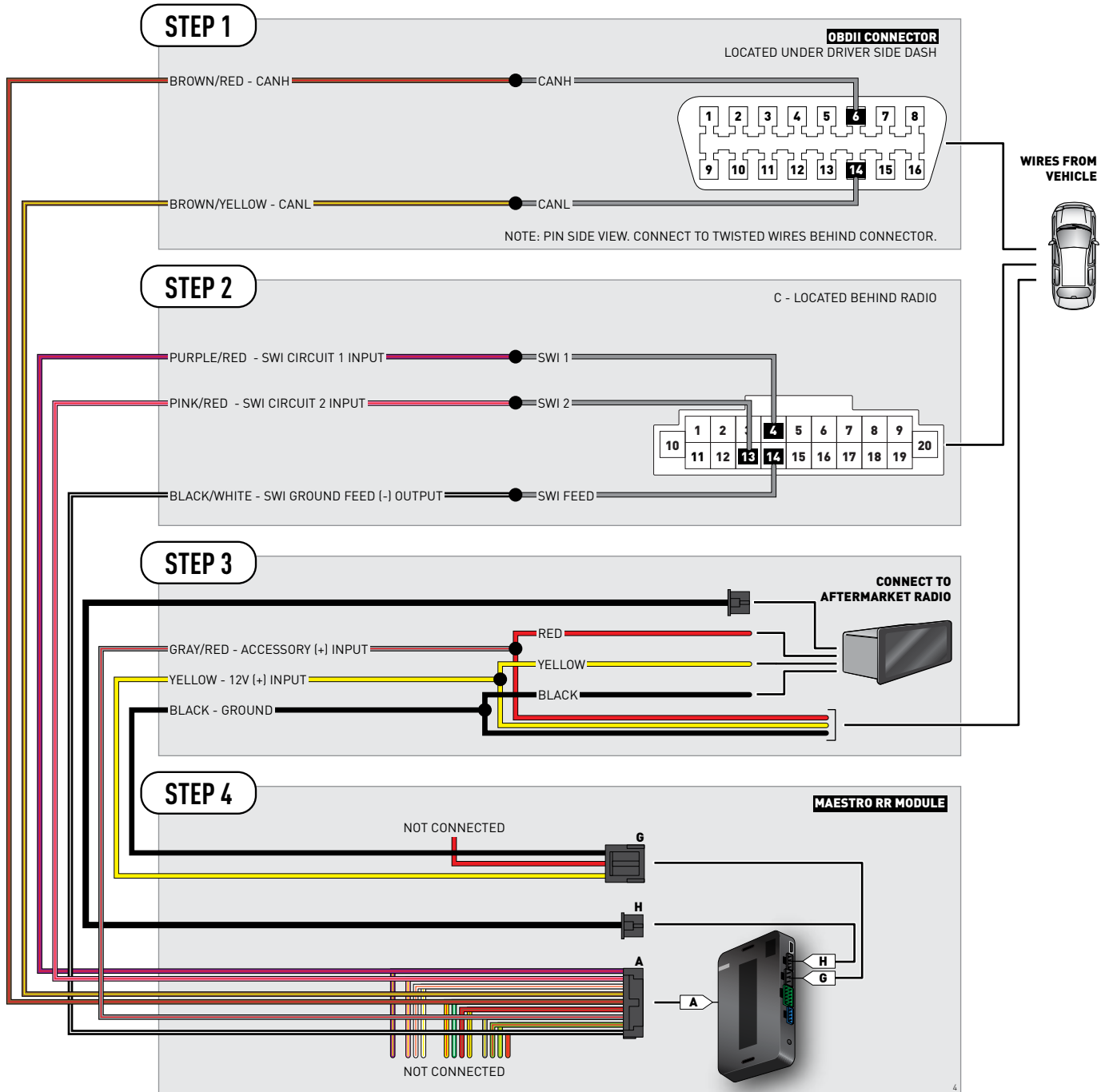
 support@idatalink.com

 maestro.idatalink.com/support
www.12voltdata.com/forum

TABLE OF CONTENTS

Wiring Diagram	3
Vehicle Wire Reference Chart	4

WIRING DIAGRAM



VEHICLE WIRE REFERENCE CHART

Wire Description	Connector Name	Connector Color	Connector Type	Position	Wire Color	Polarity	Wire Location
CanH	A	~	16 pin	6	Red	(DATA)	OBDII connector, under driver side dash
CanL	A	~	16 pin	14	Blue	(DATA)	OBDII connector, under driver side dash
SWI 1	C	~	20 pin	4	Brown	(DATA)	Behind radio
SWI 2	C	~	20 pin	13	Blue/White	(DATA)	Behind radio
SWI Feed	C	~	20 pin	14	Yellow	(-)	Behind radio



INSTALL GUIDE SUBARU WRX WITH NAV 2008-2015

RETAINS STEERING WHEEL CONTROLS AND ADDS GAUGES



PRODUCTS REQUIRED

iDatalink Maestro RR Radio Replacement Interface
iDatalink Compatible Radio

OPTIONAL ACCESSORIES

None

PROGRAMMED FIRMWARE

ADS-RR(SI)-SUB01-DS

NOTICE: Automotive Data Solutions Inc. (ADS) recommends having this installation performed by a certified technician. Logos and trademarks used here in are the properties of their respective owners.

WELCOME

Congratulations on the purchase of your iDatalink Maestro RR Radio replacement solution. You are now a few simple steps away from enjoying your new car radio with enhanced features.

Before starting your installation, please ensure that your iDatalink Maestro module is programmed with the correct firmware for your vehicle and that you carefully review the install guide.

Please note that Maestro RR will only retain functionalities that were originally available in the vehicle.

NEED HELP?

 **1 866 427-2999**

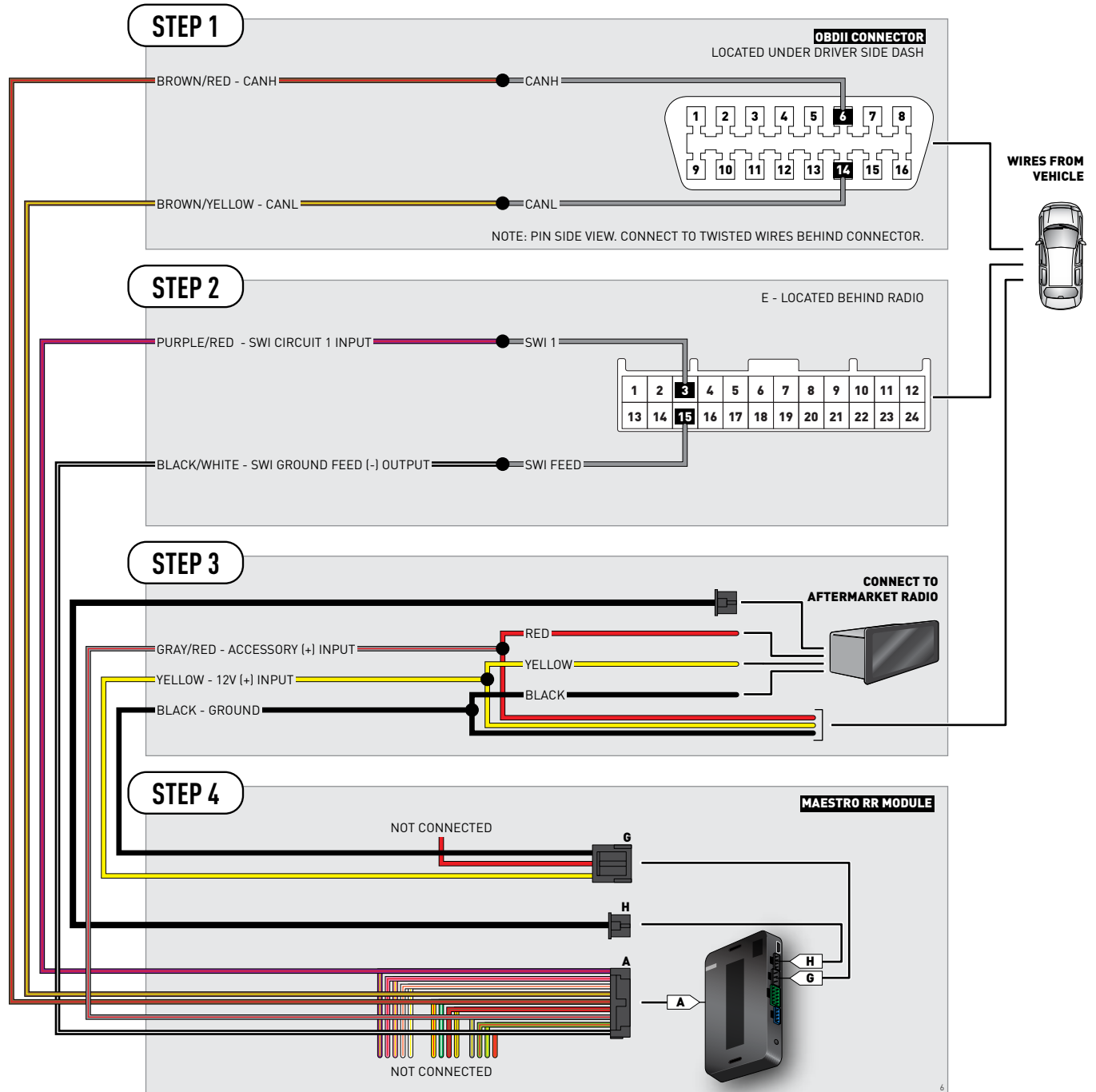
 support@idatalink.com

 maestro.idatalink.com/support
www.12voltdata.com/forum

TABLE OF CONTENTS

Wiring Diagram	3
Vehicle Wire Reference Chart	4

WIRING DIAGRAM



VEHICLE WIRE REFERENCE CHART

Wire Description	Connector Name	Connector Color	Connector Type	Position	Wire Color	Polarity	Wire Location
CanH	A	~	16 pin	6	Red	(DATA)	OBDII connector, under driver side dash
CanL	A	~	16 pin	14	Blue	(DATA)	OBDII connector, under driver side dash
SWI 1	E	~	24 pin	3	Brown	(DATA)	Behind radio
SWI Feed	E	~	24 pin	15	Yellow	(-)	Behind radio



INSTALL GUIDE SUBARU WRX WITHOUT NAV 2008-2015

RETAINS STEERING WHEEL CONTROLS AND ADDS GAUGES



PRODUCTS REQUIRED

iDatalink Maestro RR Radio Replacement Interface
iDatalink Compatible Radio

OPTIONAL ACCESSORIES

None

PROGRAMMED FIRMWARE

ADS-RR(SI)-SUB01-DS

NOTICE: Automotive Data Solutions Inc. (ADS) recommends having this installation performed by a certified technician. Logos and trademarks used here in are the properties of their respective owners.

WELCOME

Congratulations on the purchase of your iDatalink Maestro RR Radio replacement solution. You are now a few simple steps away from enjoying your new car radio with enhanced features.

Before starting your installation, please ensure that your iDatalink Maestro module is programmed with the correct firmware for your vehicle and that you carefully review the install guide.

Please note that Maestro RR will only retain functionalities that were originally available in the vehicle.

NEED HELP?

 **1 866 427-2999**

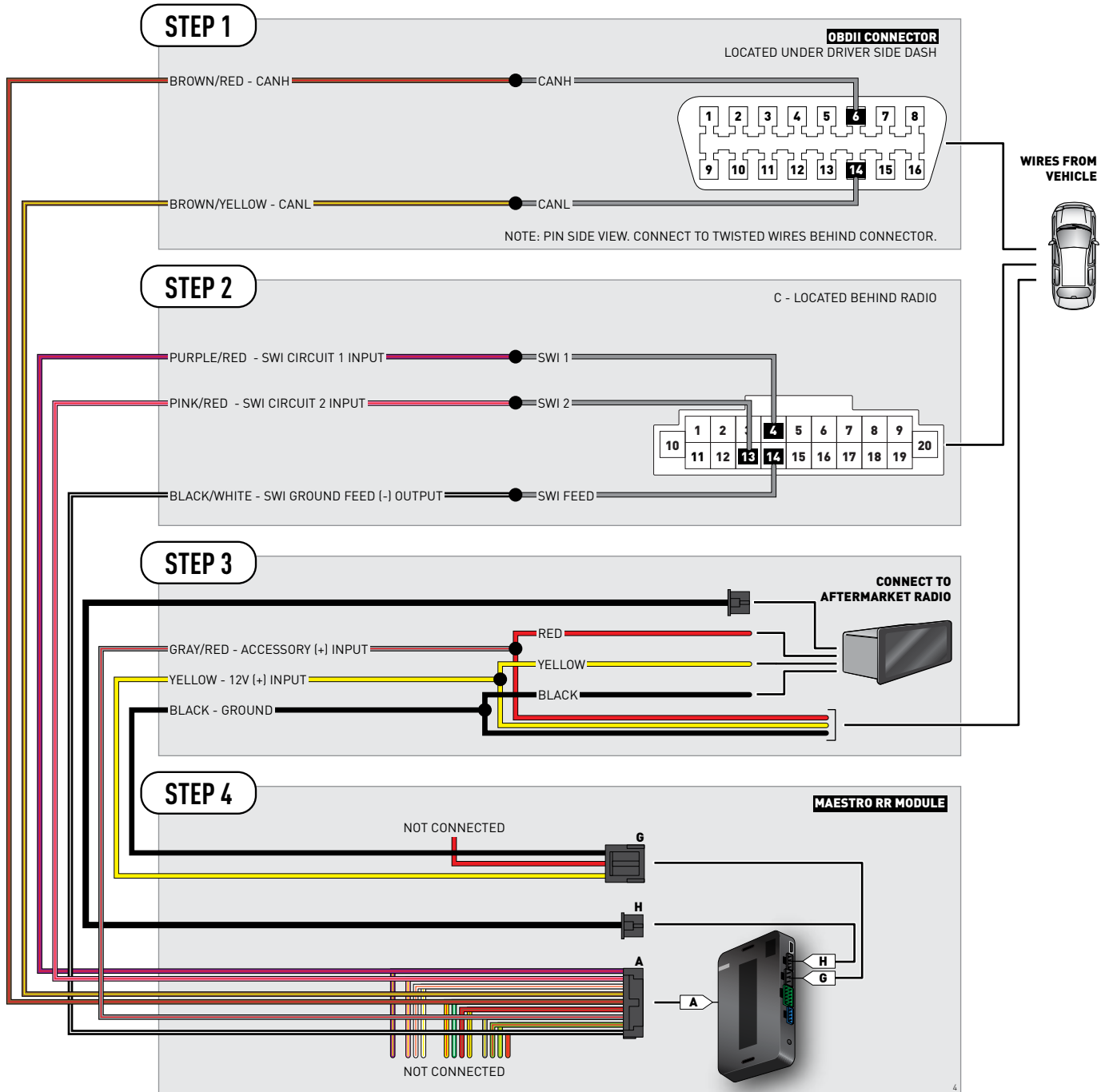
 support@idatalink.com

 maestro.idatalink.com/support
www.12voltdata.com/forum

TABLE OF CONTENTS

Wiring Diagram	3
Vehicle Wire Reference Chart	4

WIRING DIAGRAM



VEHICLE WIRE REFERENCE CHART

Wire Description	Connector Name	Connector Color	Connector Type	Position	Wire Color	Polarity	Wire Location
CanH	A	~	16 pin	6	Red	[DATA]	OBDII connector, under driver side dash
CanL	A	~	16 pin	14	Blue	[DATA]	OBDII connector, under driver side dash
SWI 1	C	~	20 pin	4	Brown	[DATA]	Behind radio
SWI 2	C	~	20 pin	13	Blue/White	[DATA]	Behind radio
SWI Feed	C	~	20 pin	14	Yellow	(-)	Behind radio



INSTALL GUIDE SUBARU XV CROSSTREK WITH NAV 2013-2014

RETAINS STEERING WHEEL CONTROLS AND ADDS GAUGES



PRODUCTS REQUIRED

iDatalink Maestro RR Radio Replacement Interface
iDatalink Compatible Radio

OPTIONAL ACCESSORIES

None

PROGRAMMED FIRMWARE

ADS-RR(SI)-SUB01-DS

NOTICE: Automotive Data Solutions Inc. (ADS) recommends having this installation performed by a certified technician. Logos and trademarks used here in are the properties of their respective owners.

WELCOME

Congratulations on the purchase of your iDatalink Maestro RR Radio replacement solution. You are now a few simple steps away from enjoying your new car radio with enhanced features.

Before starting your installation, please ensure that your iDatalink Maestro module is programmed with the correct firmware for your vehicle and that you carefully review the install guide.

Please note that Maestro RR will only retain functionalities that were originally available in the vehicle.

NEED HELP?

 **1 866 427-2999**

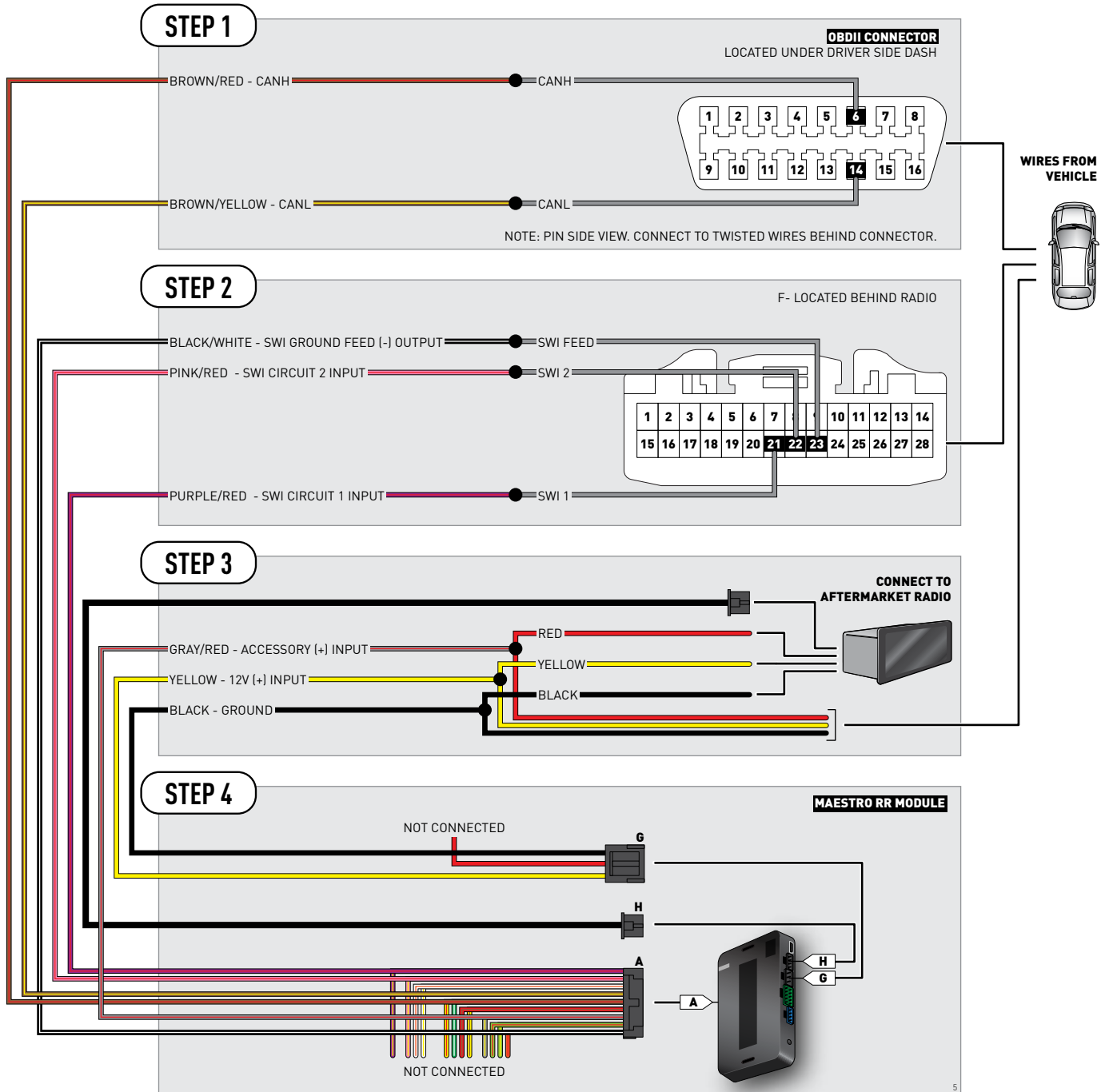
 support@idatalink.com

 maestro.idatalink.com/support
www.12voltdata.com/forum

TABLE OF CONTENTS

Wiring Diagram	3
Vehicle Wire Reference Chart	4

WIRING DIAGRAM



VEHICLE WIRE REFERENCE CHART

Wire Description	Connector Name	Connector Color	Connector Type	Position	Wire Color	Polarity	Wire Location
CanH	A	~	16 pin	6	Red	[DATA]	OBDII connector, under driver side dash
CanL	A	~	16 pin	14	Blue	[DATA]	OBDII connector, under driver side dash
SWI 1	F	~	28 pin	21	Violet/White	[DATA]	Behind radio
SWI 2	F	~	28 pin	22	Blue/White	[DATA]	Behind radio
SWI Feed	F	~	28 pin	23	Yellow	(-)	Behind radio



INSTALL GUIDE SUBARU XV CROSSTREK WITHOUT NAV 2013-2014

RETAINS STEERING WHEEL CONTROLS AND ADDS GAUGES



PRODUCTS REQUIRED

iDatalink Maestro RR Radio Replacement Interface
iDatalink Compatible Radio

OPTIONAL ACCESSORIES

None

PROGRAMMED FIRMWARE

ADS-RR(SI)-SUB01-DS

NOTICE: Automotive Data Solutions Inc. (ADS) recommends having this installation performed by a certified technician. Logos and trademarks used here in are the properties of their respective owners.


WELCOME

Congratulations on the purchase of your iDatalink Maestro RR Radio replacement solution. You are now a few simple steps away from enjoying your new car radio with enhanced features.

Before starting your installation, please ensure that your iDatalink Maestro module is programmed with the correct firmware for your vehicle and that you carefully review the install guide.

Please note that Maestro RR will only retain functionalities that were originally available in the vehicle.

NEED HELP?

 **1 866 427-2999**

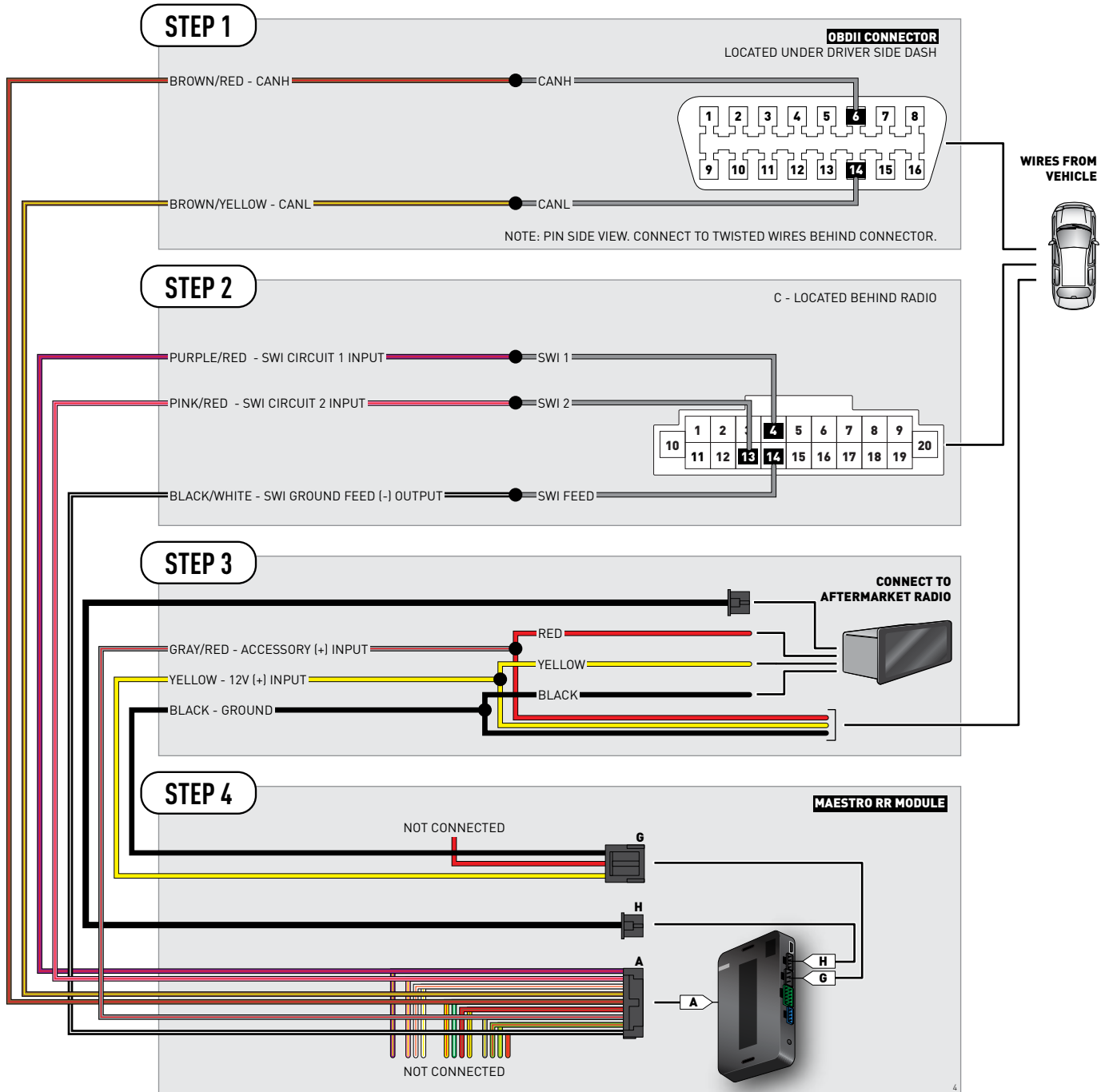
 support@idatalink.com

 maestro.idatalink.com/support
www.12voltdata.com/forum

TABLE OF CONTENTS

Wiring Diagram	3
Vehicle Wire Reference Chart	4

WIRING DIAGRAM



VEHICLE WIRE REFERENCE CHART

Wire Description	Connector Name	Connector Color	Connector Type	Position	Wire Color	Polarity	Wire Location
CanH	A	~	16 pin	6	Red	(DATA)	OBDII connector, under driver side dash
CanL	A	~	16 pin	14	Blue	(DATA)	OBDII connector, under driver side dash
SWI 1	C	~	20 pin	4	Brown	(DATA)	Behind radio
SWI 2	C	~	20 pin	13	Blue/White	(DATA)	Behind radio
SWI Feed	C	~	20 pin	14	Yellow	(-)	Behind radio