



HOW TO USE THIS INSTALL GUIDE

- 1** Open the Bookmarks menu and find your vehicle OR scroll down until you find the install guide for your vehicle.
- 2** Print only the pages for your vehicle using the advanced options in the Print menu.
- 3** Install your Maestro RR according to the guide for your vehicle.

WARNING

Pressing the printer icon or “quick printing” this document will print all of the guides in this compilation.

2016-2018
FORD ESCAPE
WITH 4,3" SCREEN

RETAINS STEERING WHEEL CONTROLS, FACTORY AMPLIFIER, AND MORE!



PRODUCTS REQUIRED

iDatalink Maestro RR or RR2 Radio Replacement Interface
iDatalink Maestro FO2 Installation Harness

PROGRAMMED FIRMWARE

ADS-RR(SR)-FOR02B-DS

ADDITIONAL RESOURCES

[Maestro RR2 Programmable Outputs Guide](#)

OPTIONAL ACCESSORIES



Click here for:

[Radar Integration Installation Guide](#)

[Radar Integration Owner's Guide for Kenwood and JVC Radios](#)

WELCOME

Congratulations on the purchase of your iDatalink Maestro RR Radio replacement solution. You are now a few simple steps away from enjoying your new car radio with enhanced features.

Before starting your installation, please ensure that your iDatalink Maestro module is programmed with the correct firmware for your vehicle and that you carefully review the install guide.

Please note that Maestro RR will only retain functionalities that were originally available in the vehicle.

NEED HELP?

 1 866 427-2999

 maestro.support@idatalink.com

 maestro.idatalink.com/support
www.12voltdata.com/forum

TABLE OF CONTENTS

Installation Instructions	3
Wiring Diagram	4
Radio Wire Reference Chart	5
Troubleshooting Table	6

INSTALLATION INSTRUCTIONS

STEP 1

- Unbox the aftermarket radio and locate its main harness.
- Connect the wires shown on the next page from aftermarket radio main harness to the F02 T-harness and match the wire functions.

STEP 2

- Connect the factory harness to the F02 T-harness.

STEP 3

- Connect the screen harness to the F02 T-harness.

STEP 4

- Plug the OBDII connector into the OBDII of the vehicle.

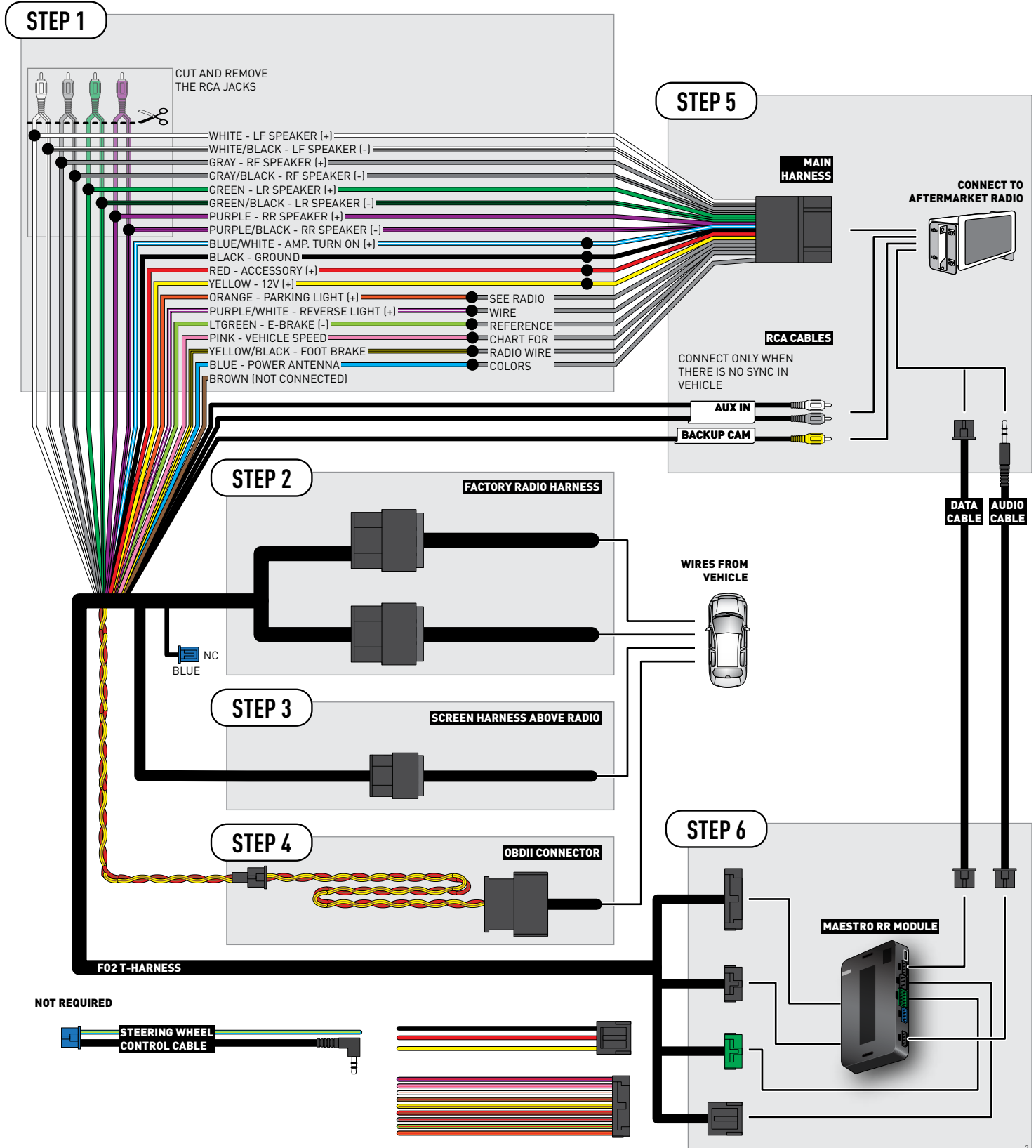
STEP 5

- Plug the aftermarket radio harnesses into the aftermarket radio.
- Connect the auxiliary and backup camera RCA cables into the aftermarket radio (if equipped).
- Plug the Data cable to the data port of the aftermarket radio.
- Insert the Audio cable into the iDatalink 3.5 mm audio jack of the aftermarket radio (If the radio does not have a dedicated iDatalink audio input, plug into the AUX port of the radio).

STEP 6

- Connect all the harnesses to the Maestro RR module then test your installation.

WIRING DIAGRAM



RADIO WIRE REFERENCE CHART

Wire Description	Polarity	Wire Color on Maestro T-Harness	Wire Color on Alpine cable	Wire Color on Kenwood cable	Wire Color on Pioneer cable	Wire Color on Sony cable
Illumination	(+)	Orange	N/A	Orange/White	Orange/White	Orange
Reverse Light	(+)	Purple/White	Orange/White	Purple/White	Purple/White	Purple/White
E-Brake	(-)	Lt Green	Yellow/Blue	Lt Green	Lt Green	Lt Green
Foot Brake	(+)	Yellow/Black	Yellow/Black	N/A	Pink	N/A
VSS (vehicle speed sensor)	(DATA)	Pink	Green/White	N/A	N/A	N/A
Power Antenna	(+)	Blue	Blue	Blue	N/A	N/A

TROUBLESHOOTING TABLE

PROBLEM	SOLUTION
Gauges do not work, radio shows OBD2 Error 1 or Error 2.	<p>Ensure OBDII connector is securely attached to the OBD2 connector of the vehicle.</p> <p>If you hardwired connections at the OBDII, check connections at the OBDII connector. Make sure the RED/BROWN wire is on PIN 6 and the YELLOW/BROWN wire is connected to PIN 14 of the OBDII connector. Do not use T-Taps. Soldering or military splicing methods are recommended.</p> <p>Reset the RR.</p>
The light on the Maestro is blinking RED TWICE .	<p>Ensure the 4-pin data cable is connected between the radio and the RR, and that it is plugged into the black port on the Maestro RR. The red and blue ports on the RR should be empty.</p> <p>Make sure the correct radio model and serial number were entered during the flash. Verify the radio's serial number entered during the flash matches what is listed on the radio screen. This can be found in the settings of the radio, listed as Device Id, Device Number, or Serial Number.</p>
The light on the Maestro is flashing RED ONCE .	There is no firmware on the module; flash the RR module.

MAESTRO RR RESET PROCEDURE:

Turn the key to the OFF position, then disconnect all connectors from the module.
 Press and hold the module's programming button and connect all the connectors back to the module. Wait, the module's LED will flash RED rapidly (this may take up to 10 seconds).
 Release the programming button. Wait, the LED will turn solid GREEN for 2 seconds to show the reset was successful.

TECHNICAL ASSISTANCE

Phone: 1-866-427-2999
 Email: maestro.support@idatalink.com
 Web: maestro.idatalink.com/support add www.12voldata.com/forum/

IMPORTANT: To ensure proper operation, the aftermarket radio needs to have the latest firmware from the manufacturer. Please visit the radio manufacturer's website and look for any updates pertaining to your radio.

2018

FORD F-SERIES SUPER DUTY
XL, BASE WITH NO CD PLAYER

RETAINS STEERING WHEEL CONTROLS, FACTORY AMPLIFIER, AND MORE!



PRODUCTS REQUIRED

iDatalink Maestro RR or RR2 Radio Replacement Interface
iDatalink Maestro FO2 Installation Harness

PROGRAMMED FIRMWARE

ADS-RR(SR)-FOR02B-DS

ADDITIONAL RESOURCES

[Maestro RR2 Programmable Outputs Guide](#)

OPTIONAL ACCESSORIES



Click here for:

[Radar Integration Installation Guide](#)

[Radar Integration Owner's Guide for Kenwood and JVC Radios](#)

WELCOME

Congratulations on the purchase of your iDatalink Maestro RR Radio replacement solution. You are now a few simple steps away from enjoying your new car radio with enhanced features.

Before starting your installation, please ensure that your iDatalink Maestro module is programmed with the correct firmware for your vehicle and that you carefully review the install guide.

Please note that Maestro RR will only retain functionalities that were originally available in the vehicle.

NEED HELP?

 1 866 427-2999

 maestro.support@idatalink.com

 maestro.idatalink.com/support
www.12voltdata.com/forum

TABLE OF CONTENTS

Installation Instructions	3
Wiring Diagram	4
Radio Wire Reference Chart	5
Troubleshooting Table	6

INSTALLATION INSTRUCTIONS

STEP 1

- Unbox the aftermarket radio and locate its main harness.
- Connect the wires shown on the next page from aftermarket radio main harness to the F02 T-harness and match the wire functions.

STEP 2

- Connect the factory harness to the F02 T-harness.

STEP 3

- Plug the OBDII connector into the OBDII of the vehicle (located under driver side dash).

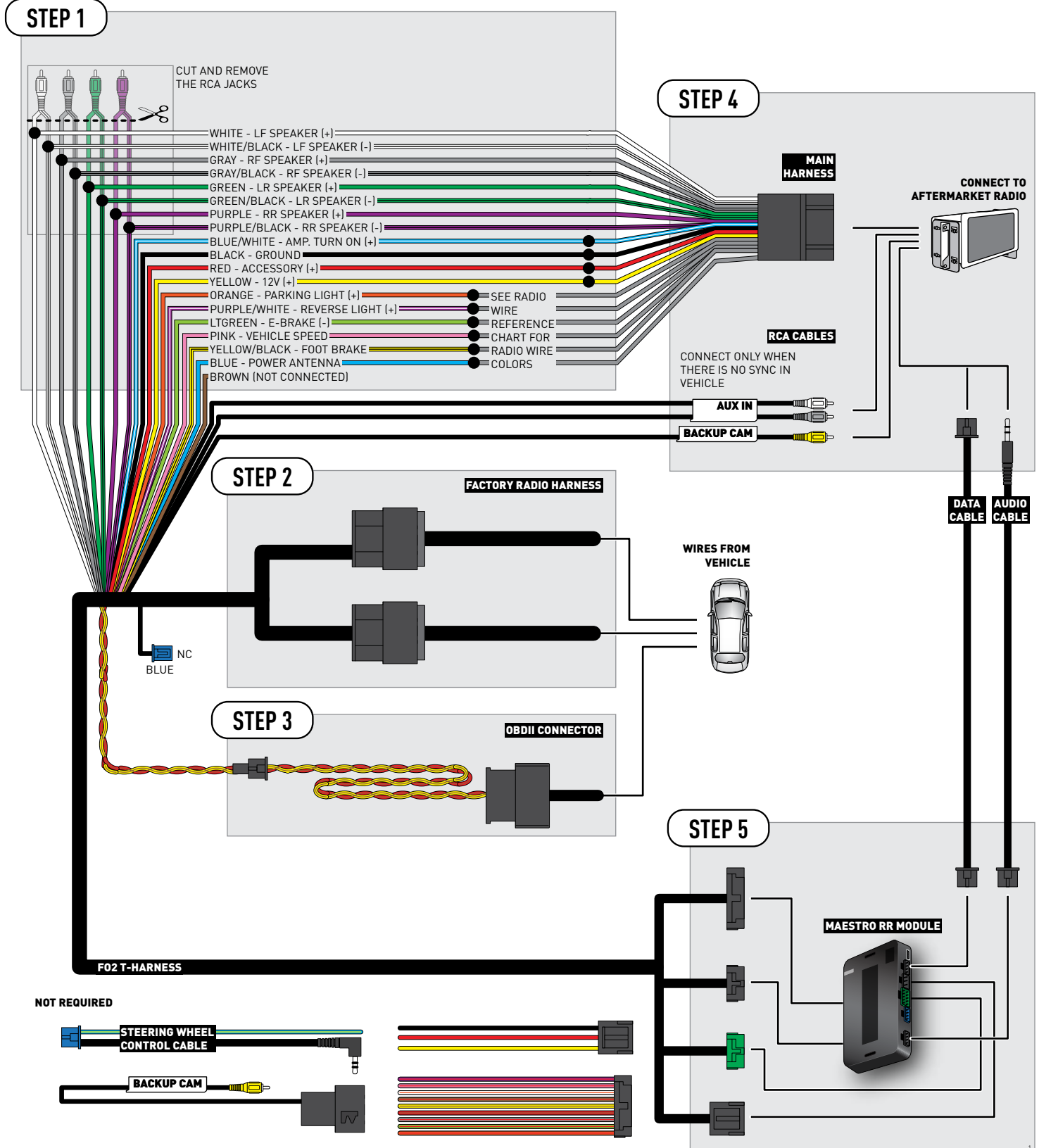
STEP 4

- Plug the aftermarket radio harnesses into the aftermarket radio.
- Connect the auxiliary and backup camera RCA cables into the aftermarket radio (if equipped).
- Plug the Data cable to the data port of the aftermarket radio.
- Insert the Audio cable into the iDataLink 3.5 mm audio jack of the aftermarket radio (If the radio does not have a dedicated iDataLink audio input, plug into the AUX port of the radio).

STEP 5

- Connect all the harnesses to the Maestro RR module then test your installation.

WIRING DIAGRAM



RADIO WIRE REFERENCE CHART

Wire Description	Polarity	Wire Color on Maestro T-Harness	Wire Color on Alpine cable	Wire Color on Kenwood cable	Wire Color on Pioneer cable	Wire Color on Sony cable
Illumination	(+)	Orange	N/A	Orange/White	Orange/White	Orange
Reverse Light	(+)	Purple/White	Orange/White	Purple/White	Purple/White	Purple/White
E-Brake	(-)	Lt Green	Yellow/Blue	Lt Green	Lt Green	Lt Green
Foot Brake	(+)	Yellow/Black	Yellow/Black	N/A	Pink	N/A
VSS (vehicle speed sensor)	(DATA)	Pink	Green/White	N/A	N/A	N/A
Power Antenna	(+)	Blue	Blue	Blue	N/A	N/A

TROUBLESHOOTING TABLE

PROBLEM	SOLUTION
Gauges do not work, radio shows OBD2 Error 1 or Error 2.	<p>Ensure OBDII connector is securely attached to the OBD2 connector of the vehicle.</p> <p>If you hardwired connections at the OBDII, check connections at the OBDII connector. Make sure the RED/BROWN wire is on PIN 6 and the YELLOW/BROWN wire is connected to PIN 14 of the OBDII connector. Do not use T-Taps. Soldering or military splicing methods are recommended.</p> <p>Reset the RR.</p>
The light on the Maestro is blinking RED TWICE .	<p>Ensure the 4-pin data cable is connected between the radio and the RR, and that it is plugged into the black port on the Maestro RR. The red and blue ports on the RR should be empty.</p> <p>Make sure the correct radio model and serial number were entered during the flash. Verify the radio's serial number entered during the flash matches what is listed on the radio screen. This can be found in the settings of the radio, listed as Device Id, Device Number, or Serial Number.</p>
The light on the Maestro is flashing RED ONCE .	There is no firmware on the module; flash the RR module.

MAESTRO RR RESET PROCEDURE:

Turn the key to the OFF position, then disconnect all connectors from the module.
 Press and hold the module's programming button and connect all the connectors back to the module. Wait, the module's LED will flash RED rapidly (this may take up to 10 seconds).
 Release the programming button. Wait, the LED will turn solid GREEN for 2 seconds to show the reset was successful.

TECHNICAL ASSISTANCE

Phone: 1-866-427-2999
 Email: maestro.support@idatalink.com
 Web: maestro.idatalink.com/support add www.12voldata.com/forum/

IMPORTANT: To ensure proper operation, the aftermarket radio needs to have the latest firmware from the manufacturer. Please visit the radio manufacturer's website and look for any updates pertaining to your radio.

RETAINS STEERING WHEEL CONTROLS, FACTORY AMPLIFIER, AND MORE!



PRODUCTS REQUIRED

iDatalink Maestro RR or RR2 Radio Replacement Interface
iDatalink Maestro FO2 Installation Harness

PROGRAMMED FIRMWARE

ADS-RR(SR)-FOR02B-DS

ADDITIONAL RESOURCES

[Maestro RR2 Programmable Outputs Guide](#)

OPTIONAL ACCESSORIES



Click here for:

[Radar Integration Installation Guide](#)

[Radar Integration Owner's Guide for Kenwood and JVC Radios](#)

WELCOME

Congratulations on the purchase of your iDatalink Maestro RR Radio replacement solution. You are now a few simple steps away from enjoying your new car radio with enhanced features.

Before starting your installation, please ensure that your iDatalink Maestro module is programmed with the correct firmware for your vehicle and that you carefully review the install guide.

Please note that Maestro RR will only retain functionalities that were originally available in the vehicle.

NEED HELP?

 1 866 427-2999

 maestro.support@idatalink.com

 maestro.idatalink.com/support
www.12voltdata.com/forum

TABLE OF CONTENTS

Installation Instructions	3
Wiring Diagram	4
Radio Wire Reference Chart	5
Troubleshooting Table	6

INSTALLATION INSTRUCTIONS

STEP 1

- Unbox the aftermarket radio and locate its main harness.
- Connect the wires shown on the next page from aftermarket radio main harness to the F02 T-harness and match the wire functions.

STEP 2

- Connect the factory harness to the F02 T-harness.

STEP 3

- Connect the screen harness to the F02 T-harness.

STEP 4

- Plug the OBDII connector into the OBDII of the vehicle.

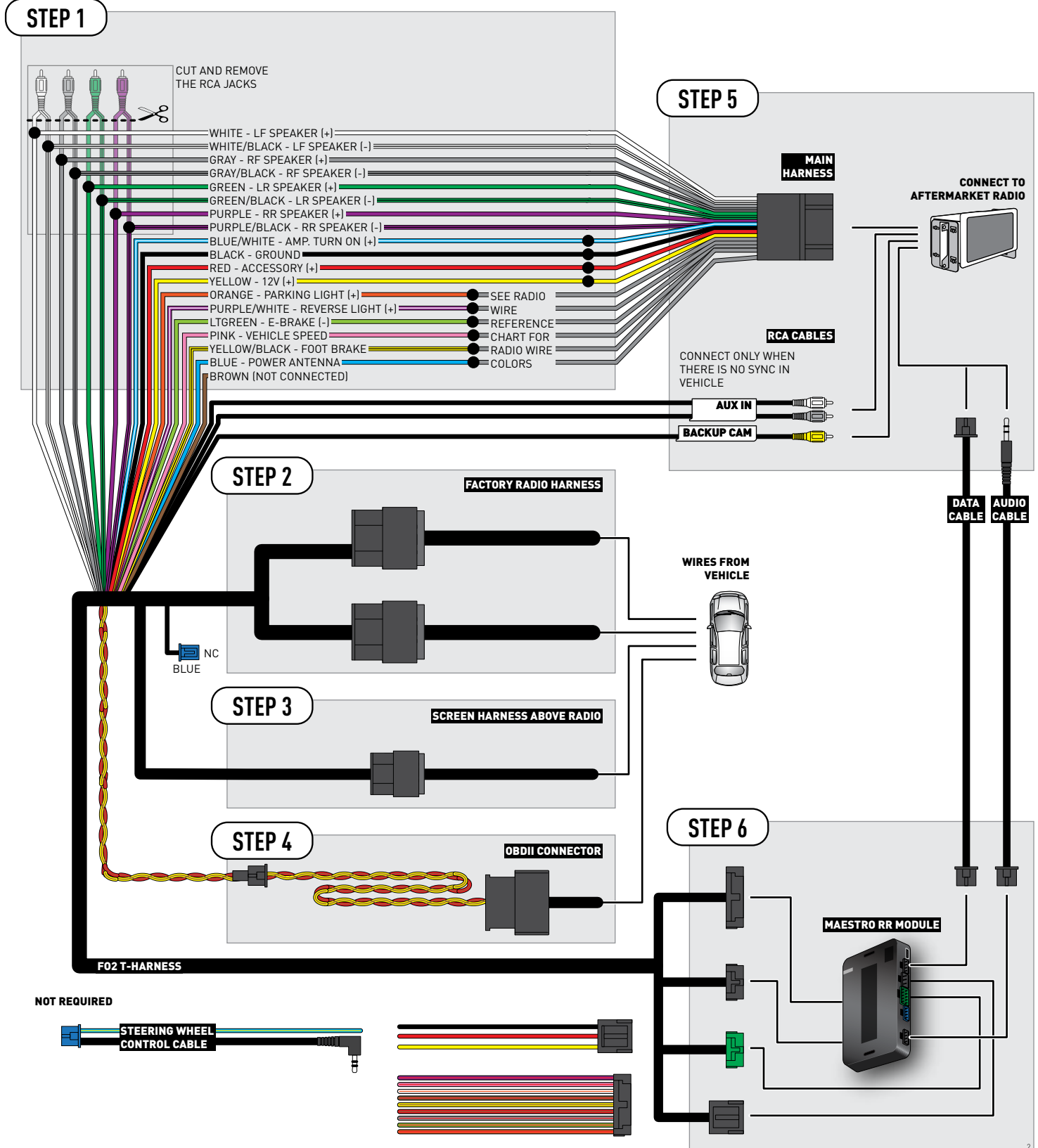
STEP 5

- Plug the aftermarket radio harnesses into the aftermarket radio.
- Connect the auxiliary and backup camera RCA cables into the aftermarket radio (if equipped).
- Plug the Data cable to the data port of the aftermarket radio.
- Insert the Audio cable into the iDatalink 3.5 mm audio jack of the aftermarket radio (If the radio does not have a dedicated iDatalink audio input, plug into the AUX port of the radio).

STEP 6

- Connect all the harnesses to the Maestro RR module then test your installation.

WIRING DIAGRAM



RADIO WIRE REFERENCE CHART

Wire Description	Polarity	Wire Color on Maestro T-Harness	Wire Color on Alpine cable	Wire Color on Kenwood cable	Wire Color on Pioneer cable	Wire Color on Sony cable
Illumination	(+)	Orange	N/A	Orange/White	Orange/White	Orange
Reverse Light	(+)	Purple/White	Orange/White	Purple/White	Purple/White	Purple/White
E-Brake	(-)	Lt Green	Yellow/Blue	Lt Green	Lt Green	Lt Green
Foot Brake	(+)	Yellow/Black	Yellow/Black	N/A	Pink	N/A
VSS (vehicle speed sensor)	(DATA)	Pink	Green/White	N/A	N/A	N/A
Power Antenna	(+)	Blue	Blue	Blue	N/A	N/A

TROUBLESHOOTING TABLE

PROBLEM	SOLUTION
Gauges do not work, radio shows OBD2 Error 1 or Error 2.	<p>Ensure OBDII connector is securely attached to the OBD2 connector of the vehicle.</p> <p>If you hardwired connections at the OBDII, check connections at the OBDII connector. Make sure the RED/BROWN wire is on PIN 6 and the YELLOW/BROWN wire is connected to PIN 14 of the OBDII connector. Do not use T-Taps. Soldering or military splicing methods are recommended.</p> <p>Reset the RR.</p>
The light on the Maestro is blinking RED TWICE .	<p>Ensure the 4-pin data cable is connected between the radio and the RR, and that it is plugged into the black port on the Maestro RR. The red and blue ports on the RR should be empty.</p> <p>Make sure the correct radio model and serial number were entered during the flash. Verify the radio's serial number entered during the flash matches what is listed on the radio screen. This can be found in the settings of the radio, listed as Device Id, Device Number, or Serial Number.</p>
The light on the Maestro is flashing RED ONCE .	There is no firmware on the module; flash the RR module.

MAESTRO RR RESET PROCEDURE:

Turn the key to the OFF position, then disconnect all connectors from the module.
 Press and hold the module's programming button and connect all the connectors back to the module. Wait, the module's LED will flash RED rapidly (this may take up to 10 seconds).
 Release the programming button. Wait, the LED will turn solid GREEN for 2 seconds to show the reset was successful.

TECHNICAL ASSISTANCE

Phone: 1-866-427-2999
 Email: maestro.support@idatalink.com
 Web: maestro.idatalink.com/support add www.12voldata.com/forum/

IMPORTANT: To ensure proper operation, the aftermarket radio needs to have the latest firmware from the manufacturer. Please visit the radio manufacturer's website and look for any updates pertaining to your radio.